

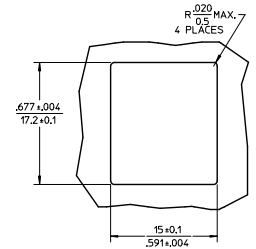
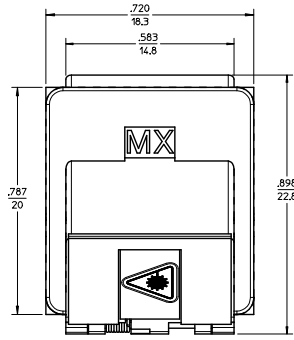
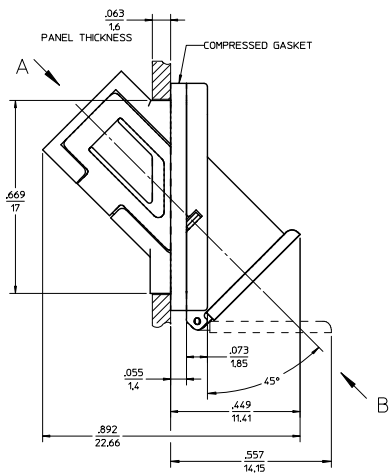
Excellent Integrated System Limited

Stocking Distributor

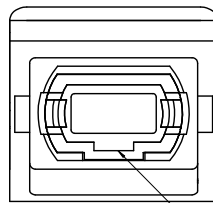
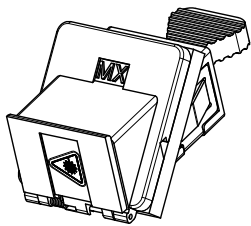
Click to view price, real time Inventory, Delivery & Lifecycle Information:

[Molex Connector Corporation](#)
[1061144000](#)

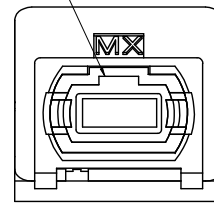
For any questions, you can email us directly:
sales@integrated-circuit.com



RECOMMENDED MOUNTING PATTERN
SCALE 2.5:1
FOR .063 THICK PANEL
1.6



VIEW A
(DUST CAP NOT SHOWN)



VIEW B
(SHUTTER NOT SHOWN)

NOTES:

1. DIMENSIONS SHOWN ARE FOR REFERENCE ONLY.
2. CONDUCTIVE FABRIC OVER FOAM GASKET (SHOWN COMPRESSED) IS SUPPLIED WITH THE PART.
3. OUTER PARTS ARE DECAST.
4. DUST CAP SHOWN IN ISOMETRIC VIEW ONLY.
5. ADAPTERS TO BE PACKAGED IN TRAY.

ENTER DESCRIPTION EC NO: MF2013-0747 DRAWN: BEONJAK 2013/06/04 CHKD: [blank] APPR: GUMIN 2013/06/14 A4	QUALITY SYMBOLS ▽=0 ▽=0	GENERAL TOLERANCES (UNLESS SPECIFIED)		DIMENSION STYLE IN/MM		SCALE 4:1	DESIGN UNITS METRIC	THIRD ANGLE PROJECTION		
		4 PLACES ± ---	± ---	mm	INCH	DRAWN BY PGIBLIN	DATE 2005/11/18	TITLE MPO EMI ADAPTER 45 DEGREE 45 DEGREE (SNAP MOUNT)		
		3 PLACES ± ---	± ---	mm	INCH	CHECKED BY	DATE			
		2 PLACES ± ---	± ---	mm	INCH	APPROVED BY	DATE	MOLEX INCORPORATED		SHEET NO. 1 OF 1
1 PLACE ± ---	± ---	ANGULAR ± 1/2°		MATERIAL NO. 1061144000		DOCUMENT NO. SD-106114-4000		THIS DRAWING CONTAINS INFORMATION THAT IS PROPRIETARY TO MOLEX INCORPORATED AND SHOULD NOT BE USED WITHOUT WRITTEN PERMISSION		
DRAFT WHERE APPLICABLE MUST REMAIN WITHIN DIMENSIONS										