



Excellent Integrated System Limited

Stocking Distributor

Click to view price, real time Inventory, Delivery & Lifecycle Information:

[Amphenol RF](#)
[000-6950](#)

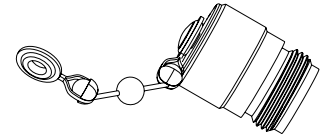
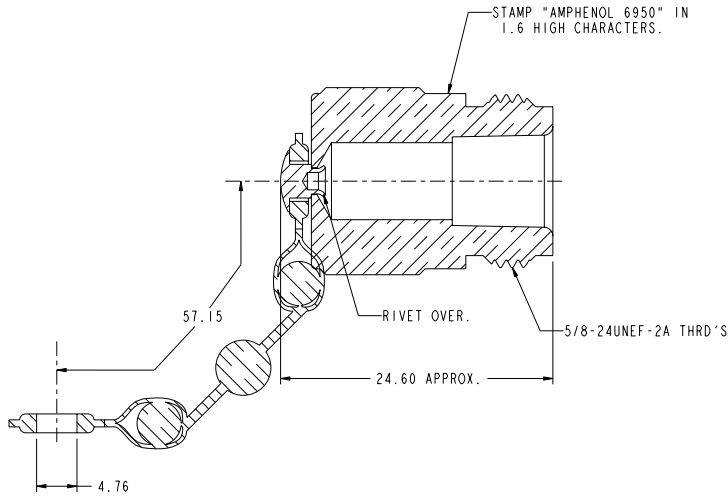
For any questions, you can email us directly:

sales@integrated-circuit.com

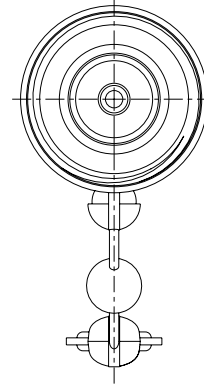
NOTES:
 1. MATERIALS AND FINISHES:
 BODY -- BRASS, ALBALOY PLATING
 SHOULDER RIVET -- BRASS, NICKEL PLATING
 CHAIN ASSEMBLY -- BRASS, NICKEL PLATING

THIRD ANGLE PROJ.

REVISIONS				
REV	DESCRIPTION	DATE	ECO	APPR
H	REVISED PHT	1-16-75		TTTB
J	ADDED NOTES 5 # 6	9-25-92		DR
K	RELEASE IN ARFA.	03-Apr-09		SCOTT



SCALE 1.500



CUSTOMER OUTLINE DRAWING
 ALL OTHER SHEETS ARE FOR INTERNAL USE ONLY

UNLESS OTHERWISE SPECIFIED, DIMENSIONS ARE IN METRIC AND TOLERANCES ARE: 0 - 6mm ±0.1mm 6 - 30mm ±0.2mm 30 - 120mm ±0.3mm ANGLES ±1° NOTICE - These drawings, specifications, or other data (1) are, and remain the property of Amphenol Corp. (2) must be returned upon request; and (3) are confidential and not to be disclosed to any person other than those to whom they are given by Amphenol Corp. The furnishing of these drawings, specifications, or other data by Amphenol Corp., or to any other person to anyone for any purpose is not to be regarded by implication or otherwise in any manner licensing, granting rights to permitting such holder, or any other person to manufacture, use or sell any product, process or design, patented or otherwise, that may in any way be related to or disclosed by said drawings, specifications, or other data.	MATERIAL	DRAWN J.R.B	DATE 5-20-64	TITLE TYPE "N" PLUG DUST CAP		Amphenol RF Danbury CT USA, Tainan, Taiwan, Shenzhen, China www.amphenolrf.com		
	REFERENCE	ENGINEER TTTB	DATE 5-21-64	SCALE: 3.0:1.0		DRAWING NO. 6950		
	FINISH	APPROVED WMS	DATE 5-22-64	DWG SIZE B	CODE ID 74868	SHEET 1	OF 1	ITEM NO. 6950
		CAD FILE 1:1\N\6950			REV K			PART NO. 6950