



## **Excellent Integrated System Limited**

Stocking Distributor

Click to view price, real time Inventory, Delivery & Lifecycle Information:

[Amphenol RF](#)  
[531-40051](#)

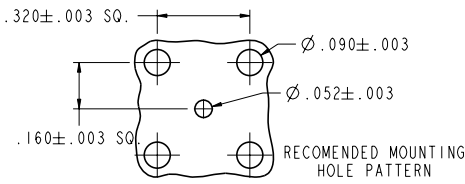
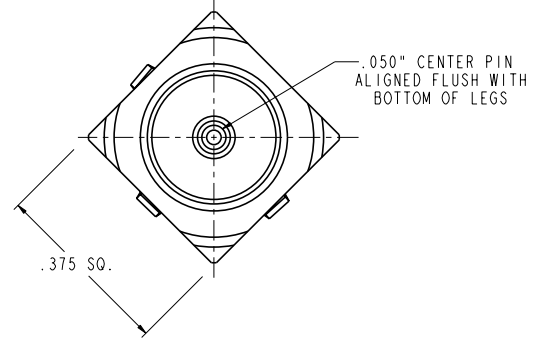
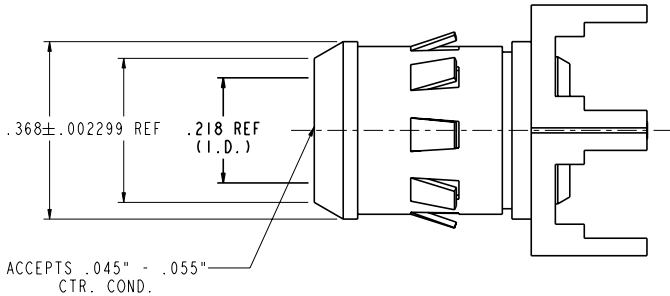
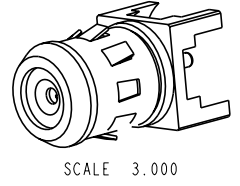
For any questions, you can email us directly:  
[sales@integrated-circuit.com](mailto:sales@integrated-circuit.com)

531-40051		REVISIONS			
DRAWING NO.	REV	DESCRIPTION	DATE	ECO	APPR
THIRD ANGLE PROJ.	⊕	A	OFFICIAL ENG. RELEASE TO MFG.	2/4/98	42337 JW

**NOTES:**

- MATERIALS OF CONSTRUCTION  
 BODY - BRASS, BRIGHT ACID TIN PLATED  
 CONTACTS - BeCu, GOLD OVER NICKEL PLATED  
 INSULATOR - PTFE

CUSTOMER OUTLINE DRAWING  
 ALL OTHER SHEETS ARE FOR INTERNAL USE ONLY



SCALE 3.000

531-40051-0001	I	I	"G" JACK	SEE S/A
PART NUMBER	QTY.	ITEM	DESCRIPTION	FINISH

UNLESS OTHERWISE SPECIFIED, DIMENSIONS ARE IN INCHES AND TOLERANCES ARE:  
 2 PLACE DECIMAL ±.015 (0.381 mm) 3 PLACE DECIMAL ±.005 (0.127 mm) ANGLES ± 1°  
 NOTICE - These drawings, specifications, or other data (1) are, and remain the property of Amphenol Corp. (2) must be returned upon request; and (3) are confidential and not to be disclosed to any person other than those to whom they are given by Amphenol Corp. The furnishing of these drawings, specifications, or other data by Amphenol Corp., or to any other person for any purpose is not to be regarded by implication or otherwise in any manner licensing, granting rights or permitting such holder or any other person to manufacture, use or sell any product, process or design, patented or otherwise, that may in any way be related to or disclosed by said drawings, specifications, or other data.

MATERIAL	DRAWN	DATE	TITLE
REFERENCE	J. WILKINSON	11-Sep-96	"G" JACK, PCB MOUNT .050" MATING PLUG
	ENGINEER	DATE	
	J. WILKINSON	11-Sep-96	
	APPROVED	DATE	
	T. AUBIN	2/3/98	
	CAD FILE	CODE ID	DWG SIZE
	I:\CATV\FTYPE\531-40051	74868	B

Amphenol Amphenol Corporation Communication and Network Products Division Danbury, CT U.S.A. 06810		SCALE: 5.0:1	SHEET 1 OF 1	REV A
DRAWING NO. 531-40051				