

## **Excellent Integrated System Limited**

Stocking Distributor

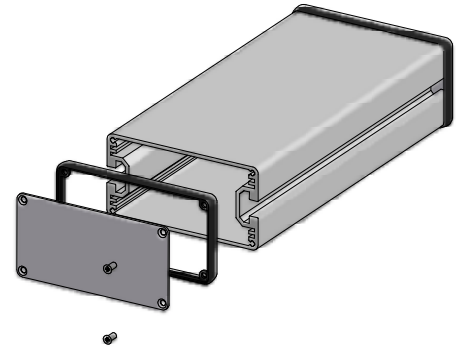
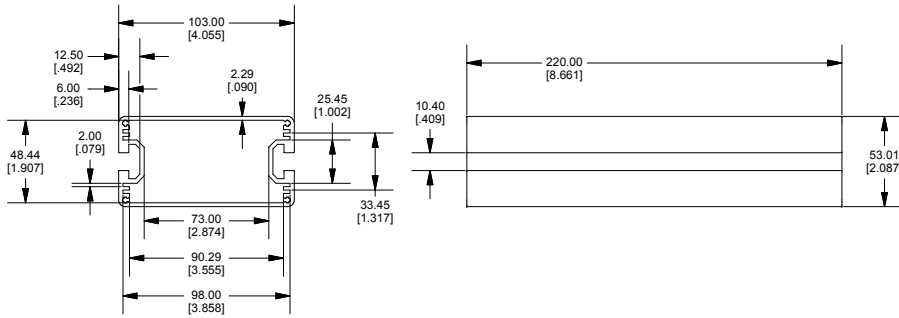
Click to view price, real time Inventory, Delivery & Lifecycle Information:

[Hammond Manufacturing](#)  
[1455NC2201](#)

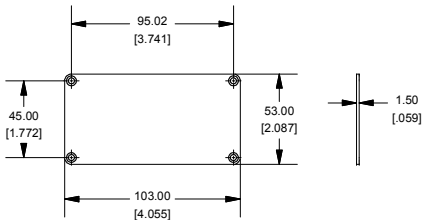
For any questions, you can email us directly:

[sales@integrated-circuit.com](mailto:sales@integrated-circuit.com)

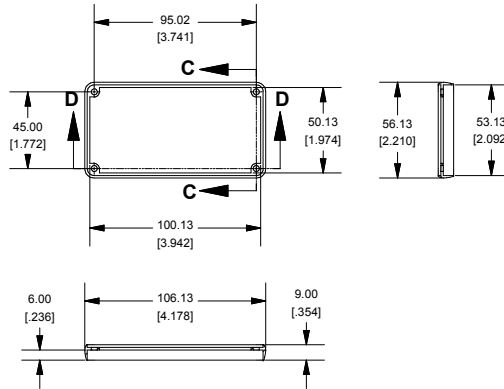
**Extrusion**



**End Plate**



**Open Bezel**



**OPTIONAL FLANGE END PANELS  
1455NF**

Enclosures can be Factory Modified ( Milling, Drilling, Printing etc.)  
Solid models of this enclosure available in STEP or IGES.  
Contact Factory [mjm@hammondmfg.com](mailto:mjm@hammondmfg.com)

**NOTE**

Purchased assembly includes extrusion, plastic bezels, end panels, #6 Taptight screws and self adhesive rubber feet.	
Box made from Extruded Aluminum 6063.	
Bezels made from polycarbonate.	

1455NC2201	
PART NUMBERS	
Clear Anodized	1455NC2201
ACCESSORIES	
T Bolt (M8 x 20)	1455TBOLT
T Nut (M8)	1455TNUT
T Spring Nut (M8)	1455TSNUT

