

## Excellent Integrated System Limited



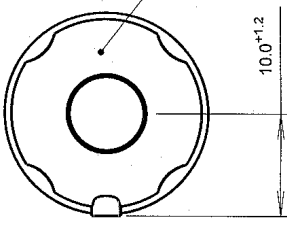
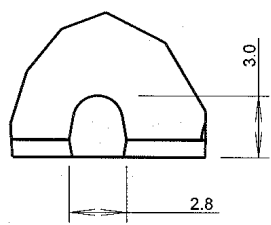
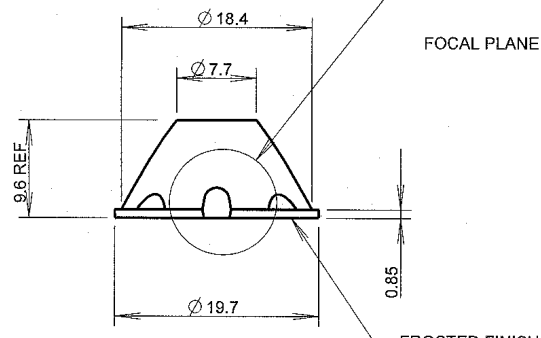
Stocking Distributor

Click to view price, real time Inventory, Delivery & Lifecycle Information:

[Carclo Technical Plastics](#)  
[10199](#)

For any questions, you can email us directly:

[sales@integrated-circuit.com](mailto:sales@integrated-circuit.com)

ISS.	DATE	E.C.N.	DESCRIPTION	© 2010 CTP-COIL ALL DIMENSIONS IN mm		 <b>carclo</b> technical plastics									
2	31-Oct-06		EJECTOR PIN CUT OUTS ENLARGED	<b>CUSTOMER DRAWING</b>  3D VIEW SCALE 1:1		CARCLO TECHNICAL PLASTICS (SLOUGH) 111 BUCKINGHAM AVE, SLOUGH SL1 4PF, ENGLAND TEL: +44 1753 575011 FAX: +44 1753 811359 e-mail: design@carclo-optics.com									
3	30-Oct-07		PART 10202 REMOVED			GENERAL TOLERANCES (UNLESS STATED) <table border="0" style="width: 100%;"> <tr> <td>LINEAR</td> <td>ANGULAR</td> </tr> <tr> <td>X +/- 0.25</td> <td>X +/- 1°</td> </tr> <tr> <td>X.X +/- 0.1</td> <td>X.X +/- 0.5°</td> </tr> <tr> <td>X.XX +/- 0.05</td> <td>X.XX +/- 0.1°</td> </tr> </table>		LINEAR	ANGULAR	X +/- 0.25	X +/- 1°	X.X +/- 0.1	X.X +/- 0.5°	X.XX +/- 0.05	X.XX +/- 0.1°
LINEAR	ANGULAR														
X +/- 0.25	X +/- 1°														
X.X +/- 0.1	X.X +/- 0.5°														
X.XX +/- 0.05	X.XX +/- 0.1°														
3A	26-Jan-11	10/09/1254	DIM. TOLLERANCES CHANGED + NOTE ADDED												
<div style="display: flex; justify-content: space-around;"> <div style="text-align: center;">  </div> <div style="text-align: center;">  </div> </div> <div style="margin-top: 20px;">  </div>				CUSTOMER		CARCLO									
				TITLE		1.4MM OFFSET FOCUS 20 MM DIA OPTIC									
				DRAWN		DATE									
				AJD		17-Aug-06									
				CHR'D		DATE									
APP'D		DATE													
SCALE		CARCLO PART No.													
2:1		SEE TABLE													
DESCRIPTION		PART NO.													
PLAIN (NO FROSTING)		10199													
SOFT NARROW BEAM		10200													
SOFT MEDIUM BEAM		10201													
SIZE		CARCLO DRG. No.													
A4		60434													
SHEET		2 OF 2													

NOTES:  
 1. MATERIAL - UV STABILISED POLYCARBONATE  
 2. INCLUSIONS SPECIFIED TO BS4301

FROSTED FINISH

FOCAL PLANE

SEE DETAIL A