

Excellent Integrated System Limited

Stocking Distributor

Click to view price, real time Inventory, Delivery & Lifecycle Information:

[TE Connectivity AMP Connectors](#)
[502809-1](#)

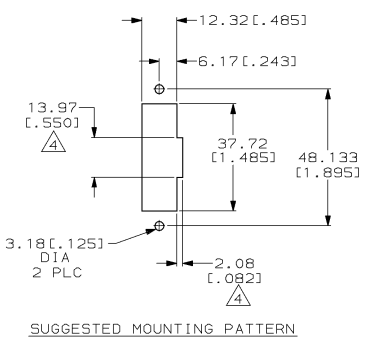
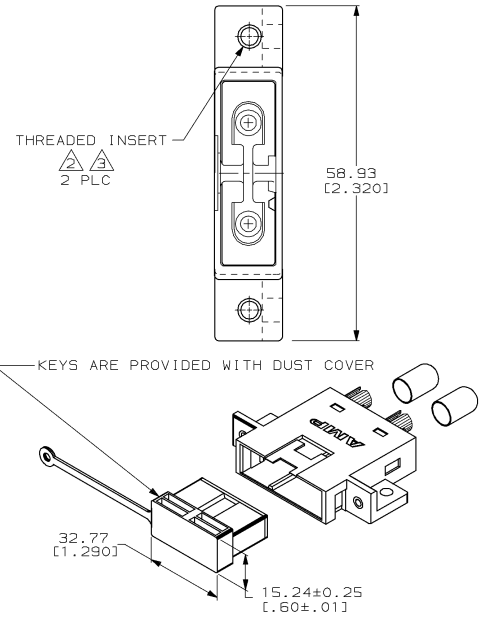
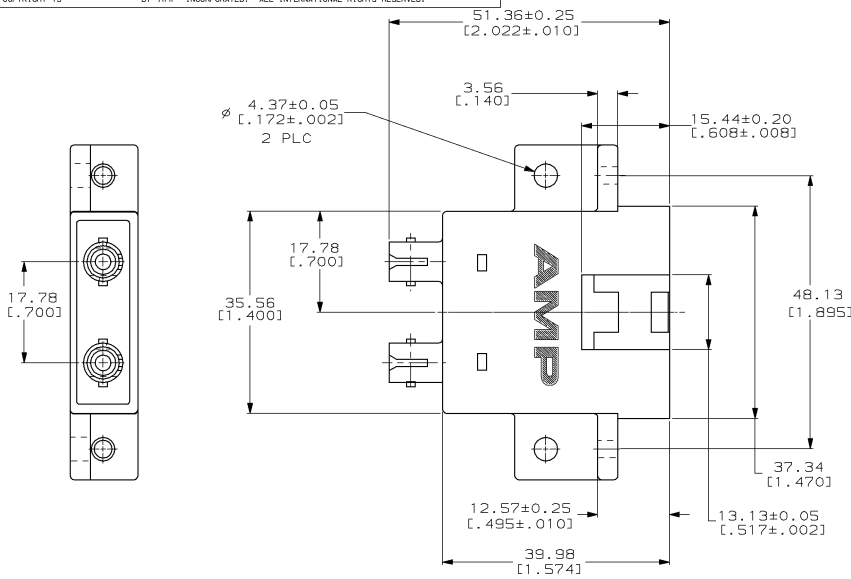
For any questions, you can email us directly:

sales@integrated-circuit.com

4
 DRAWING MADE IN THIRD ANGLE PROJECTION

THIS DRAWING IS UNPUBLISHED. RELEASED FOR PUBLICATION
 © COPYRIGHT 19 BY AMP INCORPORATED. ALL INTERNATIONAL RIGHTS RESERVED.

LOC	DIST	P	F	ZONE	LTR	REVISIONS	DATE	APPD
CE	16				B	REV PER 0500-0087-94	11-22-94	RH/GL



1. DIMENSIONS IN [] ARE IN INCHES.
- ▲ #4-40 THREADED INSERT.
 - ▲ M3X0.5 THREADED INSERT.
 - ▲ OPTIONAL CUTOUT FOR FIELD KEY INSERTION AND REMOVAL. KEY EXTRACTION TOOL PART NUMBER: 503679-1.

▲	BLACK	CERAMIC	502809-3
▲	BEIGE	CERAMIC	502809-2
▲	BLACK	CERAMIC	502809-1
	COLOR	ALIGNMENT SLEEVE MATERIAL	PART NUMBER

		PART NO	
DO NOT SCALE PRINT. UNLESS SPECIFIED DIMENSIONS IN mm TOLERANCES ON :	DR 10-13-92 R.HILEMAN	AMP INCORPORATED Harrisburg, Pa. 17105	
2 PLC DEC ± 0.13 (.005) ANGLES ± -	CHK 10-14-92 T.FANCETT		
MATERIAL THERMOPLASTIC	APPD 10-14-92 T.FANCETT	NAME	
FINISH SEE TABLE	PRODUCT SPEC -	FSD TO 2.5mm BAYONET COUPLING ASSEMBLY, FIELD KEYABLE, AMP FSD, SINGLEMODE	
WEIGHT -	APPLICATION SPEC -	SIZE C	FSCM NO 00779
		SCALE 2:1	DRAWING NO 502809
			SHEET 1 OF 1

METRIC

CUSTOMER DRAWING