

Excellent Integrated System Limited



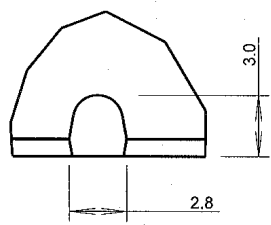
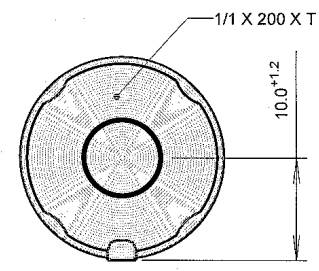
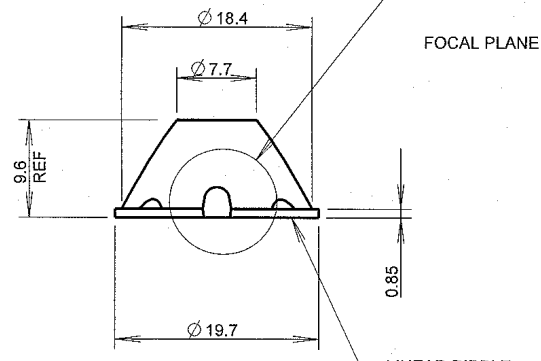
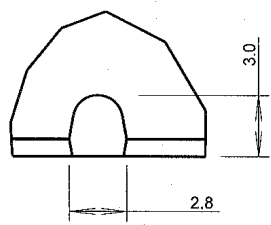
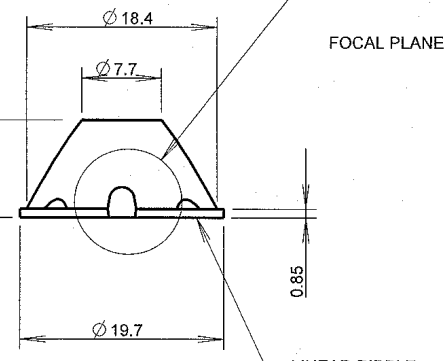
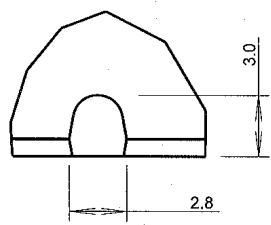
Stocking Distributor

Click to view price, real time Inventory, Delivery & Lifecycle Information:

[Carclo Technical Plastics](#)
[10210](#)

For any questions, you can email us directly:

sales@integrated-circuit.com

ISS.	DATE	E.C.N.	DESCRIPTION	© 2010 CTP-COIL ALL DIMENSIONS IN mm		 carclo technical plastics									
1	17-Aug-06		FIRST ISSUE	CUSTOMER DRAWING  3D VIEW SCALE 1:1		CARCLO TECHNICAL PLASTICS (SLOUGH) 111 BUCKINGHAM AVE, SLOUGH SL1 4PF, ENGLAND TEL: +44 1753 575011 FAX: +44 1753 811359 e-mail: design@carclo-optics.com									
1A	26-Jan-11	10/09/1254	DIM. TOLLERANCES CHANGED + NOTE ADDED			 DETAIL A SCALE 4:1		GENERAL TOLERANCES (UNLESS STATED)							
NOTES: 1. MATERIAL - UV STABILISED POLYCARBONATE 2. INCLUSIONS SPECIFIED TO BS4301						<table border="1"> <tr> <td>LINEAR</td> <td>ANGULAR</td> </tr> <tr> <td>X +/- 0.25</td> <td>X +/- 1°</td> </tr> <tr> <td>X.X +/- 0.1</td> <td>X.X +/- 0.5°</td> </tr> <tr> <td>X.XX +/- 0.05</td> <td>X.XX +/- 0.1°</td> </tr> </table>		LINEAR	ANGULAR	X +/- 0.25	X +/- 1°	X.X +/- 0.1	X.X +/- 0.5°	X.XX +/- 0.05	X.XX +/- 0.1°
LINEAR	ANGULAR														
X +/- 0.25	X +/- 1°														
X.X +/- 0.1	X.X +/- 0.5°														
X.XX +/- 0.05	X.XX +/- 0.1°														
						CUSTOMER <p style="text-align: center;">CARCLO</p>									
						TITLE <p style="text-align: center;">MEDIUM CIRCULAR 1.4MM OFFSET FOCUS 20MM DIA OPTIC</p>									
DRAWN		DATE		DRAWN		DATE									
AJD		17-Aug-06		AJD		17-Aug-06									
CHR'D		DATE		CHR'D		DATE									
APP'D		DATE		APP'D		DATE									
SCALE		CARCLO PART No.		SCALE		CARCLO PART No.									
2:1		10210		2:1		10210									
SIZE		CARCLO DRG. No.		SIZE		CARCLO DRG. No.									
A4		60438		A4		60438									
SHEET		SHEET		SHEET		SHEET									
2 OF 2		2 OF 2		2 OF 2		2 OF 2									