

## Excellent Integrated System Limited


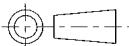
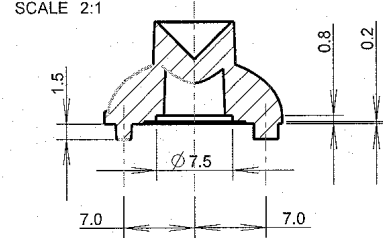
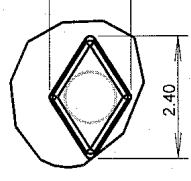
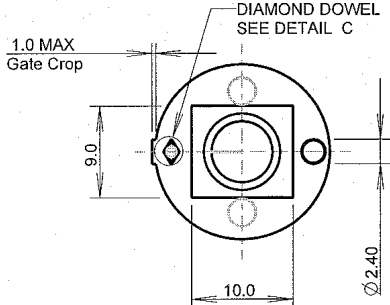
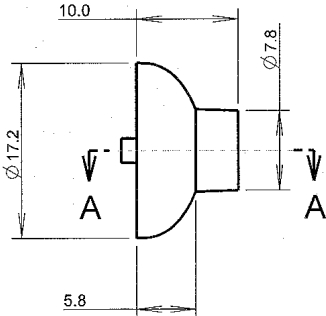
Stocking Distributor

Click to view price, real time Inventory, Delivery & Lifecycle Information:

[Carclo Technical Plastics](#)  
[10267](#)

For any questions, you can email us directly:

[sales@integrated-circuit.com](mailto:sales@integrated-circuit.com)

ISS.	DATE	E.C.N.	DESCRIPTION	© 2011 CTP-COIL ALL DIMENSIONS IN mm		 CARCLO TECHNICAL PLASTICS (SLOUGH) 111 BUCKINGHAM AVE, SLOUGH SL1 4PF, ENGLAND TEL: +44 1753 575011 FAX: +44 1753 811359 e-mail: design@carclo-optics.com	
1	25-May-07		FIRST ISSUE			GENERAL VIEW SCALE 1:1 	
1A	19-Dec-11	12/11/1323	Title change				
1B	06/03/12	03/12/1330	Addition of Gate Length				
CUSTOMER DRAWING							
SECTION A-A SCALE 2:1 				1.60 		GENERAL TOLERANCES (UNLESS STATED) LINEAR            ANGULAR X    +/- 0.25      X    +/- 1° X.X   +/- 0.1      X.X   +/- 0.5° X.XX +/- 0.05    X.XX +/- 0.1°	
1.0 MAX Gate Crop DIAMOND DOWEL SEE DETAIL C 				10.0 		CUSTOMER CARCLO	
				MATERIAL: POLYCARBONATE		TITLE 10MM HIGH SIDE EMITTER OPTIC	
						DRAWN            DATE AJD                      25-May-07	
						CHK'D            DATE PW                      19-Dec-11	
						APP'D            DATE MB                      19-Dec-11	
				SCALE 2:1		CARCLO PART No. 10267	
				SIZE A4		CARCLO DRG. No. 60465	
						SHEET 2 OF 3	