

Excellent Integrated System Limited

Stocking Distributor

Click to view price, real time Inventory, Delivery & Lifecycle Information:

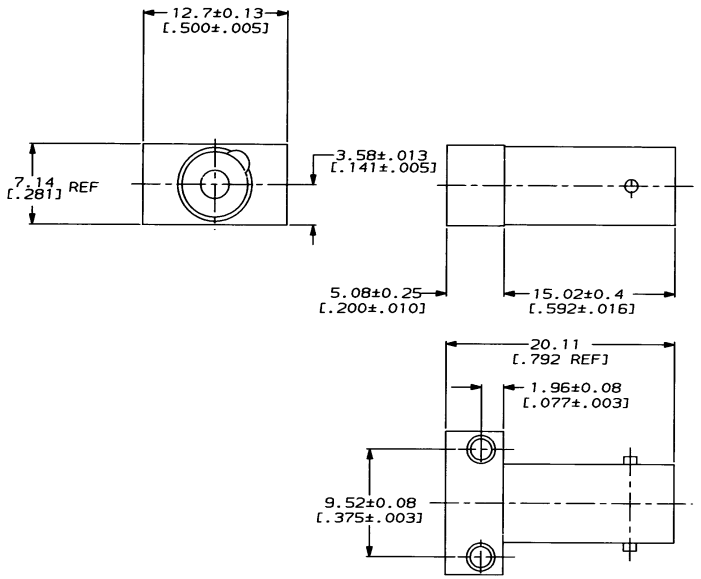
[TE Connectivity AMP Connectors](#)
[502585-2](#)

For any questions, you can email us directly:

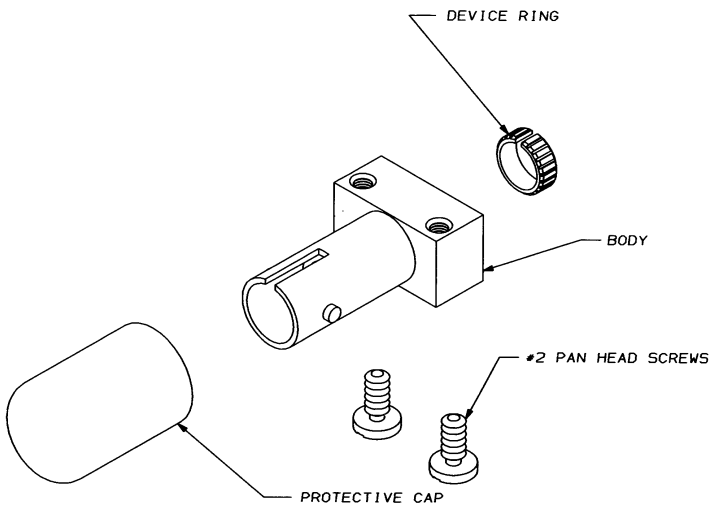
sales@integrated-circuit.com

DRAWING MADE IN THIRD ANGLE PROJECTION
 THIS DRAWING IS UNPUBLISHED. RELEASED FOR PUBLICATION
 © COPYRIGHT 19 BY AMP INCORPORATED. ALL INTERNATIONAL RIGHTS RESERVED.

LOC		DIST		REVISONS		DATE	APPD
P	F	ZONE	LTR	DESCRIPTION			
CE	16					7-20-90	RH/FA
						5-13-92	RH/FA



ACTIVE DEVICE MOUNT BODY



1. DIMENSIONS IN [] ARE IN INCHES.
 2. ACCEPTS ACTIVE DEVICES, TO-52, TO-18, TO-46, OR LOW COST HONEYWELL SWEETSPOT.
- ▲ 1000 PCS BULK PACKAGED.

DO NOT SCALE PRINT. UNLESS SPECIFIED DIMENSIONS IN mm TOLERANCES ON + 2 PLC DEC ± ANGLES ±		DR 4-20-90 R.HILEMAN	AMP INCORPORATED Harrisburg, Pa. 17105	
MATERIAL ADM BODY: ZINC		CHK 4-20-90 F.ANTONICELLI		
FINISH ADM BODY: NICKEL		APPD 4-20-90 F.ANTONICELLI	NAME ACTIVE DEVICE MOUNT KIT, 2.5mm BAYONET, OPTIMATE	
METRIC		PRODUCT SPEC	SIZE C	FSCN NO 00779
		APPLICATION SPEC	SCALE 4:1	DRAWING NO 502585
		WEIGHT	SHEET 1 OF 1	

CUSTOMER DRAWING