

## **Excellent Integrated System Limited**

Stocking Distributor

Click to view price, real time Inventory, Delivery & Lifecycle Information:

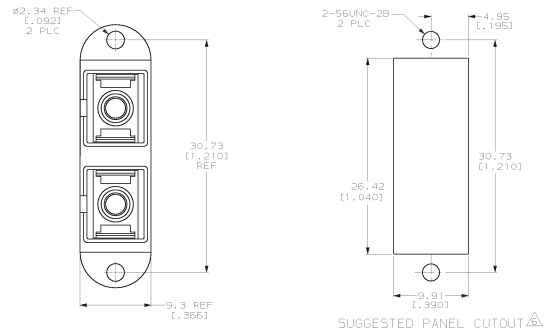
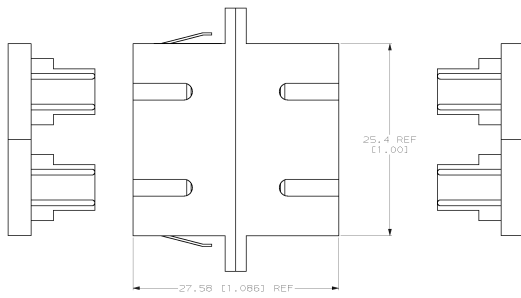
[TE Connectivity AMP Connectors](#)  
[502776-8](#)

For any questions, you can email us directly:

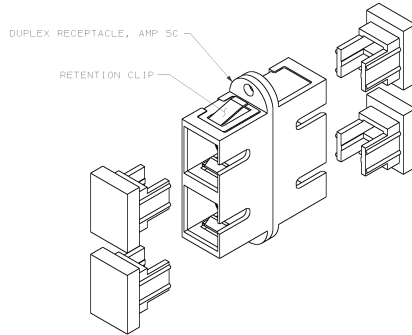
[sales@integrated-circuit.com](mailto:sales@integrated-circuit.com)



Distributor of TE Connectivity AMP Connectors: Excellent Integrated System Limited  
 Datasheet of 502776-8 - CONN COUPLER RCPT SC-SC DUPLEX



SUGGESTED PANEL CUTOUT



- MATERIAL:  
 BODY: THERMOPLASTIC  
 RETENTION CLIP: STAINLESS STEEL  
 SLEEVE: PHOSPHOR BRONZE  
 SLEEVE: ZIRCONIA  
 DUST COVER: THERMOPLASTIC ELASTOMER
2. DIMENSIONS IN ( ) ARE IN INCHES.  
 BULK PACKAGE, 50 PIECES.  
 BULK PACKAGE, 250 PIECES.  
 NO LOGO.  
 RECOMMENDED PANEL THICKNESS  
 1.604, 1.0 1.063, 0.043.

	RETENTION CLIP	COLOR	ALIGNMENT SLEEVE	PART NUMBER
	RETENTION CLIP	BLACK	CERAMIC	2-502776-5
	RETENTION CLIP	GREEN	CERAMIC	2-502776-3
	NONE	GREEN	CERAMIC	2-502776-2
	NONE	LT ALMOND	CERAMIC	2-502776-1
	NONE	LT ALMOND	METAL	2-502776-0
	RETENTION CLIP	BEIGE	METAL	1-502776-9
	RETENTION CLIP	BEIGE	CERAMIC	1-502776-8
	RETENTION CLIP	BLUE	CERAMIC	1-502776-7
	RETENTION CLIP	BLACK	CERAMIC	1-502776-6
	RETENTION CLIP	BEIGE	METAL	1-502776-5
	RETENTION CLIP	BLUE	METAL	1-502776-4
	RETENTION CLIP	BLACK	METAL	1-502776-3
	RETENTION CLIP	BEIGE	CERAMIC	1-502776-2
	RETENTION CLIP	BLUE	CERAMIC	1-502776-1
	RETENTION CLIP	BLACK	CERAMIC	1-502776-0
	RETENTION CLIP	BEIGE	METAL	502776-9
	RETENTION CLIP	BLUE	METAL	502776-8
	RETENTION CLIP	BLACK	METAL	502776-7
	RETENTION CLIP	BEIGE	CERAMIC	502776-6
	RETENTION CLIP	BLUE	CERAMIC	502776-5
	RETENTION CLIP	BLACK	CERAMIC	502776-4
	RETENTION CLIP	BEIGE	METAL	502776-3
	RETENTION CLIP	BLUE	METAL	502776-2
	RETENTION CLIP	BLACK	METAL	502776-1

SUPERSEDED BY 1-502776-2 RETENTION CLIP BEIGE CERAMIC 502776-6  
 SUPERSEDED BY 1-502776-1 RETENTION CLIP BLUE CERAMIC 502776-5  
 SUPERSEDED BY 1-502776-0 RETENTION CLIP BLACK CERAMIC 502776-4  
 SUPERSEDED BY 502776-9 RETENTION CLIP BEIGE METAL 502776-3  
 SUPERSEDED BY 502776-8 RETENTION CLIP BLUE METAL 502776-2  
 SUPERSEDED BY 502776-7 RETENTION CLIP BLACK METAL 502776-1

INCLUDED HARDWARE	COLOR	ALIGNMENT SLEEVE	PART NUMBER
RETENTION CLIP	BLACK	CERAMIC	2-502776-5
RETENTION CLIP	GREEN	CERAMIC	2-502776-3
RETENTION CLIP	GREEN	CERAMIC	2-502776-2
RETENTION CLIP	LT ALMOND	CERAMIC	2-502776-1
RETENTION CLIP	LT ALMOND	METAL	2-502776-0
RETENTION CLIP	BEIGE	METAL	1-502776-9
RETENTION CLIP	BEIGE	CERAMIC	1-502776-8
RETENTION CLIP	BLUE	CERAMIC	1-502776-7
RETENTION CLIP	BLACK	CERAMIC	1-502776-6
RETENTION CLIP	BEIGE	METAL	1-502776-5
RETENTION CLIP	BLUE	METAL	1-502776-4
RETENTION CLIP	BLACK	METAL	1-502776-3
RETENTION CLIP	BEIGE	CERAMIC	1-502776-2
RETENTION CLIP	BLUE	CERAMIC	1-502776-1
RETENTION CLIP	BLACK	CERAMIC	1-502776-0
RETENTION CLIP	BEIGE	METAL	502776-9
RETENTION CLIP	BLUE	METAL	502776-8
RETENTION CLIP	BLACK	METAL	502776-7
RETENTION CLIP	BEIGE	CERAMIC	502776-6
RETENTION CLIP	BLUE	CERAMIC	502776-5
RETENTION CLIP	BLACK	CERAMIC	502776-4
RETENTION CLIP	BEIGE	METAL	502776-3
RETENTION CLIP	BLUE	METAL	502776-2
RETENTION CLIP	BLACK	METAL	502776-1

THIS DRAWING IS A CONTROL DOCUMENT.		REV. 16	DATE	12/10/20	BY	16
DESCRIPTION		REV. 16	DATE	12/10/20	BY	16
DUPLX RECEPTACLE, AMP SC		REV. 16	DATE	12/10/20	BY	16
PART NUMBER		REV. 16	DATE	12/10/20	BY	16
502776-8		REV. 16	DATE	12/10/20	BY	16