

Excellent Integrated System Limited

Stocking Distributor

Click to view price, real time Inventory, Delivery & Lifecycle Information:

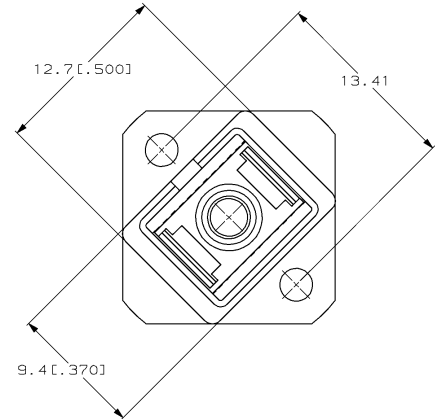
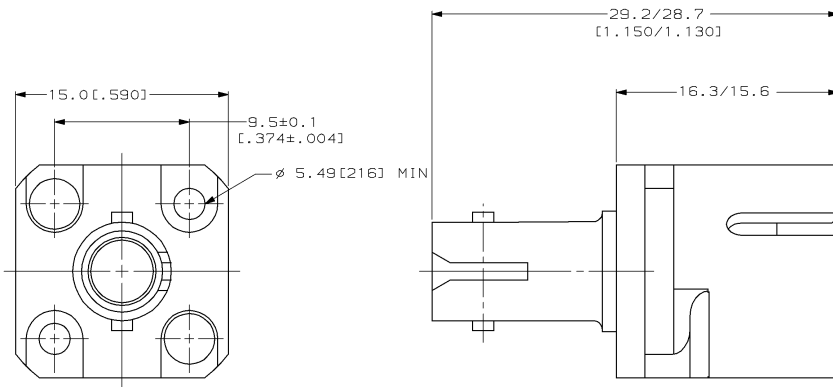
[TE Connectivity AMP Connectors](#)
[503638-1](#)

For any questions, you can email us directly:

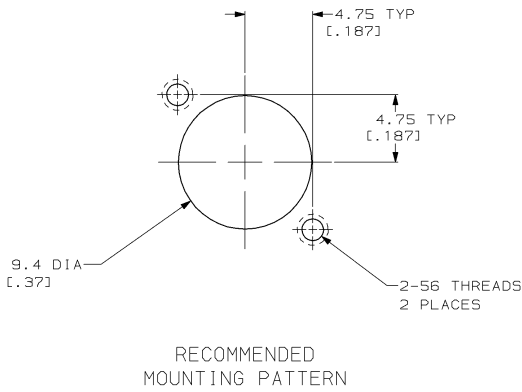
sales@integrated-circuit.com

4
 DRAWING MADE IN THIRD ANGLE PROJECTION
 THIS DRAWING IS UNPUBLISHED. RELEASED FOR PUBLICATION .19
 © COPYRIGHT 19 BY AMP INCORPORATED. ALL INTERNATIONAL RIGHTS RESERVED.

LOC		DIST		REV		ZONE		LTR		REVISIONS		DATE	APPD
CE	16	P	F							DESCRIPTION		JM/SB	
										C	REVISE PER 0A00-0567-98	14OCT98	



△ MATERIAL:
 BODY: ZINC DIECAST
 SLEEVE: METAL
 SLEEVE: CERAMIC
 DUST COVER: VINYL AND THERMOPLASTIC RUBBER
 2. DUST COVERS NOT SHOWN.



DO NOT SCALE PRINT.
 UNLESS SPECIFIED
 DIMENSIONS IN MM [INCHES].
 TOLERANCES ON +
 2 PLC DEC ± 0.13(.005)
 3 PLC DEC ± -
 ANGLES ± -
 MATERIAL
 △
 FINISH
 BODY: NICKEL

DR 6-24-94 B.BRIGGS	AMP Incorporated Harrisburg, PA 17105-3608
CHK 6-24-94 B.BRIGGS	NAME
APPD 6-24-94 S.WILCOX	ASSEMBLY, COUPLING BUSHING, 2.5mm
APPD 6-24-94 D.STAKEN	BAYONET TO AMP SC
PRODUCT SPEC	
APPLICATION SPEC	
WEIGHT	

CERAMIC	503638-2
METAL	503638-1
ALIGNMENT SLEEVE	PART NO
AMP AMP Incorporated Harrisburg, PA 17105-3608	
NAME ASSEMBLY, COUPLING BUSHING, 2.5mm BAYONET TO AMP SC	
SIZE C	CAGE CODE 00779
SCALE 5:1	DRAWING NO C=503638
	SHEET 1 OF 1

METRIC

THIS DRAWING IS A CONTROLLED DOCUMENT FOR AMP INCORPORATED. IT IS SUBJECT TO CHANGE AND THE CONTROLLING ENGINEERING ORGANIZATION SHOULD BE CONTACTED FOR THE LATEST REVISION.