

## Excellent Integrated System Limited

Stocking Distributor

Click to view price, real time Inventory, Delivery & Lifecycle Information:

[Amphenol RF](#)  
[903-NM415J-51P](#)

For any questions, you can email us directly:

[sales@integrated-circuit.com](mailto:sales@integrated-circuit.com)

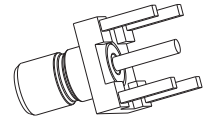
NOTES:

1. MATERIALS AND FINISHES:  
 BODY - BERYLLIUM COPPER, GOLD PLATING  
 CONTACT - BERYLLIUM COPPER, GOLD PLATING  
 INSULATOR -PTFE, NATURAL
2. ELECTRICAL:  
 A. IMPEDANCE: 50 OHM  
 B. FREQUENCY RANGE: DC TO 4 GHz  
 C. DIELECTRIC WITHSTANDING VOLTAGE: 1000 VRMS, MIN.
3. MECHANICAL:  
 A. DURABILITY: 500 CYCLES MIN.  
 B. TEMPERATURE RANGE: -65°C to +165°C
4. PACKAGING:  
 A. PACKAGE CONNECTOR IN BAG 100 PIECES PER.  
 B. MARK BAG OR TAG:  
 "AMPHENOL RF 903-NM415J-51P 100 PIECES, DATE CODE"  
 AND "NON-MAGNETIC CONNECTORS" IN LARGE LETTERS.

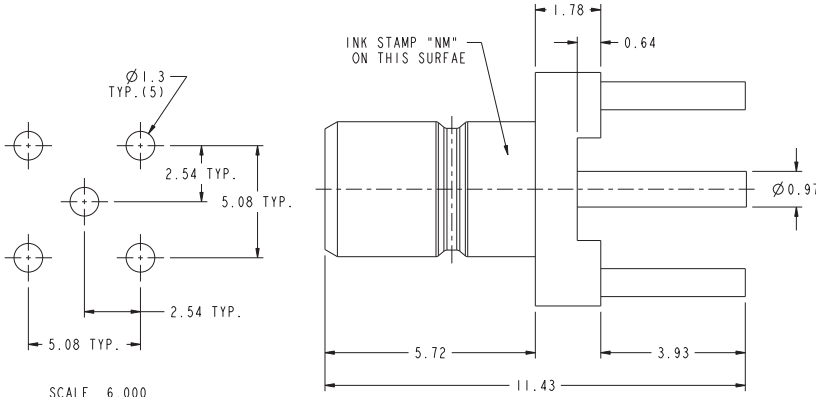
THIRD ANGLE PROJ.

REVISIONS

REV	DESCRIPTION	DATE	ECO	APPR
A	RELEASE TO MFG.	08-Aug-06	46108	CW
B	TRANSFER TO ARFA	10-May-11	48586	TD

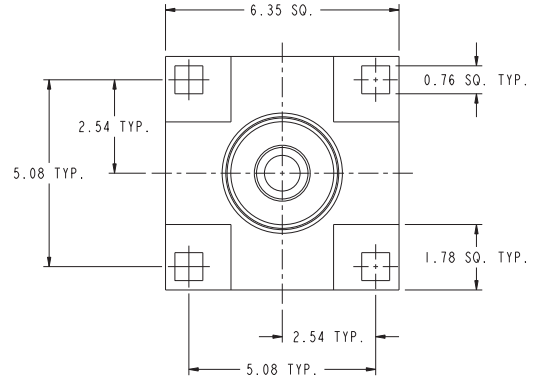


SCALE 4.000



SCALE 6.000

RECOMMENDED MOUNTING HOLE



**NO MATERIAL OR PLATING SUBSTITUTIONS**

**CUSTOMER OUTLINE DRAWING**  
 ALL OTHER SHEETS ARE FOR INTERNAL USE ONLY

UNLESS OTHERWISE SPECIFIED, DIMENSIONS ARE IN METRIC AND TOLERANCES ARE: <0.5mm ±0.5mm 0.5 - 6mm ±0.1mm 6 - 30mm ±0.2mm 30 - 120mm ±0.3mm ANGLES ±1° NOTICE - These drawings, specifications, or other data (1) are, and remain the property of Amphenol Corp. (2) must be returned upon request; and (3) are confidential and not to be disclosed to any person other than those to whom they are given by Amphenol Corp. The furnishing of these drawings, specifications, or other data by Amphenol Corp., or to any other person to anyone for any purpose is not to be regarded by implication or otherwise in any manner licensing, granting rights to permitting such holder or any other person to manufacture, use or sell any product, process or design, patented or otherwise, that may in any way be related to or disclosed by said drawings, specifications, or other data.	MATERIAL	DRAWN T. DENG	DATE 10-May-11	TITLE SMB JACK PC MOUNT NON MAGNETIC	Amphenol RF www.amphenolrf.com
	REFERENCE 903-415J-51P	ENGINEER S. LI	DATE 10-May-11		
	CONFIGURATION LEVEL:	APPROVED S. HSIEH	DATE 10-May-11	SCALE: 10.0:1.0 SHEET 2 OF 2	ITEM NO. 903-NM415J-51P
	FINISH	CAD FILE	DWG SIZE B	REV B	PART NO. 903-NM415J-51P