

Excellent Integrated System Limited

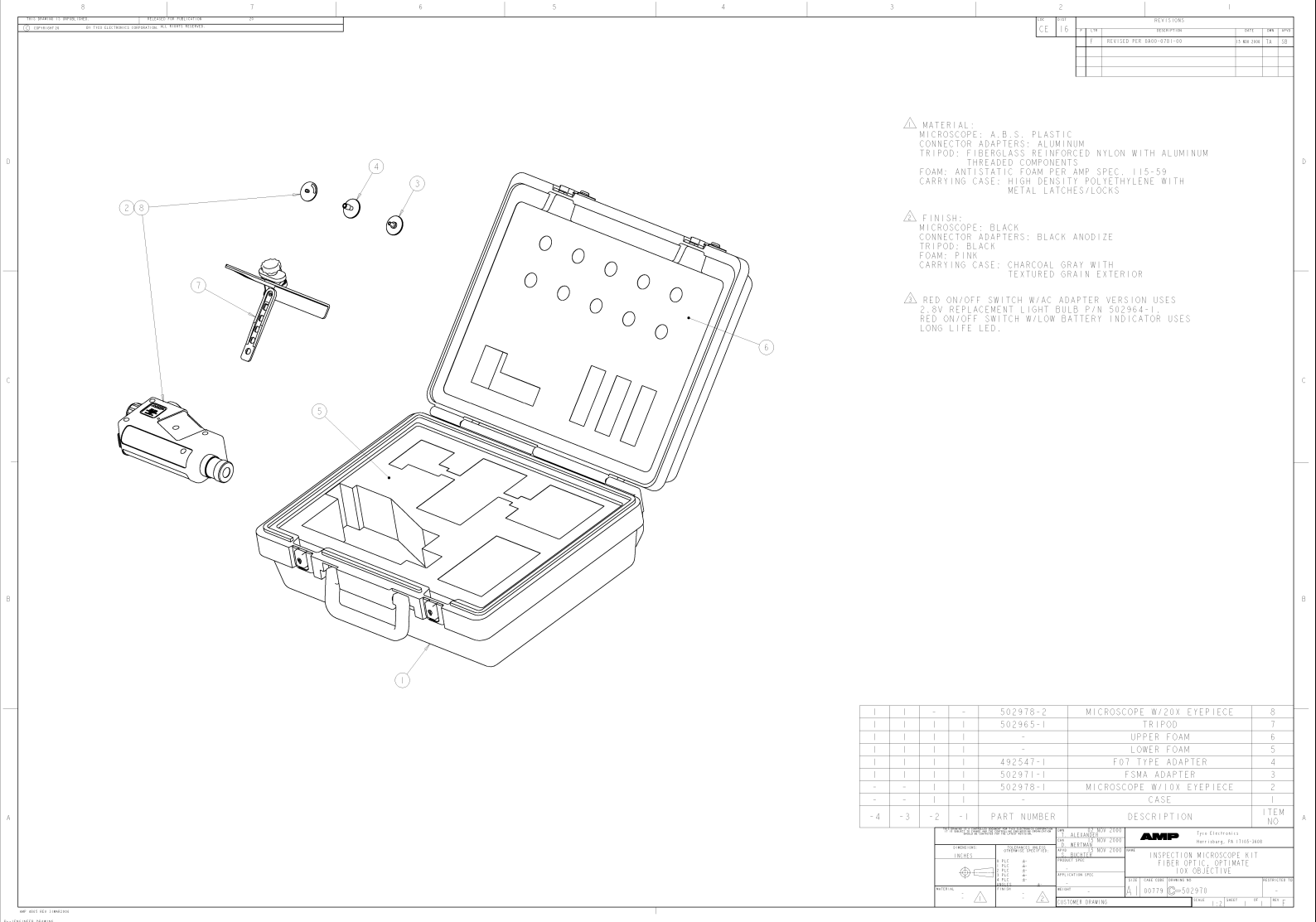
Stocking Distributor

Click to view price, real time Inventory, Delivery & Lifecycle Information:

[TE Connectivity AMP Connectors](#)
[502970-1](#)

For any questions, you can email us directly:

sales@integrated-circuit.com



- △ MATERIAL:
 MICROSCOPE: A.B.S. PLASTIC
 CONNECTOR ADAPTERS: ALUMINUM
 TRIPOD: FIBERGLASS REINFORCED NYLON WITH ALUMINUM
 THREADED COMPONENTS
 FOAM: ANTISTATIC FOAM PER AMP SPEC. 115-59
 CARRYING CASE: HIGH DENSITY POLYETHYLENE WITH
 METAL LATCHES/LOCKS
- △ FINISH:
 MICROSCOPE: BLACK
 CONNECTOR ADAPTERS: BLACK ANODIZE
 TRIPOD: BLACK
 FOAM: PINK
 CARRYING CASE: CHARCOAL GRAY WITH
 TEXTURED GRAIN EXTERIOR
- △ RED ON/OFF SWITCH W/AC ADAPTER VERSION USES
 2.8V REPLACEMENT LIGHT BULB P/N 502964-1.
 RED ON/OFF SWITCH W/LOW BATTERY INDICATOR USES
 LONG LIFE LED.

1	1	-	-	502978-2	MICROSCOPE W/20X EYEPIECE	8
1	1	1	1	502965-1	TRIPOD	7
1	1	1	1	-	UPPER FOAM	6
1	1	1	1	-	LOWER FOAM	5
1	1	1	1	492547-1	F07 TYPE ADAPTER	4
1	1	1	1	502971-1	FSMA ADAPTER	3
-	-	1	1	502978-1	MICROSCOPE W/10X EYEPIECE	2
-	-	1	1	-	CASE	1
-4	-3	-2	-1	PART NUMBER	DESCRIPTION	ITEM NO

DATE: 14 NOV 2000 BY: ALLAN R TITLE: DESIGNER DATE: 14 NOV 2000 BY: BUCKLE TITLE: DESIGNER		AMP Type Electronics Harrisburg, PA 17105-3400	
APPLICATION SPEC: INSPECTION MICROSCOPE KIT PART: FIBER OPTIC, OPTIMATE OBJ: OBJECTIVE		DATE: 14 NOV 2000 BY: BUCKLE TITLE: DESIGNER	
MATERIAL: PLASTIC FINISH: BLACK		PART: 502979 OBJ: 502970	
CUSTOMER DRAWING:		SHEET: 1 OF 1	