



Excellent Integrated System Limited

Stocking Distributor

Click to view price, real time Inventory, Delivery & Lifecycle Information:

[Amphenol RF](#)
[908-43200](#)

For any questions, you can email us directly:

sales@integrated-circuit.com

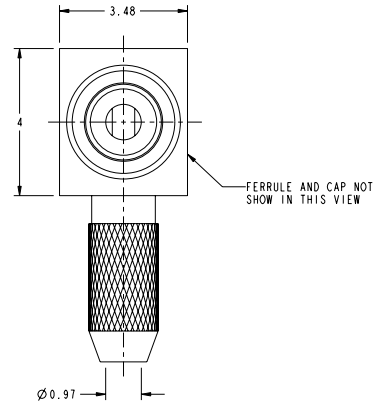
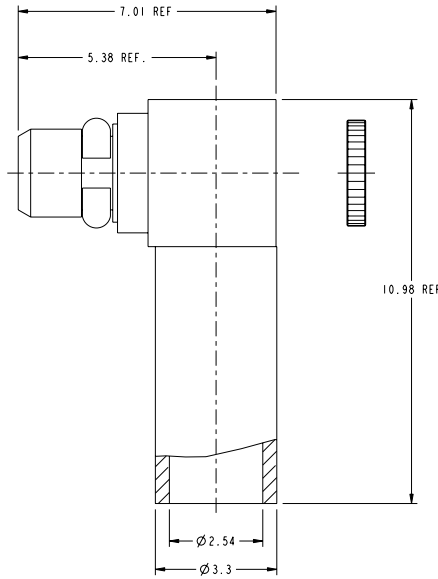
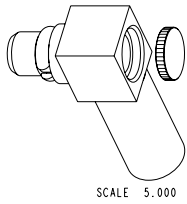
NOTES:

- MATERIALS AND FINISH: (PLATING THICKNESS IN MICRO-INCHES)
 BODY BRASS, GOLD PLATED (.000030 [0.8UM] MIN THICK OVER NICKEL)
 CONTACT BRASS, GOLD PLATED (.000030 [0.8UM] MIN THICK OVER NICKEL)
 CAP BRASS, GOLD PLATED (.000030 [0.8UM] MIN THICK OVER NICKEL)
 FERRULE ANNEALED COPPER, GOLD PLATED (.000005 [0.1UM] MIN THICK OVER NICKEL)
 INSULATOR PTFE, NATURAL
- ELECTRICAL:
 A. IMPEDANCE: 50 OHM
 B. FREQUENCY RANGE: DC - 6 GHZ
 C. DIELECTRIC WITHSTANDING VOLTAGE: 500 VRMS. MIN.
- PHYSICAL:
 A. OPERATING TEMPERATURE: -65°C TO +165°C
 B. DURABILITY: 500 MATING CYCLES MINIMUM
- FOR CABLE STRIPPING AND ASSEMBLY INSTRUCTIONS
 SEE 349-50598, USE CRIMP TOOL 227-944, DIE 227-1221-03,
 CAVITY "B" (.105 HEX)

THIRD ANGLE PROJ.

REVISIONS

REV	DESCRIPTION	DATE	ECO	APPR
A	RELEASE TO MFG.	29-Mar-95	40413	GT/RV
F	BODY WAS CHANGED	31-Mar-11	48431	SH
G	SEE SHEET 1	20-Dec-13	49752	RM



CUSTOMER OUTLINE DRAWING
 ALL OTHER SHEETS ARE FOR INTERNAL USE ONLY

UNLESS OTHERWISE SPECIFIED, DIMENSIONS ARE IN METRIC AND TOLERANCES ARE: $\pm 0.5mm$ $0.5 - 6mm$ $6 - 30mm$ $30 - 120mm$ ANGLES $\pm 1^\circ$ $\pm 0.05mm$ $\pm 0.1mm$ $\pm 0.2mm$ $\pm 0.3mm$ $\pm 1^\circ$	MATERIAL REFERENCE EAR 964571 0 615K-1320-950 GEN# ASSY#_MMCX CONFIGURATION LEVEL: FINISH	DRAWN R.MAO	DATE 19-Dec-13	TITLE MMCX RIGHT ANGLE PLUG FOR RG-178/U	Amphenol RF www.amphenolrf.com
		ENGINEER S.LI	DATE 19-Dec-13		
SCALE: 10.0:1.0 SHEET 2 OF 2				DWG SIZE B	REV G
DRAWING NO. 908-43200				ITEM NO. 908-43200	PART NO. 908-43200