

Excellent Integrated System Limited

Stocking Distributor

Click to view price, real time Inventory, Delivery & Lifecycle Information:

[Amphenol RE](#)
[SMP-MSLD-PCR](#)

For any questions, you can email us directly:

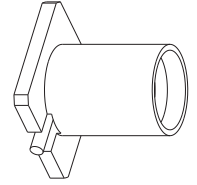
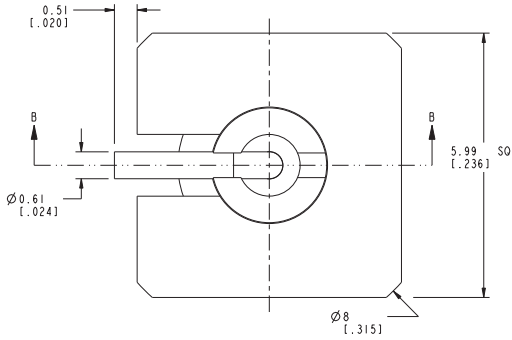
sales@integrated-circuit.com

- NOTES:
- MATERIALS AND FINISHES:
 BODY - BRASS, GOLD PLATING, .00030 INCH [0.0008 MM] THICK OVER COPPER
 CONTACT - BERYLLIUM COPPER, GOLD PLATING, .00030 INCH [0.0008 MM] THICK OVER COPPER
 INSULATOR - PEEK OR LCP, NATURAL
 - ELECTRICAL:
 A. IMPEDANCE: 50 OHM
 B. FREQUENCY RANGE: DC - 12 GHz
 C. VSWR(RETURNS): 1.10 (26 dB), MAX. DC-6GHz
 1.20 (21 dB), MAX. 6-12GHz
 D. DIELECTRIC WITHSTANDING VOLTAGE: 500 VRMS, MIN.
 - PHYSICAL:
 A. DURABILITY: 500 CYCLES MIN.
 B. ENGAGEMENT FORCE: 10 LB [45 N] MAX
 C. DISENGAGEMENT FORCE: 2 LB [9 N] MIN
 D. INNER CONTACT RETENTION FORCE: 1.5 LB [7 N] MIN
 E. TEMPERATURE RANGE: -65° C TO 165° C
 F. INSULATOR MATERIAL RATED TO UL94 V-0
 - PACKAGING:
 A. QUANTITY: SINGLE PACK
 B. MARKING: AMPHENOL, SMP-MSLD-PCR, DATE CODE

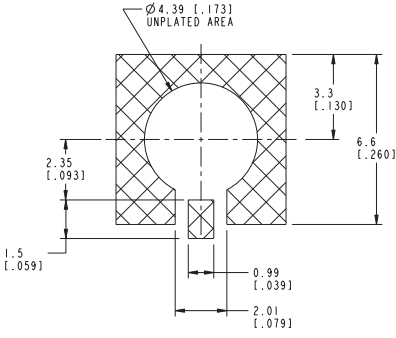
THIRD ANGLE PROJ.

REVISIONS

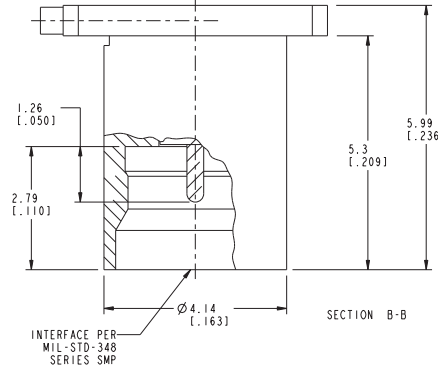
REV	DESCRIPTION	DATE	ECO	APPR
A	RELEASE TO MFG	9/12/05	45722	MY
E	ADDED UL RATING FOR INSULATOR MATERIAL	28-Jul-11	47682	SH



SCALE 6.000



RECOMMENDED PCB PAD LAYOUT
SCALE 7.000



INTERFACE PER MIL-STD-348 SERIES SMP

CUSTOMER OUTLINE DRAWING
ALL OTHER SHEETS ARE FOR INTERNAL USE ONLY

UNLESS OTHERWISE SPECIFIED, DIMENSIONS ARE IN METRIC AND TOLERANCES ARE:
 <0.5mm ±0.05mm 0.5 - 6mm ±0.1mm 6 - 30mm ±0.2mm 30 - 120mm ±0.3mm ANGLES ±1°

NOTICE - These drawings, specifications, or other data (1) are, and remain the property of Amphenol Corp. (2) must be returned upon request; and (3) are confidential and not to be disclosed to any person other than those to whom they are given by Amphenol Corp. The furnishing of these drawings, specifications, or other data by Amphenol Corp., or to any other person to anyone for any purpose is not to be regarded by implication or otherwise in any manner licensing, granting rights to permitting such holder or any other person to manufacture, use or sell any product, process or design, patented or otherwise, that may in any way be related to or disclosed by said drawings, specifications, or other data.

MATERIAL

REFERENCE
GEN ASS1M2-SMP
EABR 283
615X-1690-100
CONFIGURATION LEVEL:
FINISH

DRAWN

T. DENG

ENGINEER
OWEN BARTHELME

APPROVED
S. HSIEH

CAD FILE

DATE

25-Jul-11

DATE

25-Apr-01

DATE

28-Jul-11

TITLE

ASSEMBLY,
PC BOARD, REAR MOUNT
LIMITED DETENT
SCALE: 12.0:1.0 SHEET 2 OF 2
DWG SIZE B REV E

Amphenol RF
www.amphenolrf.com

DRAWING NO. SMP-MSLD-PCR
ITEM NO. SMP-MSLD-PCR
PART NO. SMP-MSLD-PCR