



Excellent Integrated System Limited

Stocking Distributor

Click to view price, real time Inventory, Delivery & Lifecycle Information:

[Amphenol RF](#)
[000-27000](#)

For any questions, you can email us directly:

sales@integrated-circuit.com

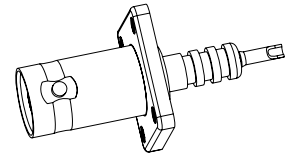
NOTES:

1. MATERIALS AND FINISHES (PLATING THICKNESS IN MICRO-INCHES):
 BODY - BRASS, NICKEL PLATING
 CONTACT - BeCu, SILVER PLATING
 INSULATOR - PTFE
2. ELECTRICAL:
 A. IMPEDANCE: NON-CONSTANT
 B. FREQUENCY RANGE: DC-50 GHz
 C. VOLTAGE RATING: 5,000 VOLTS PEAK
3. MECHANICAL:
 A. TEMPERATURE RANGE: -65° C TO +165° C

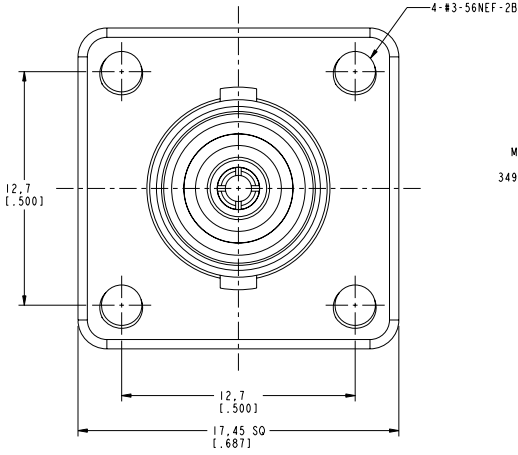
THIRD ANGLE PROJ.

REVISIONS

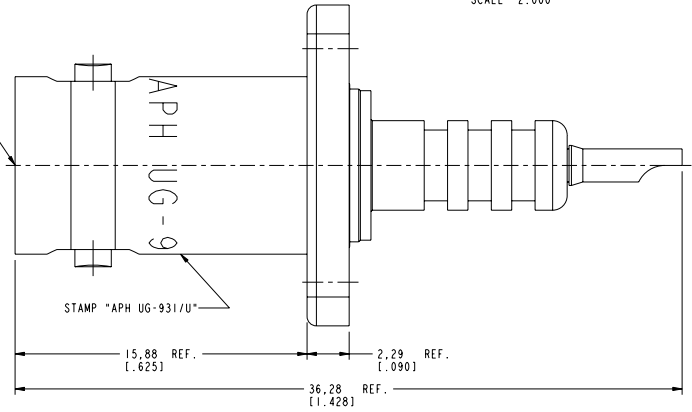
REV	DESCRIPTION	DATE	ECO	APPR
A	OFFICIAL ENG. RELEASE TO MFG.	5/20/63	8599	
A2	SOLDER OF NO. 1 WAS CHANGED \N/A	12-21-05		SH
U	THE STAMP WAS CHANGED \RD-DWI1082301R3	17-Aug-11	48752	SH



SCALE 2.000



MUST CONFORM TO
 AMPHENOL SPEC
 349-50551, SEC 303



CUSTOMER OUTLINE DRAWING
 ALL OTHER SHEETS ARE FOR INTERNAL USE ONLY

UNLESS OTHERWISE SPECIFIED, DIMENSIONS ARE IN METRIC AND TOLERANCES ARE:
 <0.5mm ±0.05mm 0.5 - 6mm ±0.1mm 6 - 30mm ±0.2mm 30 - 120mm ±0.3mm ANGLES ±1°

NOTICE - These drawings, specifications, or other data (1) are, and remain the property of Amphenol Corp. (2) must be returned upon request; and (3) are confidential and not to be disclosed to any person other than those to whom they are given by Amphenol Corp. The furnishing of these drawings, specifications, or other data by Amphenol Corp., or to any other person for any purpose is not to be regarded by implication or otherwise in any manner licensing, granting rights to permitting such holder or any other person to manufacture, use or sell any product, process or design, patented or otherwise, that may in any way be related to or disclosed by said drawings, specifications, or other data.

MATERIAL		DRAWN	R.MAO	DATE	17-Aug-11
REFERENCE	SIMILAR TO 27100 & RHV-115	ENGINEER	TOM	DATE	05-14-04
FINISH		APPROVED	S.HSIEH	DATE	17-Aug-11
		CAD FILE			
			I:\RHV\27000		

TITLE		MINIATURE H.V. RECEPTACLE UG-931/U	
SCALE:	5.0:1.0	SHEET	2 OF 2
DWG SIZE	B	REV	U

Amphenol RF	
www.amphenolrf.com	
DRAWING NO.	27000
ITEM NO.	27000
PART NO.	27000