

Excellent Integrated System Limited

Stocking Distributor

Click to view price, real time Inventory, Delivery & Lifecycle Information:

[Schurter](#)
[4300.0702](#)

For any questions, you can email us directly:
sales@integrated-circuit.com

NEMA line Outlet 5-15R, Snap-in Mounting, Front Side, V-Slot Terminal



Description

- Panel Mount:
- Snap-in, Front Side
- 1 Function:
- Line Outlet, Protection class I
- V-Slot- Connector

Approvals

- UL File Number: E103791
- CSA File Number: 73165

Characteristics

- Designed for standard applications

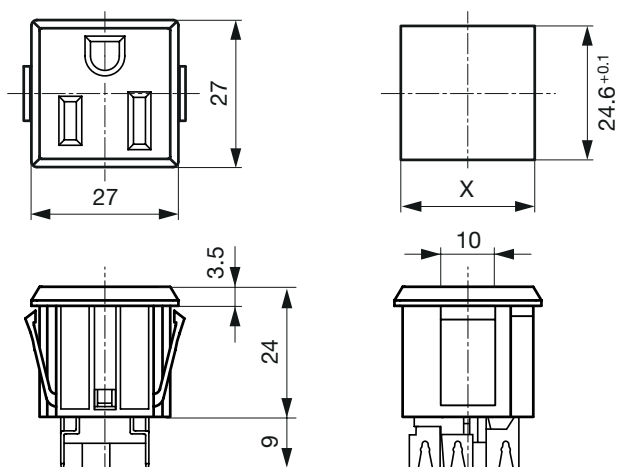
Weblinks

[pdf-datasheet](#), [html-datasheet](#), [General Product Information](#), [RoHS](#), [CHINA-RoHS](#), [REACH](#), [Distributor-Stock-Check](#), [Accessories](#), [Detailed request for product](#)

Technical Data

Ratings UL/CSA	15A / 125VAC; 60Hz
Allowable Operation Temp.	-25 °C to +60 °C
Degree of Protection	from front side IP 20 acc. to IEC 60529
Protection Class	Suitable for appliances with protection class I acc. to IEC 61140
Terminal	V-Slot- Connector
Panel Thickness s	Snap-in 0.8mm to 1.6mm
Material: Housing	Thermoplastic, black

Dimensions



Panel thickness X
 0.8 - 1.2 mm: 24.6 mm
 1.3 - 1.6 mm: 24.8 mm

0709-1

Connectors (Inlets/Outlets)
www.schurter.com/PG07

Assembly Instructions



Installation Diagram: V-slotted terminals for connecting multiple receptacles (only for solid bare wires from type 14 AWG)

All Variants

Type	Protection Class	Panel mounting	Panel Thicknesses [mm]	Terminal	Order Number
0709-1	I	Snap-in	0.8 -1.6	V-Slot- Connector	4300.0702

Availability for all products can be searched real-time: <http://www.schurter.com/Stock-Check/Stock-Check-SCHURTER>

Packaging unit 120 Pcs

Mating Inlets/Plugs

Category / Description

[Power Supply Cord Overview complete](#)



Cord Sets 16 A, Europlug, 2.5 m, Connector IEC C19, cord end:	6004.0395
Cord Sets 16 A, North America, 2.5 m, Connector IEC C19, cord end:	6009.5195
Cord Sets 10 A, North America, 2.5 m, Connector IEC C13, cord end:	6009.1315
Cord Sets 10 A, Japan, 2.0 m, Connector IEC C13, cord end:	6047.6414

[Power Supply Cord further types to 0709-1](#)