

Excellent Integrated System Limited

Stocking Distributor

Click to view price, real time Inventory, Delivery & Lifecycle Information:

[Schurter](#)
[4300.0705](#)

For any questions, you can email us directly:
sales@integrated-circuit.com

NEMA line Outlet 1-15R, Snap-in Mounting, Front Side, Solder Terminal



Snap-In Version



Description

- Panel Mount:
 - Snap-in, Front Side
- 1 Function:
 - Line Outlet, Protection class II
- Solder

Approvals

- UL File Number: E103791
- CSA File Number: 73165

Characteristics

- Designed for standard applications

References

Alternative: Version in protection class I 0709

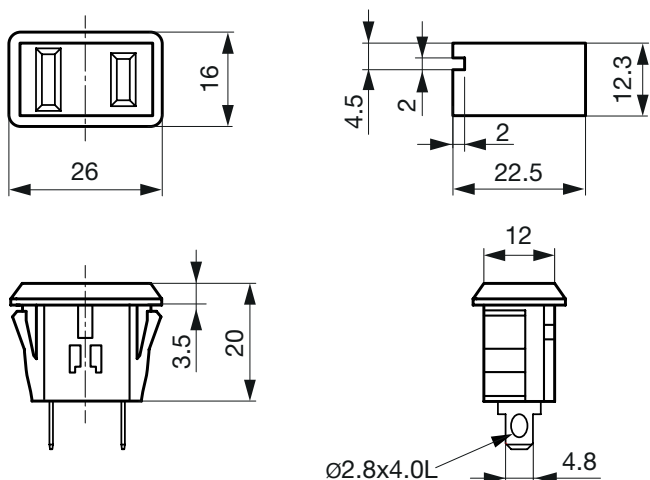
Weblinks

[pdf-datasheet](#), [html-datasheet](#), [General Product Information](#), [RoHS](#), [CHINA-RoHS](#), [REACH](#), [Distributor-Stock-Check](#), [Accessories](#), [Detailed request for product](#)

Technical Data

Ratings UL/CSA	15A / 125VAC; 60Hz
Allowable Operation Temp.	-40 °C to 60 °C
Degree of Protection	from front side IP 20 acc. to IEC 60529
Protection Class	Suitable for appliances with protection class II acc. to IEC 61140
Terminal	Solder terminals
Panel Thickness s	Snap-in 0.8mm to 1.5mm
Material: Housing	Thermoplastic, black

Dimensions



All Variants

Type	Protection Class	Panel mounting	Panel Thickness s [mm]	Terminal	Order Number
0715	II	Snap-in	0.8 to 1.5	Solder	4300.0705

Availability for all products can be searched real-time: <http://www.schurter.com/Stock-Check/Stock-Check-SCHURTER>

Packaging unit 200 Pcs

Mating Inlets/Plugs

Category / Description

[Power Supply Cord Overview complete](#)

Kabelverbindung/2.5, North America, Black, 2.5 SVT 2x18AWG, IEC C7, 002500 mm, cord end:

6051.0018

Cord Sets 2.5 A, North America, Black, 2.5 m, SVT 2x18AWG, IEC C7p, 002500 mm, cord end:

6052.0047

[Power Supply Cord further types to 0715](#)