

## Excellent Integrated System Limited

Stocking Distributor

Click to view price, real time Inventory, Delivery & Lifecycle Information:

[Schurter](#)  
[0031.2550](#)

For any questions, you can email us directly:  
[sales@integrated-circuit.com](mailto:sales@integrated-circuit.com)

**Fuseholders**
[www.schurter.com/PG02](http://www.schurter.com/PG02)

Shock-Safe Fuseholder, 5 x 20 / 6.3 x 32 mm, Slotted Cap, vertical



Socket with Slotted Cap

**Caps must be ordered separately (see accessories)**

500 VAC · 4 W/16 A (VDE) · 600 V · 30 A (UL/CSA)


**Description**

- Fuseholder for 600 VAC applications
- Fuseholder with high rated power acceptance
- Same drilling diagram (FUP and FUA)

**Unique Selling Proposition**

- Fuseholder for high performance applications
- High rated power acceptance

**Standards**

- IEC 60127-6
- UL 4248-1
- CSA C22.2 no. 4248.1

**Approvals**

- VDE Certificate Number: 40022057
- UL File Number: E39328


**Applications**

- Equipment with three-phase supply (400 VAC)
- Applications with rated current up to 16 A (VDE)

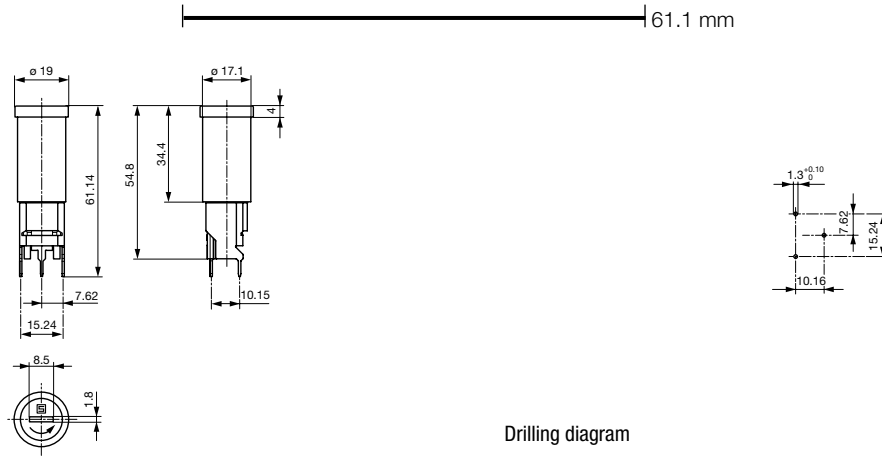
**Weblinks**

[pdf-datasheet](#), [html-datasheet](#), [General Product Information](#), [Approvals](#), [CE declaration of conformity](#), [RoHS](#), [CHINA-RoHS](#), [REACH](#), [SCHURTER-Stock-Check](#), [Distributor-Stock-Check](#), [Accessories](#), [Detailed request for product](#)

**Technical Data**

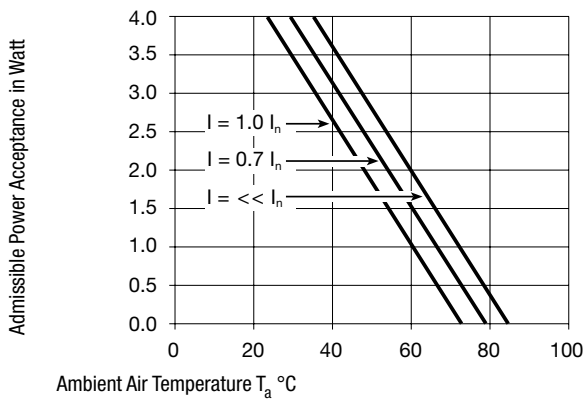
Shock-Safe Category	PC2	Soldering Methods	Wave <a href="#">Soldering Profile</a>
Fuse-Link	5 x 20 or 6.3 x 32 mm	Solderability	245 °C / 2 sec acc. to IEC 60068-2-20, Test Ta, method 1
Mounting	PCB	Resistance to Soldering Heat	260 °C / 10 sec acc. to IEC 60068-2-20, Test Tb, method 1
Terminal	Solder THT	Contact Resistance	≤ 10 mΩ at 20 mV acc. to IEC 60127-6
Rated Voltage	500 VAC (VDE), 600 V (UL/CSA)	Dielectric Strength	> 3 kV between Life parts (50 Hz; 1 min)
Rated current	16 A (VDE), 30 A (UL/CSA)	Impulse Withstand Voltage	> 4 kV between Life parts
Rated Power Acceptance IEC	4 W / 16 A @ Ta 23 °C Admissible power acceptance at higher ambient temperature see derating curves	Insulation Resistance	≥ 10 MΩ (500 VDC; 1 min)
Degree of Protection	IP 40	Overvoltage Category	III acc. to IEC 60664-1
Protection Class	Suitable for appliances with protection class I or II acc. to IEC 61140	Pollution Degree	3 (250 VAC), 2 (500 VAC) acc. to IEC 60664-1
Admissible Ambient Air Temp.	-40 °C to 85 °C	Resistance to Vibration	acc. to IEC 60068-2-6, test Fc
Material: Socket	Thermoset, black, UL 94V-0		
Material: Terminals	Tin-Plated Copper Alloy		
Unit Weight	15 g		
Storage Conditions	0 °C to 60 °C, max. 70% r.h.		
Product Marking	 Type, Rated Voltage, Power Acc./ Current Rating, Approvals		

Dimension



Drilling diagram

Derating Curves



All Variants

Holder	Cap	Fuse-Link	Degree of Protection	Remark	Order Number
●	-	5 x 20 or 6.3 x 32mm	IP 40	-	0031.2550
●	slotted	5 x 20mm	IP 40	0031.2550 + 0031.2323	0031.2560
●	slotted	6.3 x 32mm	IP 40	0031.2550 + 0031.2321	0031.2570

Most Popular.

Availability for all products can be searched real-time: <http://www.schurter.com/Stock-Check/Stock-Check-SCHURTER>

Packaging Unit Bulk (25 pcs.)

Required Accessory

Description



Caps to FUL, FUP, FUA  
Caps to Holder FUL, FUP, FUA

slotted, 6.3 x 32 mm, IP 40	0031.2321
slotted, 5 x 20 mm, IP 40	0031.2323