

## Excellent Integrated System Limited

Stocking Distributor

Click to view price, real time Inventory, Delivery & Lifecycle Information:

[Schurter](#)  
[TA35-EFTTF200C0](#)

For any questions, you can email us directly:

[sales@integrated-circuit.com](mailto:sales@integrated-circuit.com)

Circuit Breaker for Equipment thermal, Rotary knob actuation, 2 pole



#### Standards

- IEC 60934
- UL 1077
- CSA C22.2 No. 235
- GB 17701

#### Weblinks

[pdf-datasheet](#), [html-datasheet](#), [General Product Information](#), [Approvals](#), [CE declaration of conformity](#), [RoHS](#), [CHINA-RoHS](#), [REACH](#), [Distributor-Stock-Check](#), [Detailed request for product](#), [Product News](#)

# TA35 Rotary Switch 2Pol

Thermal (T- and TA-Line)  
[www.schurter.com/PG17\\_18\\_19](http://www.schurter.com/PG17_18_19)

## circuit breakers

### Thermal Circuit Breaker, rotary knob actuation, 1-, 2- or 3-pole

**NEW**



2-pole standard version



3-pole type without front bezel/knob



standard front bezel/knob



#### Description

- Thermal circuit breaker 1-, 2- or 3-pole
- Supplementary protector for general industrial use
- Positively trip-free release
- Bezel/knob snap-on
- Easy actuation with gloves
- Available without bezel/knob for customized front panel design

#### Applications

- Floor cleaning equipment
- Power tools
- Wood and stone working machines
- Equipment for building construction
- Industrial equipment

#### Standards

- IEC 60934
- UL 1077
- CSA C22.2 235
- GB 17701

#### Weblinks

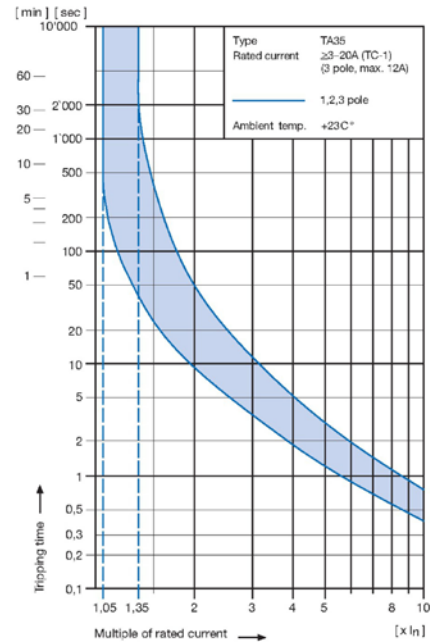
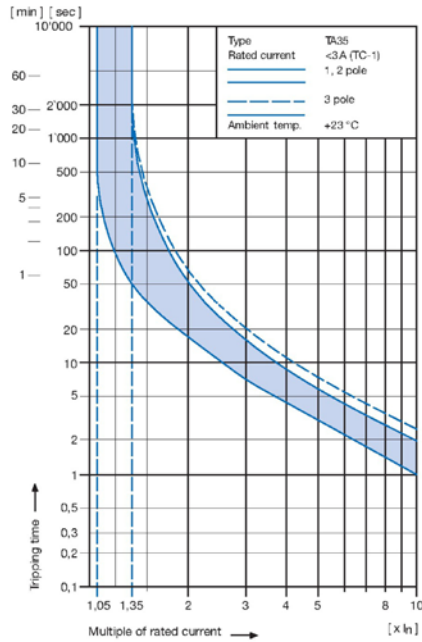
Approvals: <http://www.schurter.com/approvals>  
 RoHS: <http://www.schurter.com/rohs>

#### Technical Data

Rated voltage $U_c$	1-pole	AC 240 V / 50/60 Hz DC 32 V
	2-pole	AC 240 V / 50/60 Hz DC 60 V
	3-pole	AC 415 Y/240 V / 50/60 Hz
Rated current $I_n$	1- / 2-pole	0.05 – 20 A
	3-pole	0.05 – 12 A
Conditional short circuit $I_{nc}$	1- / 2-pole, AC 240 V	0.05...20 A; 2000 A, SC (C1)
	3-pole, AC 415 V	0.05...12 A; 2000 A
Degree of protection	Accessible range	IP 40
	Terminal slide	IP 00
Dielectric strength	50 Hz	> 2500 V
	Impulse 1.2/50 $\mu$ s	> 4000 V
Insulation resistance	DC 500 V	> 100 M $\Omega$ m
Endurance (typical)	Mechanical	50'000 cycles
	AC: $1 \times I_n$ , cos phi 0.6	50'000 cycles
	DC: $1 \times I_n$ , L/R = 2...3ms	50'000 cycles

Overload	IEC 60934	min. 40 cycles @ $6 \times I_n$ , cos phi 0.6
	UL 1077	min. 50 cycles @ $1.5 \times I_n$ , cos phi 0.75 (OL $\emptyset$ )
Admissible ambient air temperature		-30 °C to +60 °C
Resistance to vibration	IEC 60068-2-6, Test Tc	10...60 Hz: $\pm 0.75$ mm
		60...500 Hz: 10 G
Shock resistance	IEC 60068-2-27, Test Ea	30 G / 18 ms
Type of tripping		Thermal positively trip free
Weight	1-pole	45 g
	2-pole	60 g
	3-pole	75 g
Max. switching capacity for switch only types (without bimetal)	1-, 2-pole	20 A
	3-pole	12 A

**Tripping Characteristics**



The above tripping characteristics apply to symmetrical overloads on all poles on the TA35 only.

At asymmetric overloads on multi-pole types, the tripping characteristic will change.

- If a 2-pole type TA35 is loaded at one pole only, the tripping current will be shifted by factor **1.05** (TC-2).
- If a 3-pole type TA35 is loaded at one pole only, the tripping current will be shifted by factor **1.10** (TC-2).

To meet the above tripping characteristic at asymmetric overloads on multi-pole types, the value of the rated current of the CBE has to be multiplied by the factor mentioned above.

**Effect of ambient temperature**

The unit is calibrated for an ambient temperature of +23 °C. To determine the rated current for lower or higher ambient temperature, use a correction factor from the table below.

Ambient temperature [°C]	Correction factor		
	1-pole	2-pole	3-pole
-30	0.77	0.76	0.76
-20	0.81	0.81	0.81
0	0.90	0.90	0.90
+23	1.00	1.00	1.00
+40	1.03	1.03	1.06
+50	1.04	1.04	1.10
+60	1.06	1.06	1.14

**Example for 2-pole type:**

Rated current at +23 °C                    5.0 A  
 Ambient temperature                    +50 °C  
 Correction factor                         1.04  
 Chosen rated current at +40 °C  
 ambient temperature:                    **5 A x 1.04 = 5.2 A**

# TA35 Rotary Switch 2Pol

Thermal (T- and TA-Line)  
[www.schurter.com/PG17\\_18\\_19](http://www.schurter.com/PG17_18_19)

## circuit breakers

### Standard rated currents and typical internal resistance

Code	In [A]	Ri [ $\Omega$ ]
Z05	0.05	200.0
J01	0.1	70.0
J05	0.5	2.750
J10	1.0	0.720
J15	1.5	0.340
J20	2.0	0.187
J25	2.5	0.115
J28	2.8	0.089
030	3.0	0.059
040	4.0	0.059
050	5.0	0.044
060	6.0	0.028
070	7.0	0.0142
080	8.0	0.0142
100	10.0	0.0109
120	12.0	0.0086
140	14.0	0.0072
150	15.0	0.0056
160	16.0	0.0056
180	18.0	0.0052
200	20.0	0.0052

unprotected poles (without bimetal) 2.2 m $\Omega$

### Approvals

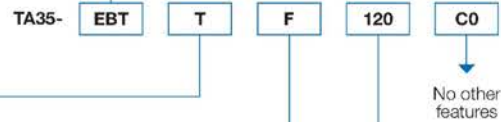
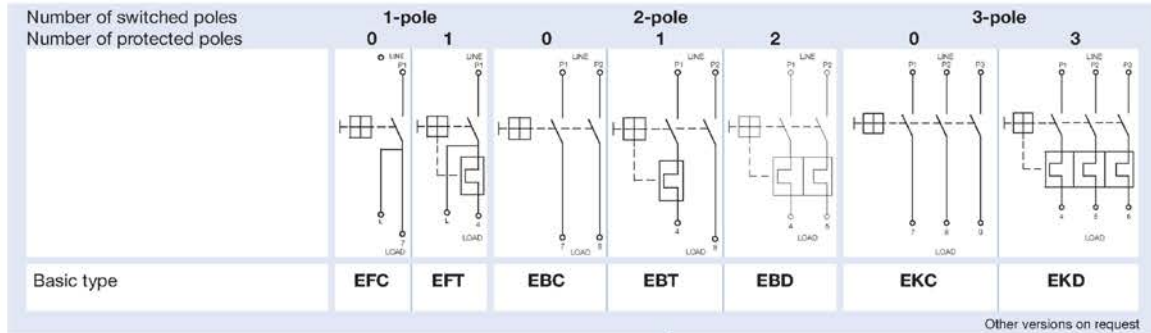
		# of poles	Rated currents	Rated voltage AC	Rated voltage DC	
	UL	UL 1077	1	0.05...20 A	240 V	32 V
			2	0.05...20 A	240 V	60 V
			3	0.05...12 A	415 Y/240 V	—
	UL	CSA C22.2 235	1	0.05...20 A	240 V	32 V
			2	0.05...20 A	240 V	60 V
			3	0.05...12 A	415 Y/240 V	—
	VDE	IEC 60934	1	0.05...20 A	240 V	32 V
			2	0.05...20 A	240 V	60 V
			3	0.05...12 A	415 Y/240 V	—
	CQC	GB 17701	1	0.05...20 A	240 V	32 V
			2	0.05...20 A	240 V	60 V
			3	0.05...12 A	415 Y/240 V	—

Actual information about approvals can be found on: [www.schurter.com/approvals](http://www.schurter.com/approvals).

**TA35**

www.schurter.com/pg17\_18\_19

**Order Code**



**Frontbezel and actuation knob**

	Bezel	Knob
<b>T</b>	black	black
<b>N</b>	without bezel	without knob

**Bezel marking**

	Surface	Symbol
<b>F</b>	relief recessed	I 0
<b>N</b>	no marking	no marking

Without thermal overload protection: code C00  
 With thermal overload protection: rated current  $I_n$  (A)

$I_n$	Code	$I_n$	Code	$I_n$	Code	$I_n$	Code
0.05	Z05	1.0	J10	4.0	040	14.0	140 *
0.1	J01	1.2	J12	5.0	050	15.0	150 *
0.2	J02	1.5	J15	6.0	060	16.0	160 *
0.3	J03	2.0	J20	7.0	070	18.0	180 *
0.4	J04	2.5	J25	8.0	080	20.0	200 *
0.5	J05	3.0	030	10.0	100		
0.8	J08	3.5	035	12.0	120		

Other rated currents on request.

\* 3-pole max. 12A

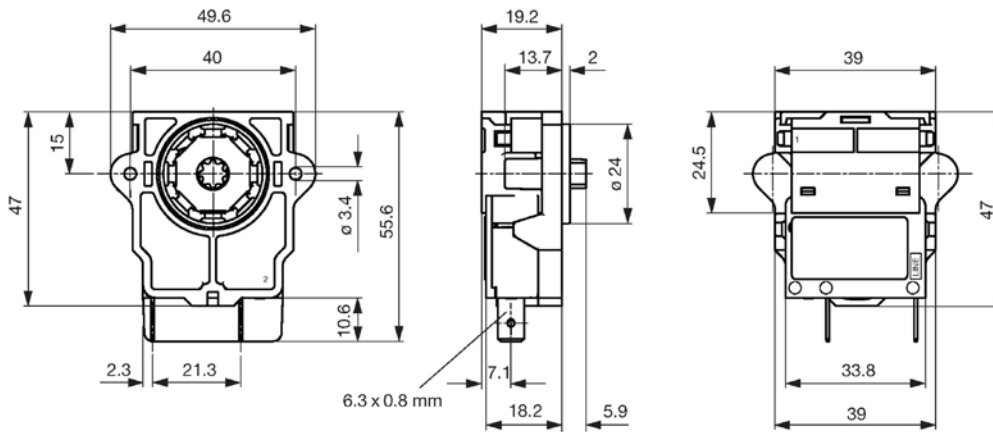
# TA35 Rotary Switch 2Pol

Thermal (T- and TA-Line)  
 www.schurter.com/PG17\_18\_19

circuit breakers

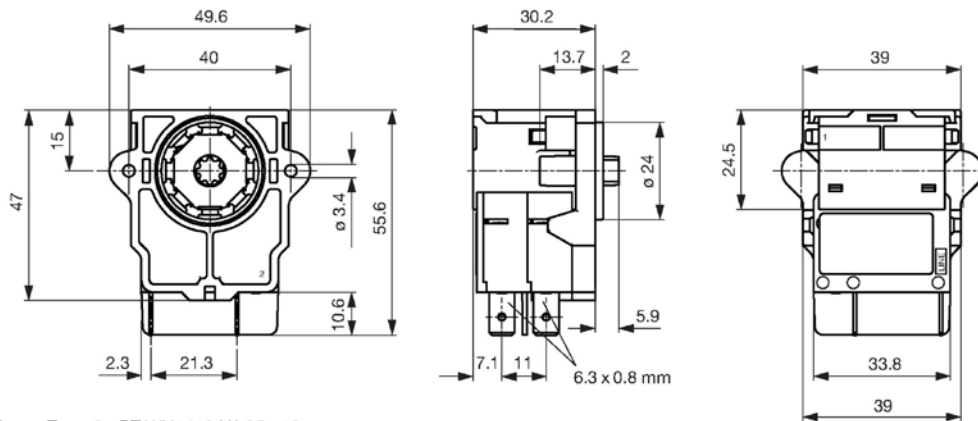
## Dimensions

### TA35 1-pole



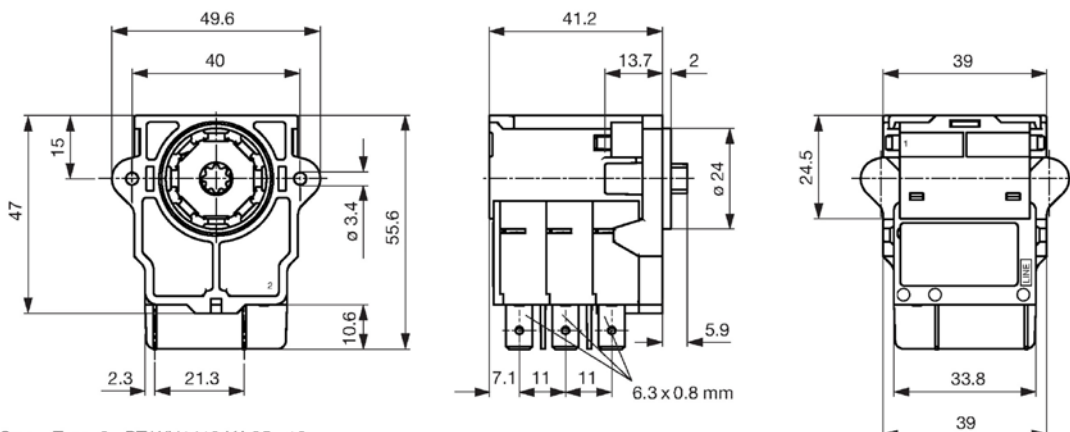
Screw Type: 2 x PT WN1413 KA35 x12

### TA35 2-pole



Screw Type: 2 x PT WN1413 KA35 x12

### TA35 3-pole



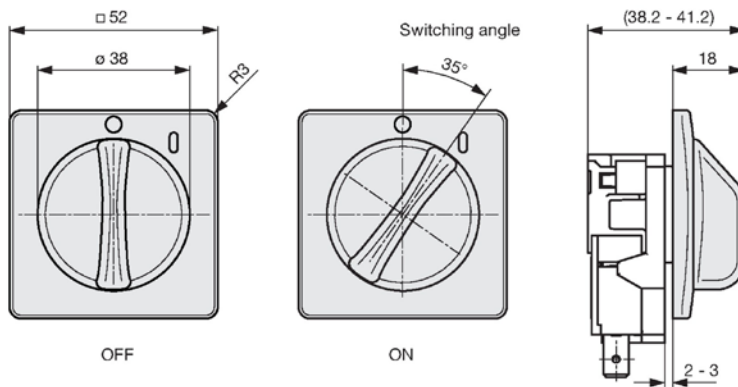
Screw Type: 2 x PT WN1413 KA35 x12



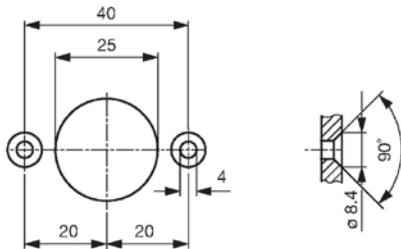
**TA35**

[www.schurter.com/pg17\\_18\\_19](http://www.schurter.com/pg17_18_19)

**Front bezel/knob**



**Cut-out**



**Mounting instructions**



Customer specific bezels/actuator designs possible



# TA35 Rotary Switch 2Pol

Thermal (T- and TA-Line)  
[www.schurter.com/PG17\\_18\\_19](http://www.schurter.com/PG17_18_19)

## circuit breakers

### Thermal Circuit Breaker, rotary knob actuation, 1-, 2- or 3-pole

**NEW**



2-pole standard version



3-pole type without front bezel/knob



standard front bezel/knob



#### Description

- Thermal circuit breaker 1-, 2- or 3-pole
- Supplementary protector for general industrial use
- Positively trip-free release
- Bezel/knob snap-on
- Easy actuation with gloves
- Available without bezel/knob for customized front panel design

#### Applications

- Floor cleaning equipment
- Power tools
- Wood and stone working machines
- Equipment for building construction
- Industrial equipment

#### Standards

- IEC 60934
- UL 1077
- CSA C22.2 235
- GB 17701

#### Weblinks

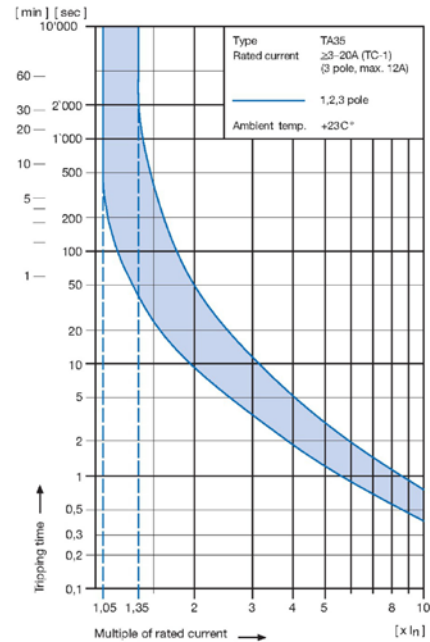
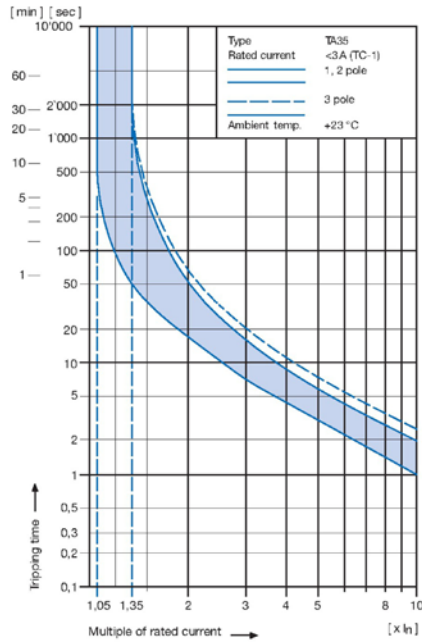
Approvals: <http://www.schurter.com/approvals>  
 RoHS: <http://www.schurter.com/rohs>

#### Technical Data

Rated voltage $U_e$	1-pole	AC 240 V / 50/60 Hz DC 32 V
	2-pole	AC 240 V / 50/60 Hz DC 60 V
	3-pole	AC 415 Y/240 V / 50/60 Hz
Rated current $I_n$	1- / 2-pole	0.05 – 20 A
	3-pole	0.05 – 12 A
Conditional short circuit $I_{nc}$	1- / 2-pole, AC 240 V	0.05...20 A; 2000 A, SC (C1)
	3-pole, AC 415 V	0.05...12 A; 2000 A
Degree of protection	Accessible range	IP 40
	Terminal slide	IP 00
Dielectric strength	50 Hz	> 2500 V
	Impulse 1.2/50 $\mu$ s	> 4000 V
Insulation resistance	DC 500 V	> 100 M $\Omega$ m
Endurance (typical)	Mechanical	50'000 cycles
	AC: $1 \times I_n$ , cos phi 0.6	50'000 cycles
	DC: $1 \times I_n$ , L/R = 2...3ms	50'000 cycles

Overload	IEC 60934	min. 40 cycles @ $6 \times I_n$ , cos phi 0.6
	UL 1077	min. 50 cycles @ $1.5 \times I_n$ , cos phi 0.75 (OL $\emptyset$ )
Admissible ambient air temperature		-30 °C to +60 °C
Resistance to vibration	IEC 60068-2-6, Test Tc	10...60 Hz: $\pm 0.75$ mm
		60...500 Hz: 10 G
Shock resistance	IEC 60068-2-27, Test Ea	30 G / 18 ms
Type of tripping		Thermal positively trip free
Weight	1-pole	45 g
	2-pole	60 g
	3-pole	75 g
Max. switching capacity for switch only types (without bimetal)	1-, 2-pole	20 A
	3-pole	12 A

**Tripping Characteristics**



The above tripping characteristics apply to symmetrical overloads on all poles on the TA35 only.

At asymmetric overloads on multi-pole types, the tripping characteristic will change.

- If a 2-pole type TA35 is loaded at one pole only, the tripping current will be shifted by factor **1.05** (TC-2).
- If a 3-pole type TA35 is loaded at one pole only, the tripping current will be shifted by factor **1.10** (TC-2).

To meet the above tripping characteristic at asymmetric overloads on multi-pole types, the value of the rated current of the CBE has to be multiplied by the factor mentioned above.

**Effect of ambient temperature**

The unit is calibrated for an ambient temperature of +23 °C. To determine the rated current for lower or higher ambient temperature, use a correction factor from the table below.

Ambient temperature [°C]	Correction factor		
	1-pole	2-pole	3-pole
-30	0.77	0.76	0.76
-20	0.81	0.81	0.81
0	0.90	0.90	0.90
+23	1.00	1.00	1.00
+40	1.03	1.03	1.06
+50	1.04	1.04	1.10
+60	1.06	1.06	1.14

**Example for 2-pole type:**

Rated current at +23 °C            5.0 A  
 Ambient temperature            +50 °C  
 Correction factor                1.04  
 Chosen rated current at +40 °C ambient temperature:    **5 A x 1.04 = 5.2 A**

# TA35 Rotary Switch 2Pol

Thermal (T- and TA-Line)  
[www.schurter.com/PG17\\_18\\_19](http://www.schurter.com/PG17_18_19)

## circuit breakers

### Standard rated currents and typical internal resistance

Code	In [A]	Ri [ $\Omega$ ]
Z05	0.05	200.0
J01	0.1	70.0
J05	0.5	2.750
J10	1.0	0.720
J15	1.5	0.340
J20	2.0	0.187
J25	2.5	0.115
J28	2.8	0.089
030	3.0	0.059
040	4.0	0.059
050	5.0	0.044
060	6.0	0.028
070	7.0	0.0142
080	8.0	0.0142
100	10.0	0.0109
120	12.0	0.0086
140	14.0	0.0072
150	15.0	0.0056
160	16.0	0.0056
180	18.0	0.0052
200	20.0	0.0052

unprotected poles (without bimetal) 2.2 m $\Omega$

### Approvals

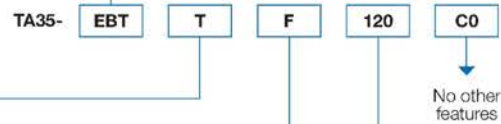
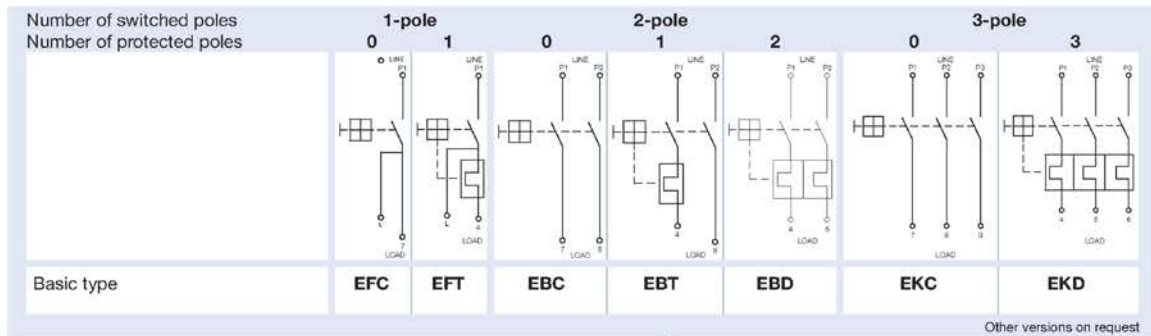
		# of poles	Rated currents	Rated voltage AC	Rated voltage DC	
	UL	UL 1077	1	0.05...20 A	240 V	32 V
			2	0.05...20 A	240 V	60 V
			3	0.05...12 A	415 Y/240 V	—
	UL	CSA C22.2 235	1	0.05...20 A	240 V	32 V
			2	0.05...20 A	240 V	60 V
			3	0.05...12 A	415 Y/240 V	—
	VDE	IEC 60934	1	0.05...20 A	240 V	32 V
			2	0.05...20 A	240 V	60 V
			3	0.05...12 A	415 Y/240 V	—
	CQC	GB 17701	1	0.05...20 A	240 V	32 V
			2	0.05...20 A	240 V	60 V
			3	0.05...12 A	415 Y/240 V	—

Actual information about approvals can be found on: [www.schurter.com/approvals](http://www.schurter.com/approvals).

TA35

www.schurter.com/pg17\_18\_19

Order Code



Frontbezel and actuation knob

	Bezel	Knob
T	black	black
N	without bezel	without knob

Bezel marking

	Surface	Symbol
F	relief recessed	I 0
N	no marking	no marking

Without thermal overload protection: code C00  
 With thermal overload protection: rated current  $I_n$  (A)

$I_n$	Code	$I_n$	Code	$I_n$	Code	$I_n$	Code
0.05	Z05	1.0	J10	4.0	040	14.0	140 *
0.1	J01	1.2	J12	5.0	050	15.0	150 *
0.2	J02	1.5	J15	6.0	060	16.0	160 *
0.3	J03	2.0	J20	7.0	070	18.0	180 *
0.4	J04	2.5	J25	8.0	080	20.0	200 *
0.5	J05	3.0	030	10.0	100		
0.8	J08	3.5	035	12.0	120		

Other rated currents on request.

\* 3-pole max. 12A

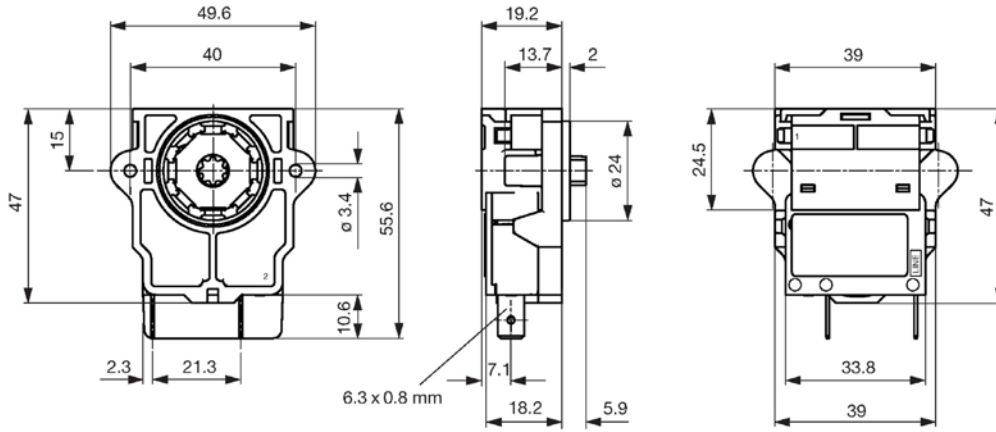
# TA35 Rotary Switch 2Pol

Thermal (T- and TA-Line)  
 www.schurter.com/PG17\_18\_19

circuit breakers

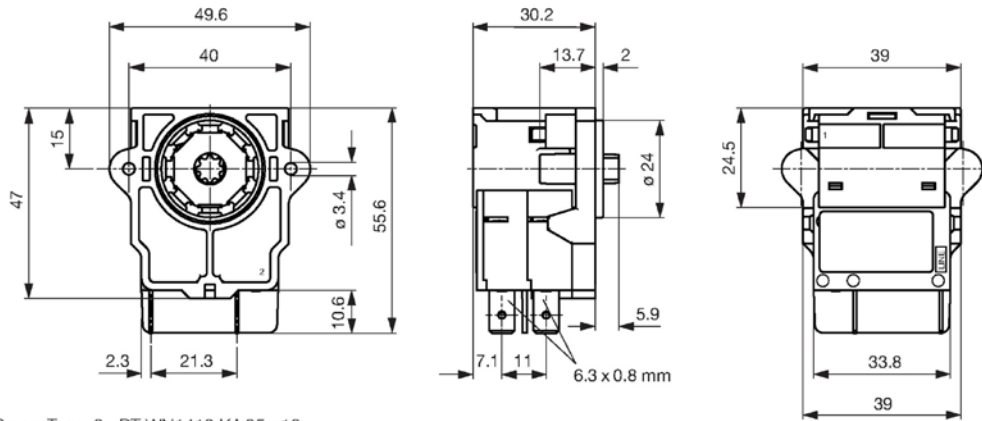
## Dimensions

### TA35 1-pole



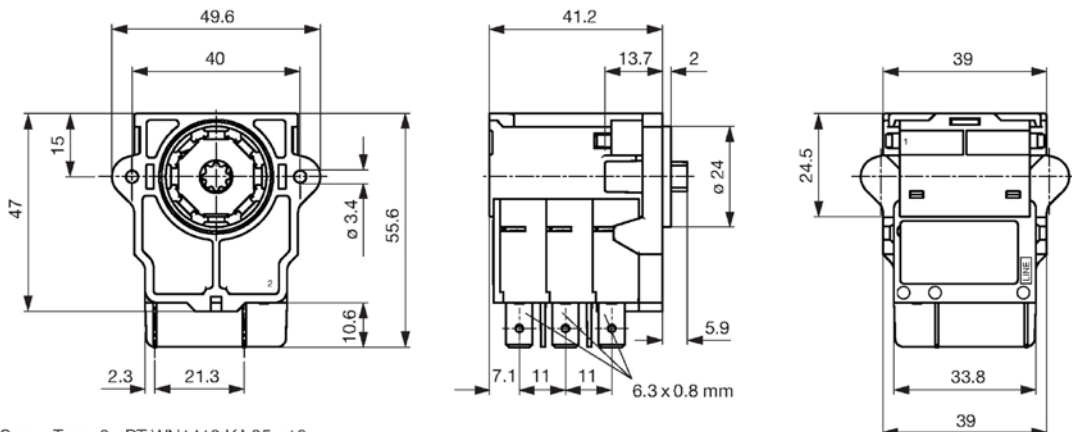
Screw Type: 2 x PT WN1413 KA35 x12

### TA35 2-pole



Screw Type: 2 x PT WN1413 KA35 x12

### TA35 3-pole

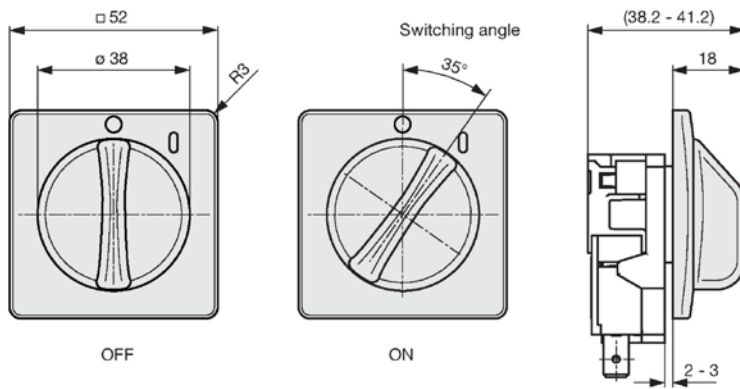


Screw Type: 2 x PT WN1413 KA35 x12

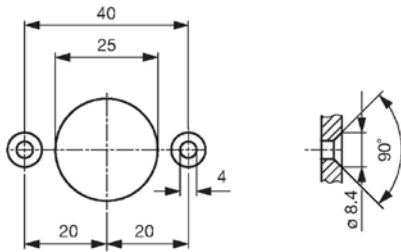
**TA35**

www.schurter.com/pg17\_18\_19

**Front bezel/knob**



**Cut-out**



**Mounting instructions**



Customer specific bezels/actuator designs possible