

## **Excellent Integrated System Limited**

Stocking Distributor

Click to view price, real time Inventory, Delivery & Lifecycle Information:

[Schurter](#)  
[4850.2300](#)

For any questions, you can email us directly:

[sales@integrated-circuit.com](mailto:sales@integrated-circuit.com)

**DIN Plug/Socket**

[www.schurter.com/PG12\\_3](http://www.schurter.com/PG12_3)

DIN Connector, Socket, 3-pole, solder terminals for PCB



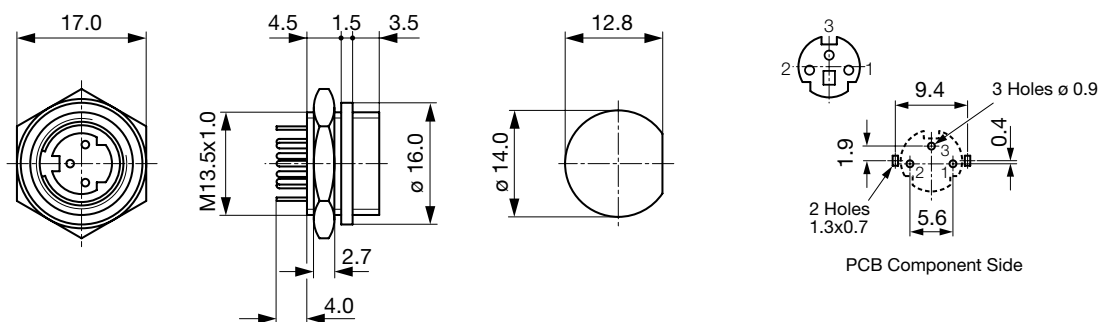
**Description**

- PCB Mounting:  
Screw-on mounting, from rear-side
- DIN Plug: 3-pole, straight

**Technical Data**

Diameter	9.0 mm	Allowable Operation Temp.	-20°C to 70°C
Number of Poles	3-pole	Terminal	PCB terminals silver plated
Ratings DC	1 A / 12 VDC	Mounting	Screw-on mounting
Ratings AC	1 A / 100 VAC		max. 2.0mm
Dielectric Strength	250VAC	Lifetime	5000Insertions
Insulation Resistance	> 50 MΩ @ 250VDC		

**Dimensions**



**All Variants**

Product group	Diameter [mm]	Number of Poles	Terminal	Order Number
DIN Plug/Socket	9.0	3-pole	PCB terminals	4850.2300

Availability for all products can be searched real-time: <http://www.schurter.com/Stock-Check/Stock-Check-SCHURTER>

**Packaging unit** 250 Pcs

4850.2300

DIN Plug/Socket  
www.schurter.com/PG12\_3

## Mating Inlets/Plugs

## Category / Description

[DIN Plug/Socket Overview complete](#)

4850, 3-pole, Plug, solder terminal, DIN Plug/Socket

4850.1310

[DIN Plug/Socket further types to 4850.2300](#)