

Excellent Integrated System Limited

Stocking Distributor

Click to view price, real time Inventory, Delivery & Lifecycle Information:

[Schurter](#)
[6051.0009](#)

For any questions, you can email us directly:
sales@integrated-circuit.com

Power Supply Cord with UK Power (Mains) Plug 3-pole, Angled



United Kingdom



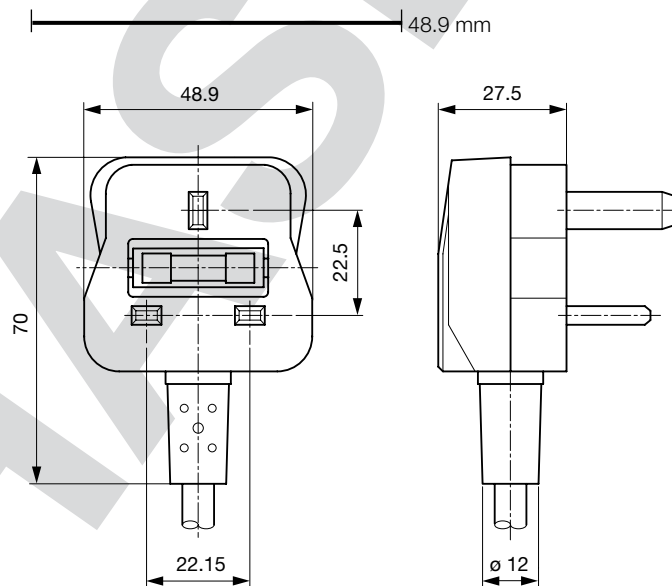
AS 3112


Description

Power Supply Cord, protection class I or II, Pin temperature 70 °C, Cable

Weblinks
[pdf](#), [html](#), [General Product Information](#), [Approvals](#), [RoHS](#), [CHINA-RoHS](#), [Mating Connectors](#), [e-Shop](#), [SCHURTER-Stock-Check](#), [Distributor-Stock-Check](#), [Accessories](#), [Detailed request for product](#)
Technical Data

Ratings IEC	13A / 250VAC; 50Hz
Ratings UL/CSA	13A / 250VAC; 60Hz
Dielectric Strength	> 2kVDC between L-N > 2kVAC between L/N-PE (1 min/50Hz)
Allowable Operation Temp.	-25 °C to 70 °C
Degree of Protection	from front side IP 20 acc. to IEC 60529
Protection Class	Suitable for appliances with protection class 1 or 2 acc. to IEC 61140
Terminal	moulded
Material: Housing	PVC, black or grey

Dimensions


Config. Code

2343 - R - Type - D - Length

The characters are placeholders for the correspondingly keys of selections from the key tables.
 Typ steht für die Dose bzw. 2. Seite, Länge ist die Leitungslänge in mm.

2343 - R - Type - D - Length = cord type

cord type	Configuration key
H03VV-F 2x0,75mm2	A
H03VWH2-F 2x0,75mm2	B
H03VV-F 3G0,75mm2	C
H05VV-F 2x0,75mm2	D
H05VV-F 2x1,0mm2	F
H05VV-F 3G0,75mm2	G
H05RR-F 3G0,75mm2	H
H05VV-F 3G1,0mm2	I
H05VV-F 3G1,5mm2	K
special cord	Z

Cord definition is detailed in general product information XXX

2343 - R - Type - D - Length = Cord end 2

Cord end 2
zzzz, 0301, 3013, 3016, 3020, 3030, 3113, 3127, 3130, 9011

2343 - R - Type - D - Length = Color

Color	Configuration key
Black	A
Grey	B

2343 - R - Type - D - Length = Cord length

Cord length
zzzz, 000500, 001000, 001500, 002000, 002500, 003000, 005000

Cord length in mm

Packaging unit 100 Pcs

PHASER