

Excellent Integrated System Limited

Stocking Distributor

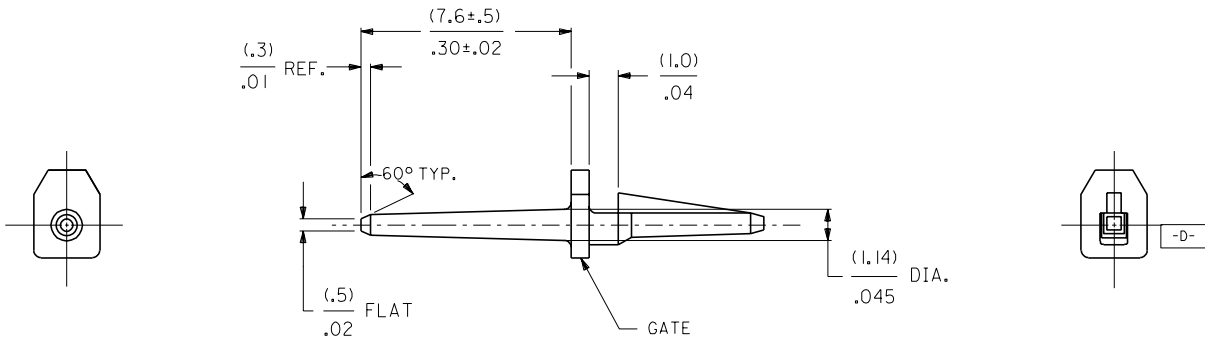
Click to view price, real time Inventory, Delivery & Lifecycle Information:

[Molex Connector Corporation](#)
[15-04-9210](#)

For any questions, you can email us directly:
sales@integrated-circuit.com

NOTES:

1. RECOMMENDED P.C. BOARD HOLE DIA. (.150) / .059 MIN.



4161-2
15-04-9210

---	SEE SHEET 1.....	---	SEE SHEET 1.....
---	SEE SHEET 1.....	---	SEE SHEET 1.....
---	SEE SHEET 1.....	---	SEE SHEET 1.....
---	SEE SHEET 1.....	---	SEE SHEET 1.....
---	SEE SHEET 1.....	---	SEE SHEET 1.....
---	SEE SHEET 1.....	---	SEE SHEET 1.....
LTR.	REVISIONS	LTR.	REVISIONS

DIMENSIONS SHOWN (METRIC) (INCH)	
UNLESS OTHERWISE SPECIFIED TOLERANCES: ANGULAR $\pm 1/2^\circ$	
3 PLACE	$\pm .010$ ---
2 PLACE	$\pm .014$ $\pm .25$
1 PLACE	--- $\pm .36$
DRAFT WHERE APPLICABLE MUST REMAIN WITHIN DIMENSIONS	
DRWG. BY	GUZIK
CHK'D. BY	PATEL
APP'D. BY	LENZ
SCALE	---

REVISIONS		REVISE ONLY ON CAD SYSTEM	
TITLE: (POLARIZING PEG) FOR KK (2.54) / .100			
MOLEX INCORPORATED		SHEET NO. 2	DATE 10/16/87
LISLE, ILL. 60532 U.S.A.		DRWG. NO. SD-4161	
FILE NAME: S4161X2	THIS DRAWING CONTAINS INFORMATION THAT IS PROPRIETARY TO MOLEX INC. AND SHOULD NOT BE USED WITHOUT WRITTEN PERMISSION		DIV. SIZE: KK B