

Excellent Integrated System Limited

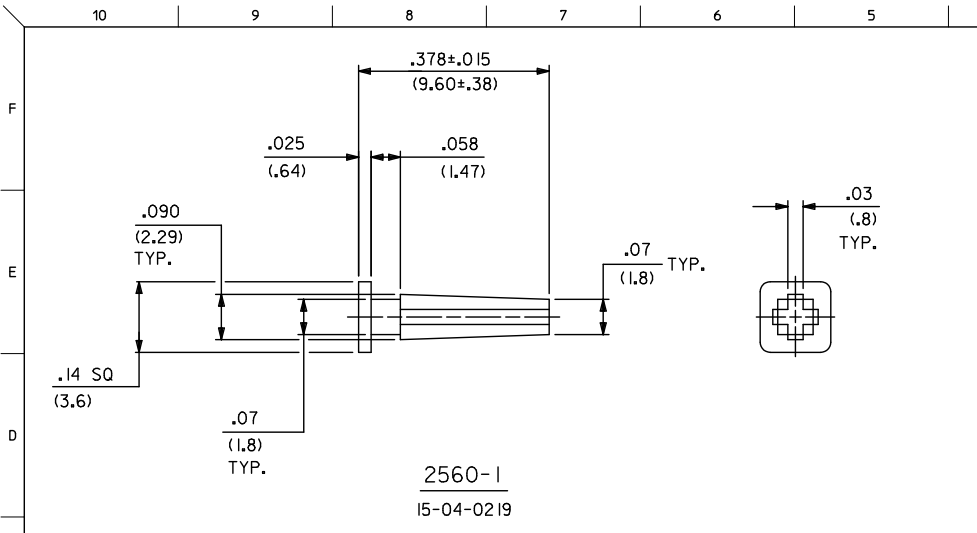
Stocking Distributor

Click to view price, real time Inventory, Delivery & Lifecycle Information:

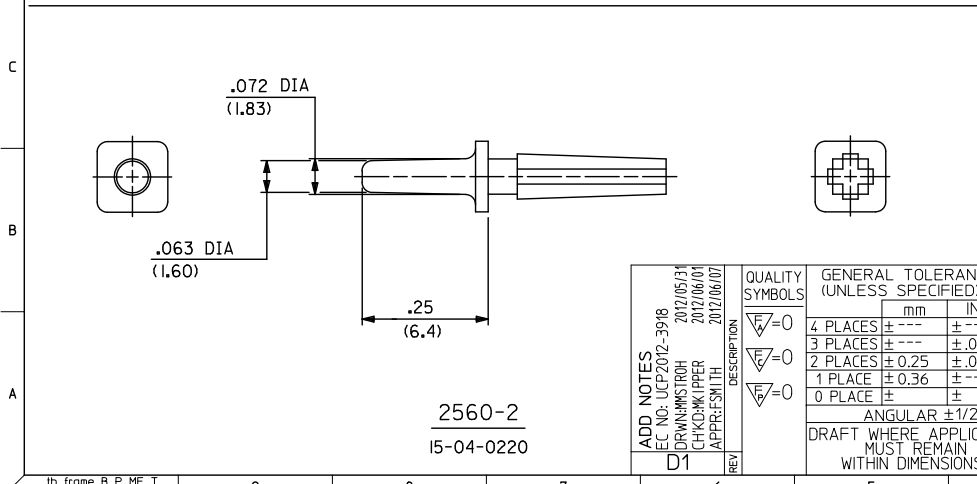
[Molex Connector Corporation](#)
[0015040220](#)

For any questions, you can email us directly:

sales@integrated-circuit.com



NOTES:
 1. MATERIAL: NYLON, UL94V-2. COLOR: NATURAL
 2. FINISH: N/A
 3. DIMENSIONS GIVEN ACROSS CENTERLINES ARE SYMMETRICAL ABOUT THOSE CENTERLINES WITHIN HALF THE TOTAL TOLERANCE.
 4. FOR USE WITH 2139, 3069, AND 2145 SERIES.
 5. THIS PART CONFORMS TO CLASS B REQUIREMENTS OF COSMETIC SPECIFICATION PS-45499-002.



ADD NOTES EC NO: LCP2012-3918 DRAWN BY: DRINMMSTROH 2012/06/11 CHECKED BY: CHUCKM/PPER 2012/06/01 APPROVED BY: SMITH 2012/06/07	QUALITY SYMBOLS ▽=0 ▽=0 ▽=0	GENERAL TOLERANCES (UNLESS SPECIFIED)		DIMENSION STYLE		SCALE	DESIGN UNITS	THIRD ANGLE PROJECTION
		m/m	INCH	IN/MM	INCH	5:1	INCH	☉ □
REV D1	4 PLACES	±	---	±	---	DRAWN BY	DATE	TITLE KK .156/(3.96) POLARIZING KEYS WITH AND WITHOUT BOSS molex SD-2560
	3 PLACES	±	---	±	.005	SAMIEC	1987/07/30	
	2 PLACES	±	0.25	±	.010	CHECKED BY	DATE	
	1 PLACE	±	0.36	±	---	PATEL	1987/07/30	
	0 PLACE	±	---	±	---	APPROVED BY	DATE	
ANGULAR ±1/2°		DRAFT WHERE APPLICABLE MUST REMAIN WITHIN DIMENSIONS		MATERIAL NO.		DOCUMENT NO.		SHEET NO.
				SEE CHART		SD-2560		1 OF 1
				SIZE B		THIS DRAWING CONTAINS INFORMATION THAT IS PROPRIETARY TO MOLEX INCORPORATED AND SHOULD NOT BE USED WITHOUT WRITTEN PERMISSION		