

## Excellent Integrated System Limited

Stocking Distributor

Click to view price, real time Inventory, Delivery & Lifecycle Information:

[International Rectifier \(Infineon Technologies Americas Corp.\)  
IRFIZ46N](#)

For any questions, you can email us directly:

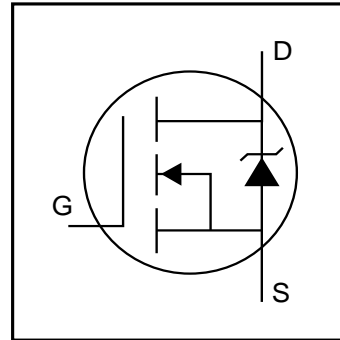
[sales@integrated-circuit.com](mailto:sales@integrated-circuit.com)

- Advanced Process Technology
- Isolated Package
- High Voltage Isolation = 2.5KVRMS ⑤
- Sink to Lead Creepage Dist. = 4.8mm
- Fully Avalanche Rated

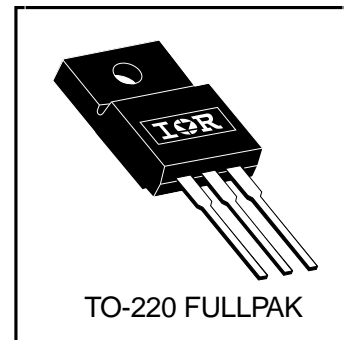
## Description

Fifth Generation HEXFETs from International Rectifier utilize advanced processing techniques to achieve the lowest possible on-resistance per silicon area. This benefit, combined with the fast switching speed and ruggedized device design that HEXFET Power MOSFETs are well known for, provides the designer with an extremely efficient device for use in a wide variety of applications.

The TO-220 Fullpak eliminates the need for additional insulating hardware in commercial-industrial applications. The moulding compound used provides a high isolation capability and a low thermal resistance between the tab and external heatsink. This isolation is equivalent to using a 100 micron mica barrier with standard TO-220 product. The Fullpak is mounted to a heatsink using a single clip or by a single screw fixing.



|                            |
|----------------------------|
| $V_{DSS} = 55V$            |
| $R_{DS(on)} = 0.020\Omega$ |
| $I_D = 33A$                |



## Absolute Maximum Ratings

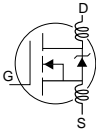
|                           | Parameter   | Max.                  | Units |
|---------------------------|---|-----------------------|-------|
| $I_D @ T_C = 25^\circ C$  | Continuous Drain Current, $V_{GS} @ 10V$            | 33                    | A     |
| $I_D @ T_C = 100^\circ C$ | Continuous Drain Current, $V_{GS} @ 10V$            | 23                    |       |
| $I_{DM}$                  | Pulsed Drain Current ①⑥                             | 180                   |       |
| $P_D @ T_C = 25^\circ C$  | Power Dissipation                                   | 45                    | W     |
|                           | Linear Derating Factor                              | 0.3                   | W/°C  |
| $V_{GS}$                  | Gate-to-Source Voltage                              | $\pm 20$              | V     |
| $E_{AS}$                  | Single Pulse Avalanche Energy ②⑥                    | 230                   | mJ    |
| $I_{AR}$                  | Avalanche Current ①⑥                                | 16                    | A     |
| $E_{AR}$                  | Repetitive Avalanche Energy ①⑥                      | 4.5                   | mJ    |
| dv/dt                     | Peak Diode Recovery dv/dt ③⑥                        | 5.0                   | V/ns  |
| $T_J$<br>$T_{STG}$        | Operating Junction and<br>Storage Temperature Range | -55 to + 175          | °C    |
|                           | Soldering Temperature, for 10 seconds               | 300 (1.6mm from case) |       |
|                           | Mounting torque, 6-32 or M3 screw.                  | 10 lbf•in (1.1N•m)    |       |

## Thermal Resistance

|                 | Parameter           | Min. | Typ. | Max. | Units |
|-----------------|---------------------|------|------|------|-------|
| $R_{\theta JC}$ | Junction-to-Case    | —    | —    | 3.3  | °C/W  |
| $R_{\theta JA}$ | Junction-to-Ambient | —    | —    | 65   |       |

# IRFIZ46N

## Electrical Characteristics @ $T_J = 25^\circ\text{C}$ (unless otherwise specified)

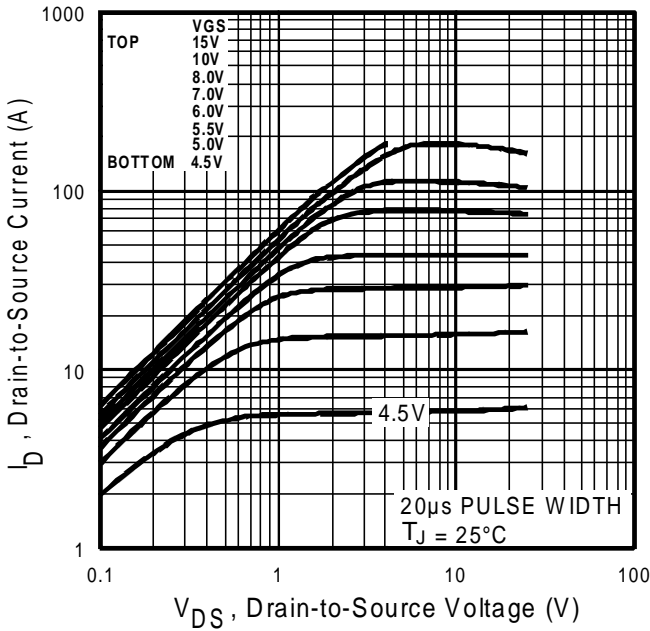
|                                 | Parameter                            | Min. | Typ.  | Max.  | Units               | Conditions  |
|---------------------------------|--------------------------------------|------|-------|-------|---------------------|---|
| $V_{(BR)DSS}$                   | Drain-to-Source Breakdown Voltage    | 55   | —     | —     | V                   | $V_{GS} = 0V, I_D = 250\mu A$   |
| $\Delta V_{(BR)DSS}/\Delta T_J$ | Breakdown Voltage Temp. Coefficient  | —    | 0.017 | —     | V/ $^\circ\text{C}$ | Reference to $25^\circ\text{C}$ , $I_D = 1\text{mA}$ ⑥                                |
| $R_{DS(on)}$                    | Static Drain-to-Source On-Resistance | —    | —     | 0.020 | $\Omega$            | $V_{GS} = 10V, I_D = 19A$ ④   |
| $V_{GS(th)}$                    | Gate Threshold Voltage               | 2.0  | —     | 4.0   | V                   | $V_{DS} = V_{GS}, I_D = 250\mu A$   |
| $g_{fs}$                        | Forward Transconductance             | 16   | —     | —     | S                   | $V_{DS} = 25V, I_D = 28A$ ⑥   |
| $I_{DSS}$                       | Drain-to-Source Leakage Current      | —    | —     | 25    | $\mu A$             | $V_{DS} = 55V, V_{GS} = 0V$   |
|                                 |                                      | —    | —     | 250   |                     | $V_{DS} = 44V, V_{GS} = 0V, T_J = 150^\circ\text{C}$                                  |
| $I_{GSS}$                       | Gate-to-Source Forward Leakage       | —    | —     | 100   | nA                  | $V_{GS} = 20V$  |
|                                 | Gate-to-Source Reverse Leakage       | —    | —     | -100  |                     | $V_{GS} = -20V$   |
| $Q_g$                           | Total Gate Charge                    | —    | —     | 61    | nC                  | $I_D = 28A$   |
| $Q_{gs}$                        | Gate-to-Source Charge                | —    | —     | 13    |                     | $V_{DS} = 44V$  |
| $Q_{gd}$                        | Gate-to-Drain ("Miller") Charge      | —    | —     | 24    |                     | $V_{GS} = 10V$ , See Fig. 6 and 13 ④⑥   |
| $t_{d(on)}$                     | Turn-On Delay Time                   | —    | 12    | —     | ns                  | $V_{DD} = 28V$  |
| $t_r$                           | Rise Time                            | —    | 80    | —     |                     | $I_D = 28A$   |
| $t_{d(off)}$                    | Turn-Off Delay Time                  | —    | 43    | —     |                     | $R_G = 12\Omega$  |
| $t_f$                           | Fall Time                            | —    | 52    | —     |                     | $R_D = 0.98\Omega$ , See Fig. 10 ④⑥   |
| $L_D$                           | Internal Drain Inductance            | —    | 4.5   | —     | nH                  | Between lead,<br>6mm (0.25in.)<br>from package<br>and center of die contact           |
| $L_S$                           | Internal Source Inductance           | —    | 7.5   | —     |                     |  |
| $C_{iss}$                       | Input Capacitance                    | —    | 1500  | —     | pF                  | $V_{GS} = 0V$   |
| $C_{oss}$                       | Output Capacitance                   | —    | 450   | —     |                     | $V_{DS} = 25V$  |
| $C_{rss}$                       | Reverse Transfer Capacitance         | —    | 160   | —     |                     | $f = 1.0\text{MHz}$ , See Fig. 5⑥   |
| C                               | Drain to Sink Capacitance            | —    | 12    | —     |                     | $f = 1.0\text{MHz}$   |

## Source-Drain Ratings and Characteristics

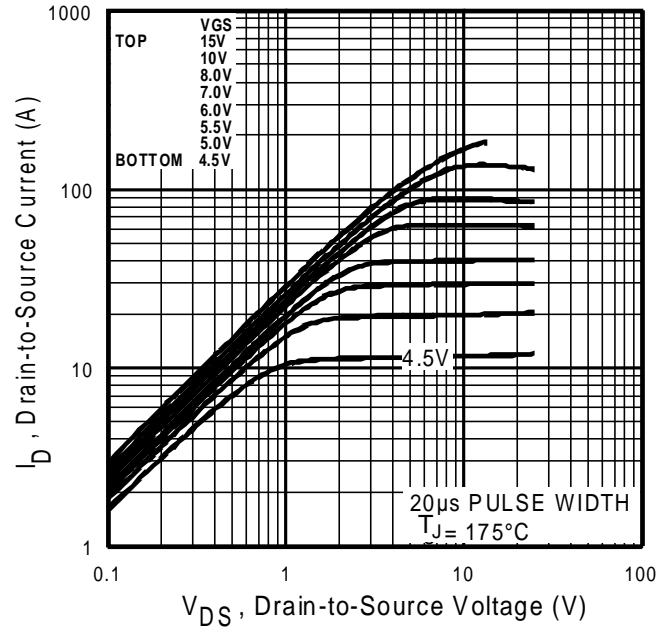
|          | Parameter                                 | Min. | Typ. | Max. | Units | Conditions  |
|----------|---|------|------|------|-------|---|
| $I_S$    | Continuous Source Current<br>(Body Diode) | —    | —    | 33   | A     | MOSFET symbol<br>showing the<br>integral reverse<br>p-n junction diode. |
| $I_{SM}$ | Pulsed Source Current<br>(Body Diode) ①⑥  | —    | —    | 180  |       |   |
| $V_{SD}$ | Diode Forward Voltage                     | —    | —    | 1.3  | V     | $T_J = 25^\circ\text{C}, I_S = 19A, V_{GS} = 0V$ ④                      |
| $t_{rr}$ | Reverse Recovery Time                     | —    | 72   | 110  | ns    | $T_J = 25^\circ\text{C}, I_F = 28A$                                     |
| $Q_{rr}$ | Reverse Recovery Charge                   | —    | 210  | 310  | nC    | $di/dt = 100A/\mu s$ ④⑥   |

### Notes:

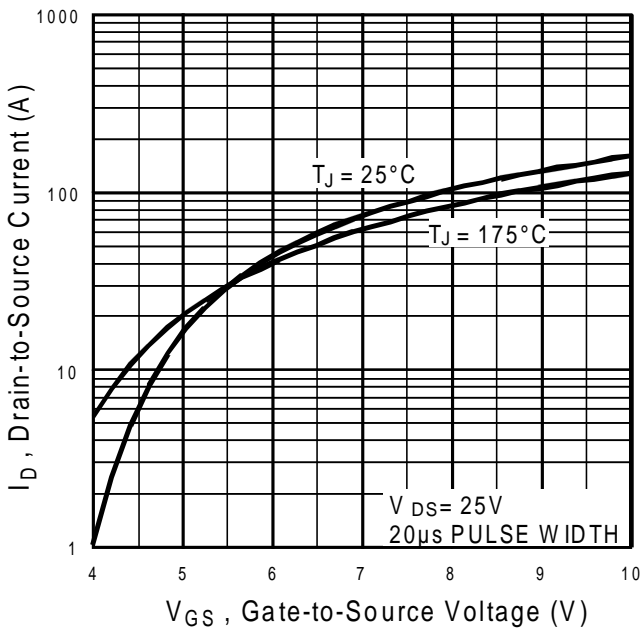
- ① Repetitive rating; pulse width limited by max. junction temperature. ( See fig. 11 )
- ②  $V_{DD} = 25V$ , starting  $T_J = 25^\circ\text{C}$ ,  $L = 410\mu H$   
 $R_G = 25\Omega$ ,  $I_{AS} = 28A$ . (See Figure 12)
- ③  $I_{SD} \leq 28A$ ,  $di/dt \leq 240A/\mu s$ ,  $V_{DD} \leq V_{(BR)DSS}$ ,  
 $T_J \leq 175^\circ\text{C}$
- ④ Pulse width  $\leq 300\mu s$ ; duty cycle  $\leq 2\%$ .
- ⑤  $t = 60s$ ,  $f = 60\text{Hz}$
- ⑥ Uses IRFZ46N data and test conditions



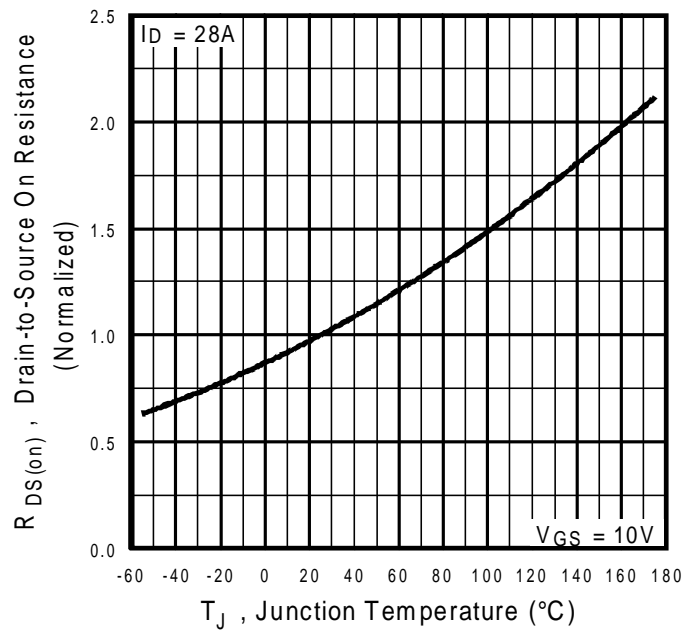
**Fig 1.** Typical Output Characteristics



**Fig 2.** Typical Output Characteristics

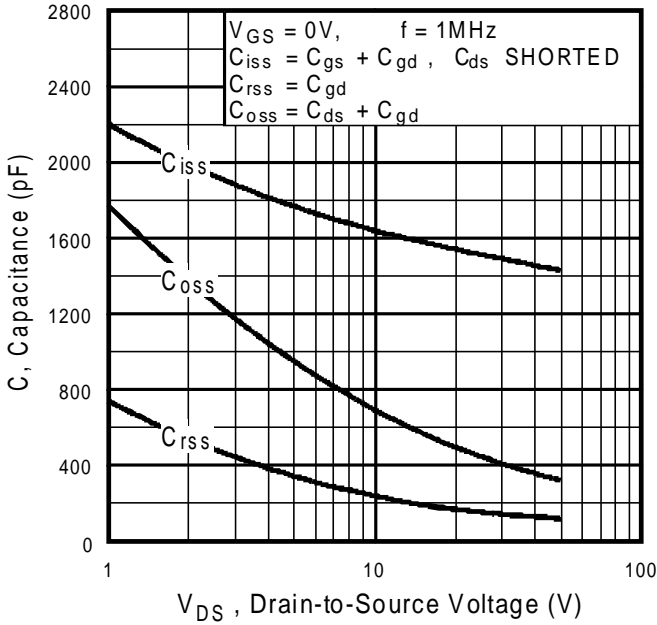


**Fig 3.** Typical Transfer Characteristics

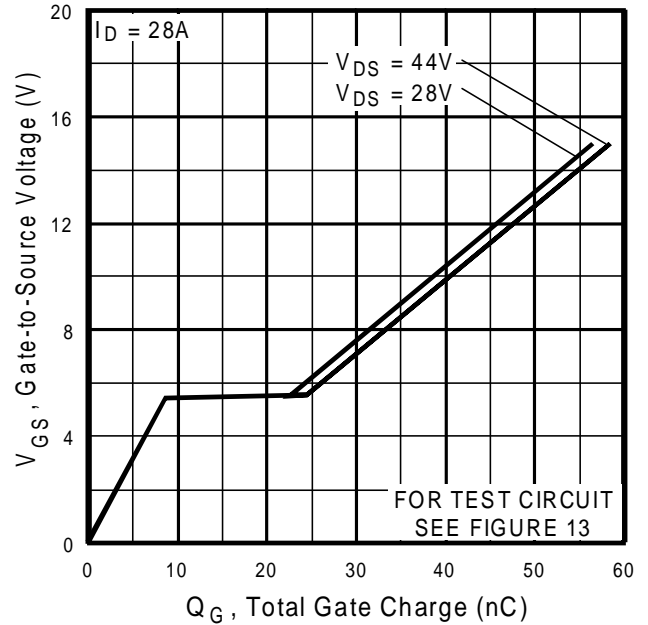


**Fig 4.** Normalized On-Resistance Vs. Temperature

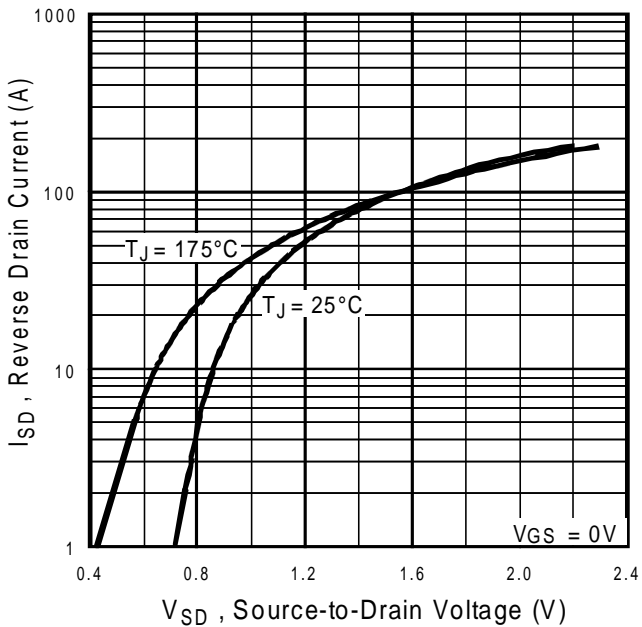
# IRFIZ46N



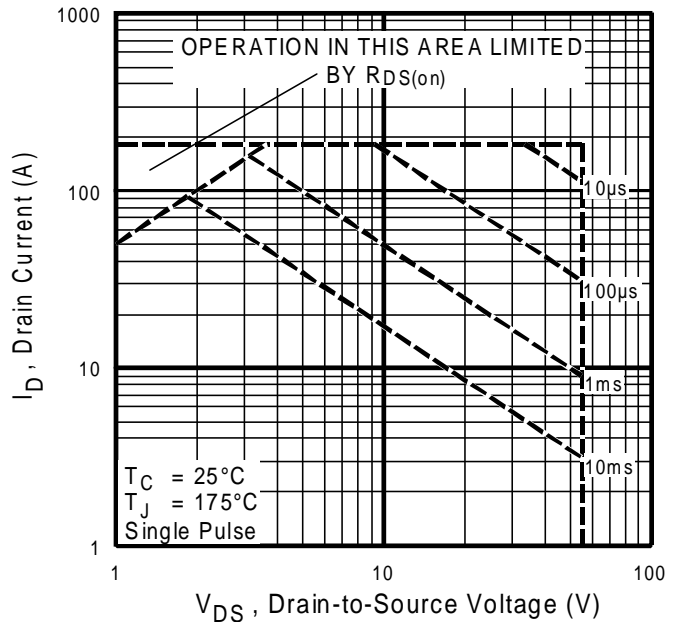
**Fig 5.** Typical Capacitance Vs. Drain-to-Source Voltage



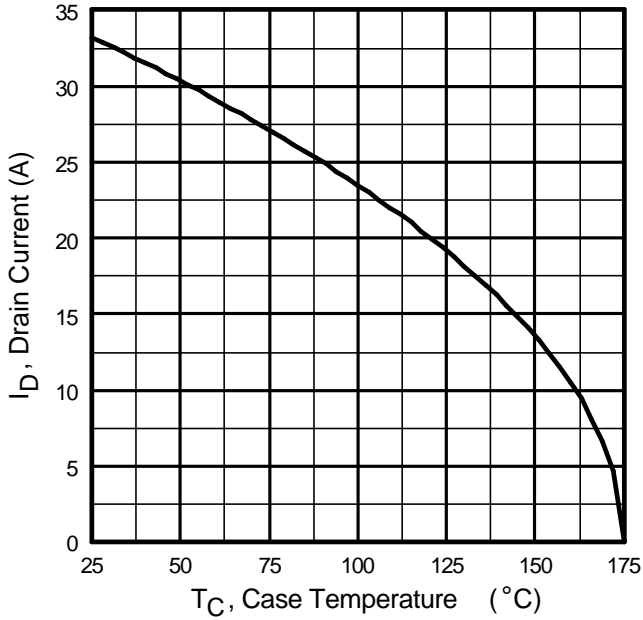
**Fig 6.** Typical Gate Charge Vs. Gate-to-Source Voltage



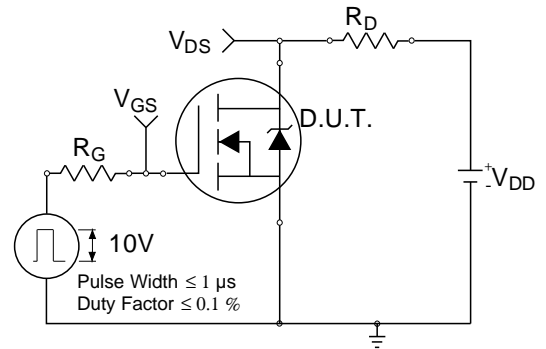
**Fig 7.** Typical Source-Drain Diode Forward Voltage



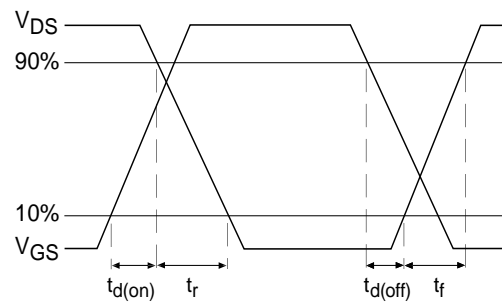
**Fig 8.** Maximum Safe Operating Area



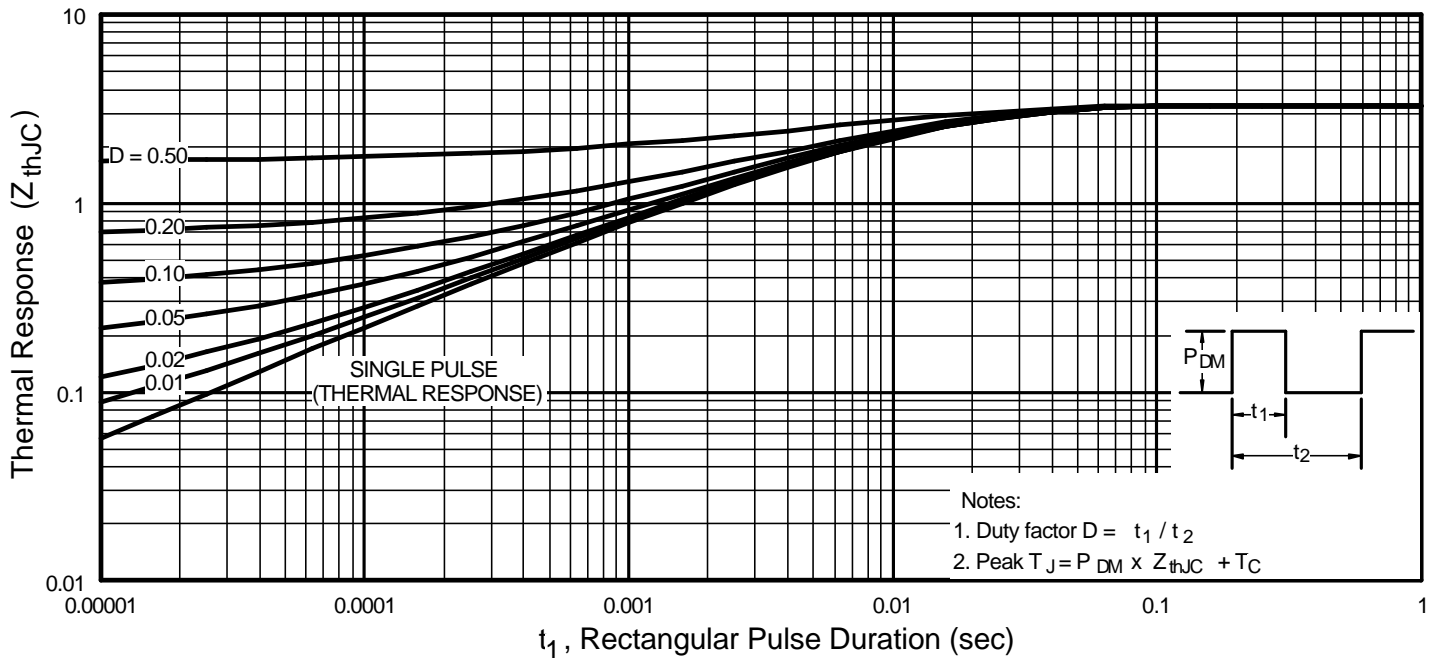
**Fig 9.** Maximum Drain Current Vs. Case Temperature



**Fig 10a.** Switching Time Test Circuit

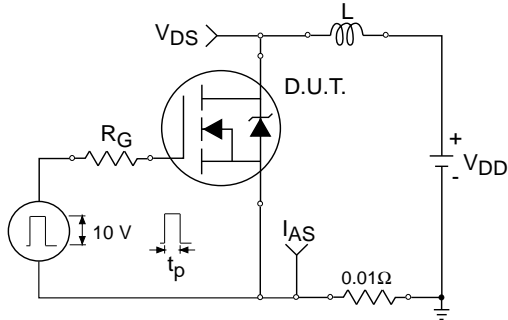


**Fig 10b.** Switching Time Waveforms

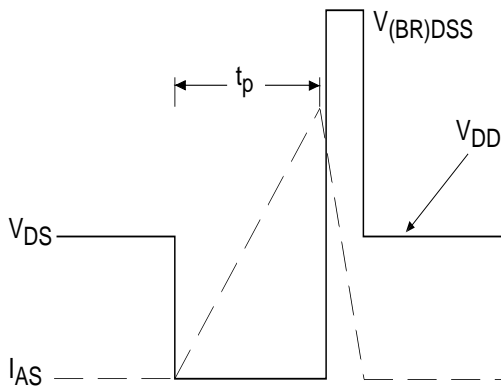


**Fig 11.** Maximum Effective Transient Thermal Impedance, Junction-to-Case

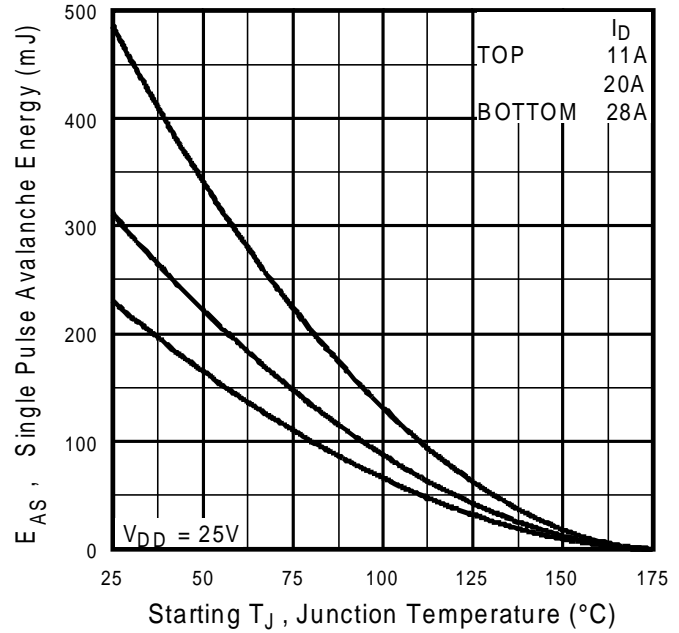
# IRFIZ46N



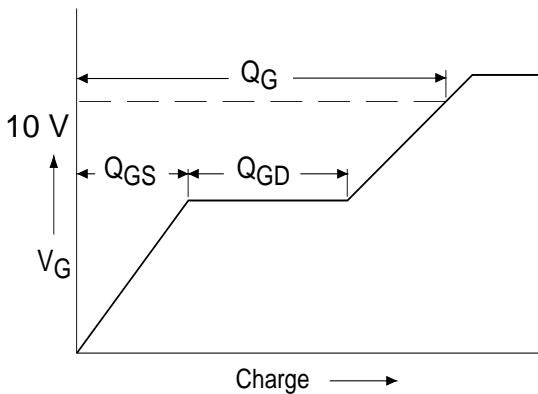
**Fig 12a.** Unclamped Inductive Test Circuit



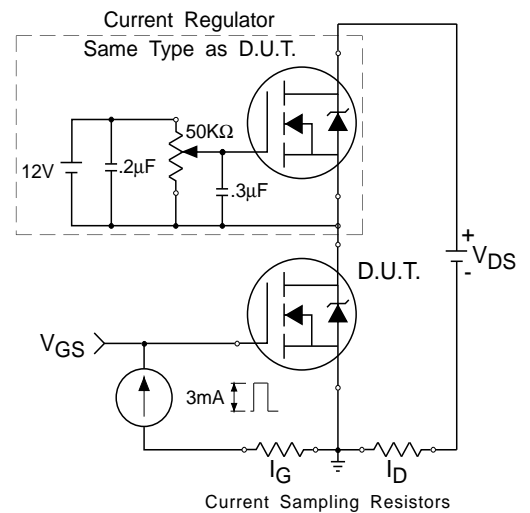
**Fig 12b.** Unclamped Inductive Waveforms



**Fig 12c.** Maximum Avalanche Energy Vs. Drain Current

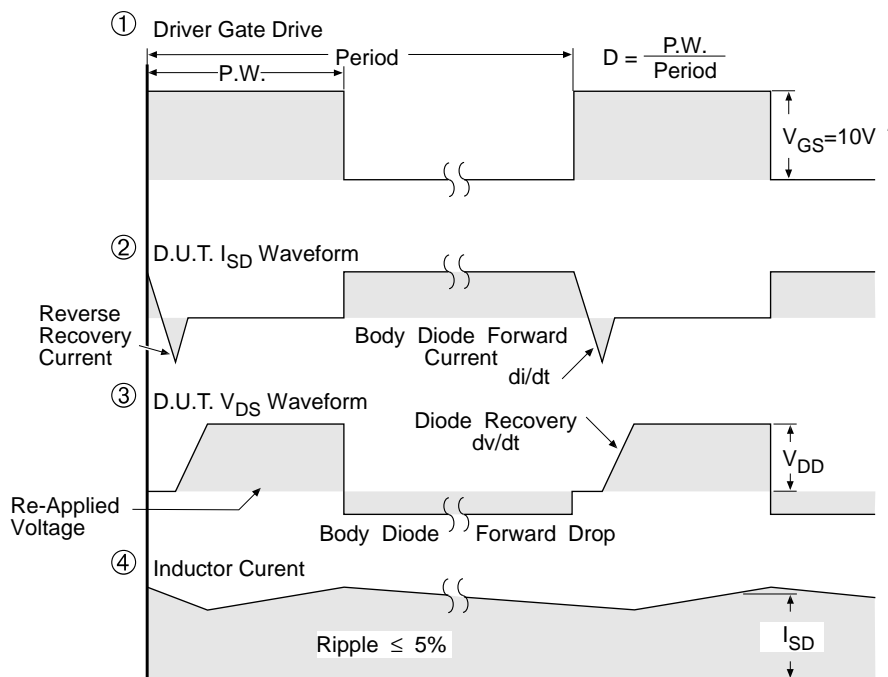
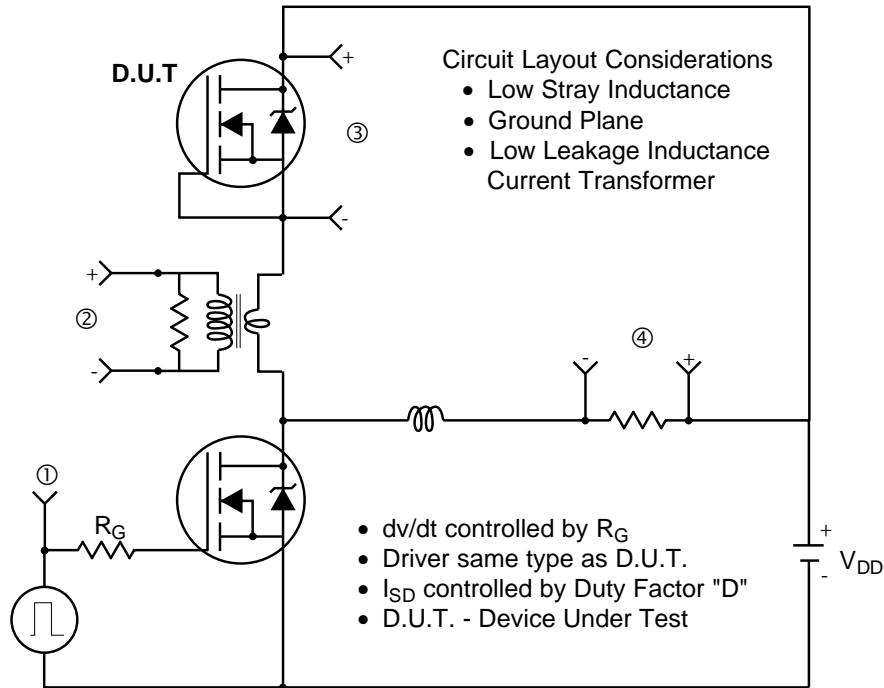


**Fig 13a.** Basic Gate Charge Waveform



**Fig 13b.** Gate Charge Test Circuit

**Peak Diode Recovery dv/dt Test Circuit**



\*  $V_{GS} = 5V$  for Logic Level Devices

**Fig 14.** For N-Channel HEXFETS

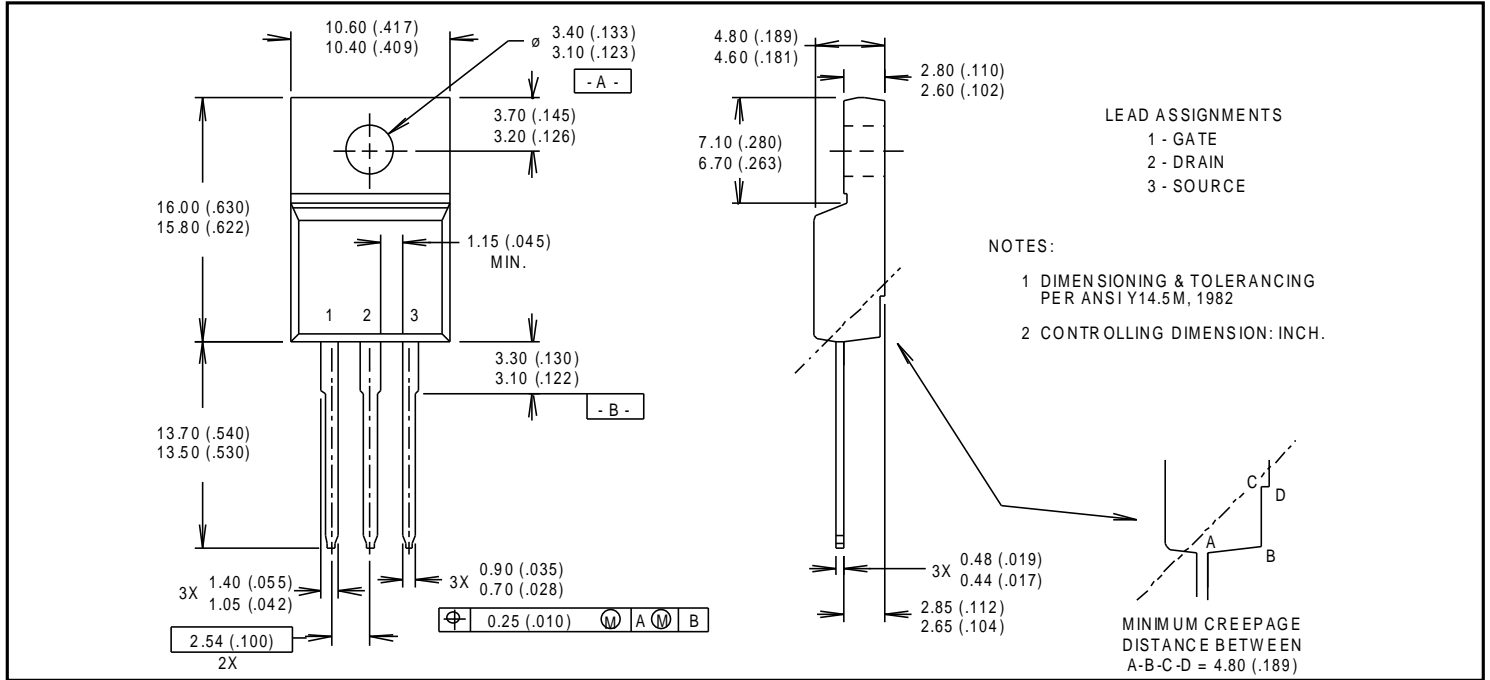


# IRFIZ46N

## Package Outline

### TO-220 FullPak Outline

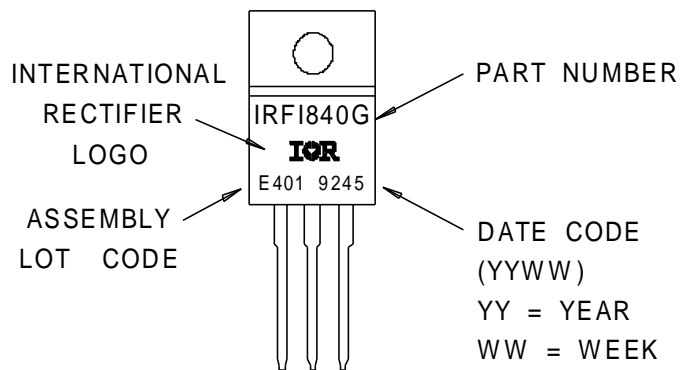
Dimensions are shown in millimeters (inches)



## Part Marking Information

### TO-220 FullPak

EXAMPLE : THIS IS AN IRFI840G  
 WITH ASSEMBLY  
 LOT CODE E401



Note: For the most current drawings please refer to the IR website at:  
<http://www.irf.com/package/>