

Excellent Integrated System Limited

Stocking Distributor

Click to view price, real time Inventory, Delivery & Lifecycle Information:

[TE Connectivity AMP Connectors
553638-2](#)

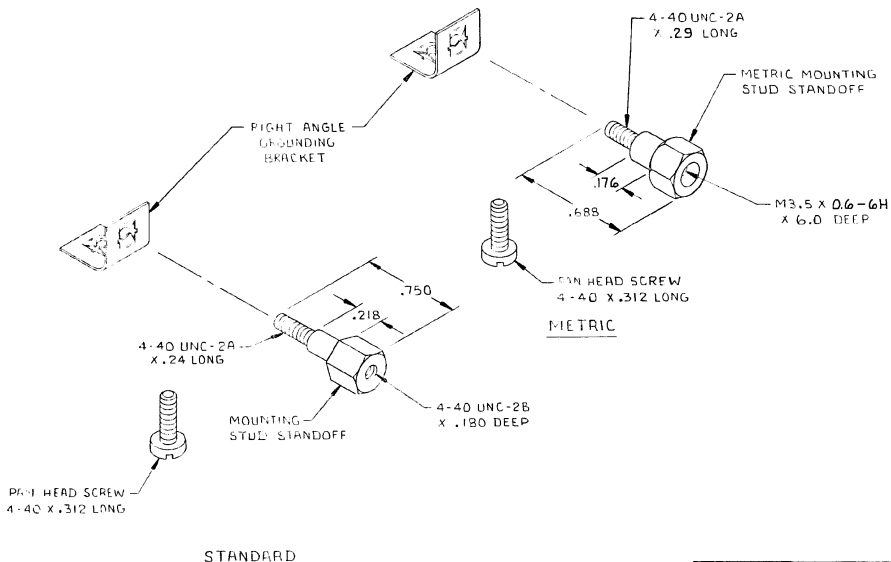
For any questions, you can email us directly:
sales@integrated-circuit.com



DRAWING MADE IN THIRD ANGLE PROJECTION 3 2 1 Loc AA DIST 20

THIS DRAWING IS UNPUBLISHED. RELEASED FOR PUBLICATION . 19
 © COPYRIGHT 19 BY AMP INCORPORATED, HARRISBURG, PA. ALL INTERNATIONAL RIGHTS RESERVED. AMP PRODUCTS MAY BE COVERED BY U.S. AND FOREIGN PATENTS AND/OR PATENTS PENDING.

P F ZONE LTR		REVISIONS	DATE	APPROVED
C		083-1: EC 0210-0373-05	11/17/81	DS/EC



1. ALL DIMENSIONS SHOWN ARE FOR REFERENCE ONLY UNLESS OTHERWISE SPECIFIED.
 2. TWO PIECES OF EACH REQUIRED PER KIT.
 3. ALL HARDWARE SHIPPED UNASSEMBLED.
- ⚠ MATERIAL: METRIC MOUNTING STUD - BLACK OXIDE COATED CARBON STEEL.
 MOUNTING STUD - ZINC PLATE WITH YELLOW CHROMATE OVER STEEL.
 PAN HEAD SCREW - PASSIVATED STAINLESS STEEL.
 BRACKET - ZINC PLATED STEEL.

553638

METRIC	553638-2
--------	----------

UNLESS OTHERWISE SPECIFIED DIMENSIONS ARE IN INCHES. TOLERANCES ON: DECIMALS ± ANGLES ±		CONTRACT NO.		AMP AMP INCORPORATED Harrisburg, Pa 17105	
MATERIAL		DR: 0 11-12-81		NAME	
FINISH		CHR: MD steel 11 25 81		KIT, HARDWARE, EM1, RIGHT ANGLE, STANDARD/METRIC (CHAMP)	
APPR: [Signature]		APPR: [Signature]		SIZE FSCM NO DRAWING NO	
DSGN APPD: [Signature]		OTHER APPD:		C 00779 553638	
SCALE 2/1		SHEET 1 OF 1			

CUSTOMER DRAWING