

Excellent Integrated System Limited

Stocking Distributor

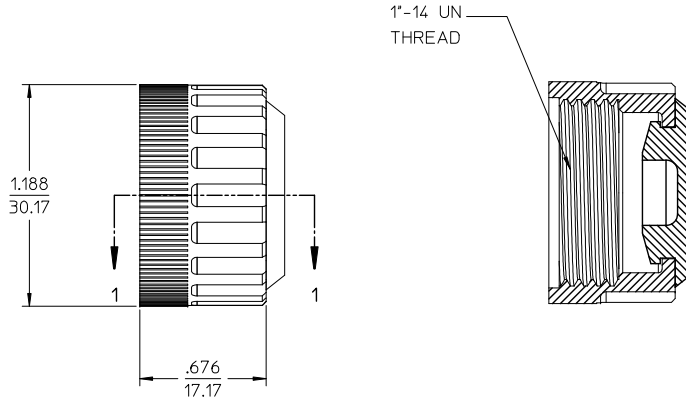
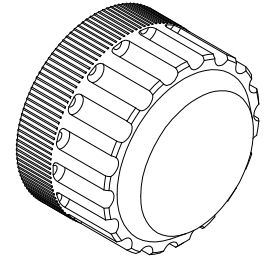
Click to view price, real time Inventory, Delivery & Lifecycle Information:

[Molex Connector Corporation](#)
[1300580033](#)

For any questions, you can email us directly:
sales@integrated-circuit.com

10 9 8 7 6 5 4 3 2 130058

PART NUMBER	OLD PART NUMBER
1300580033	65-0300



COMPONENT	MATERIAL	FINISH
COUPLING NUT	ABS	BLACK
CLOSURE CAP BPF 11/16	NYLON	BLACK

RELEASED EC NO: WNA/2009-0626 DRWNSGARCIA 2009/03/31 CHKDBWOODMAN APPR: JFMURPHY 2009/04/01	QUALITY SYMBOLS ▽=0 ▽=0	GENERAL TOLERANCES (UNLESS SPECIFIED) <table border="1"> <thead> <tr> <th></th> <th>mm</th> <th>INCH</th> </tr> </thead> <tbody> <tr> <td>4 PLACES</td> <td>± .---</td> <td>± .---</td> </tr> <tr> <td>3 PLACES</td> <td>± .---</td> <td>± .---</td> </tr> <tr> <td>2 PLACES</td> <td>± .---</td> <td>± 0.01</td> </tr> <tr> <td>1 PLACE</td> <td>± 0.3</td> <td>± .---</td> </tr> </tbody> </table> ANGULAR ±1/2°		mm	INCH	4 PLACES	± .---	± .---	3 PLACES	± .---	± .---	2 PLACES	± .---	± 0.01	1 PLACE	± 0.3	± .---	DIMENSION STYLE IN/MM	SCALE 2:1	DESIGN UNITS INCH	THIRD ANGLE PROJECTION
		mm	INCH																		
	4 PLACES	± .---	± .---																		
	3 PLACES	± .---	± .---																		
2 PLACES	± .---	± 0.01																			
1 PLACE	± 0.3	± .---																			
DRAWN BY SGARCIA	DATE 2009/03/27	TITLE CLOSURE CAP ETHERNET INTERNAL THREAD																			
CHECKED BY BWOODMAN	DATE 2009/03/27	APPROVED BY JFMURPHY																			
DATE 2009/03/27	MATERIAL NO. SEE CHART	DOCUMENT NO. SD-130058-001	MOLEX INCORPORATED																		
DRAFT WHERE APPLICABLE MUST REMAIN WITHIN DIMENSIONS		SIZE B	THIS DRAWING CONTAINS INFORMATION THAT IS PROPRIETARY TO MOLEX INCORPORATED AND SHOULD NOT BE USED WITHOUT WRITTEN PERMISSION																		

9 8 7 6 5 4 3 2 1