

Excellent Integrated System Limited

Stocking Distributor

Click to view price, real time Inventory, Delivery & Lifecycle Information:

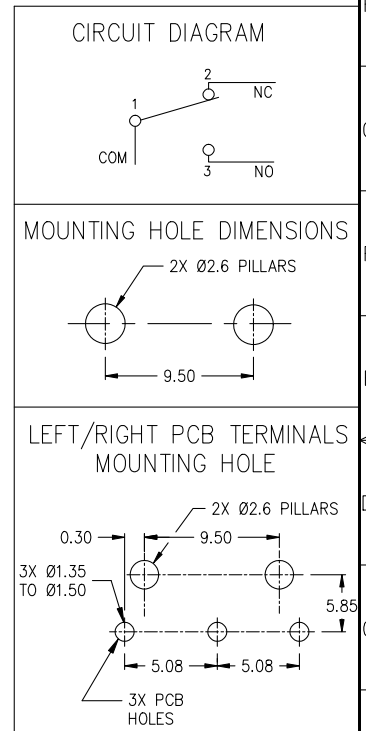
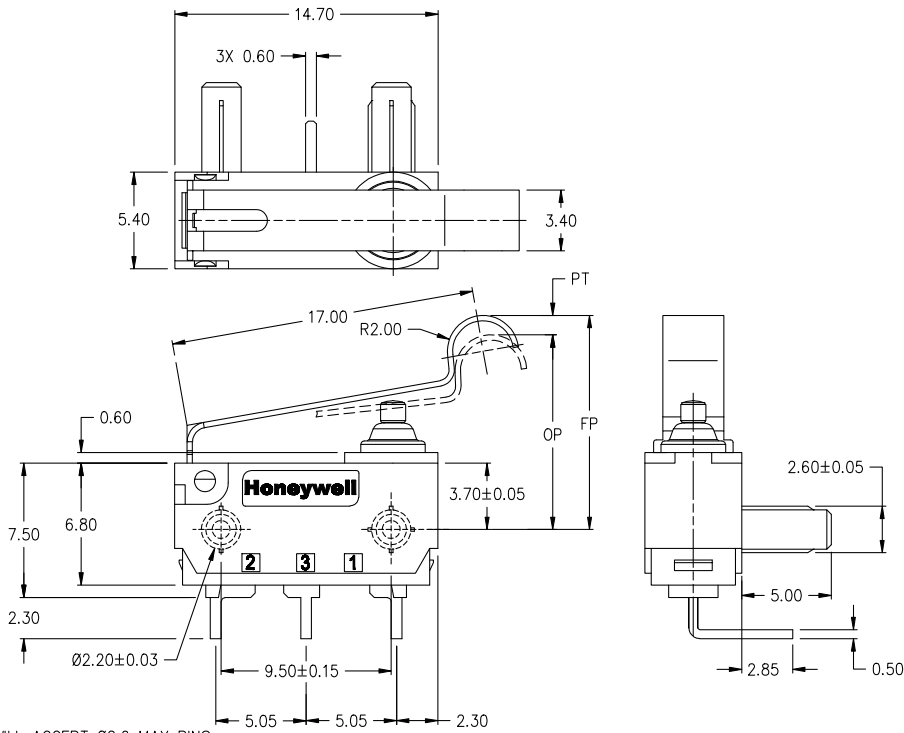
[Honeywell Sensing and Productivity Solutions](#)
[ZD30S60H02-Z](#)

For any questions, you can email us directly:

sales@integrated-circuit.com

FO-55118-B 10
HONEYWELL PART NUMBER ZD30S60H02-Z
PRODUCT CODE FBY4024

REV	DOCUMENT	CHANGED BY	CHECK
A	0077732	SBH 16JUN11	CMH



- NOTES:
 1. MOUNTING HOLES WILL ACCEPT Ø2.6 MAX PINS.
 2. SWITCH PROTECTION IS IP67 IF EXCLUDE THE TERMINALS.

CHARACTERISTICS OPERATING FORCE: 180gf MAX. DIFFERENTIAL FORCE: _____ RELEASE FORCE: 20gf MIN. FREE POSITION: _____ OPERATING POSITION: 10.7±0.7MM PRE-TRAVEL: 3.8MM MAX. DIFFERENTIAL TRAVEL: 0.7MM MAX. OVER-TRAVEL: 1.5MM MIN. FULL OVERTRAVEL FORCE: _____	ELECTRICAL DATA CONTACT ARRANGEMENT: S.P.D.T. PROTECTION: IP00 (SEE NOTE 2) RATINGS 0.1A 48VDC 125/250VAC 3A 12VDC µ 40T85 1E5 0.1A 48VDC 125/250VAC 3A 12VDC	DESIGN UNITS: MM TOLERANCES UNLESS NOTED: NO PLACES .X ± - ONE PLACE .X ± - TWO PLACE .XX ± 0.40 THREE PLACE .XXX ± - ANGLES X ± 2° THIRD ANGLE PROJECTION	DRAWN: SBH 25MAY11 CHECK: PJ 25MAY11	Honeywell TITLE: SWITCH - BASIC
			THIS DRAWING COVERS A PROPRIETARY ITEM AND IS THE PROPERTY OF HONEYWELL. THIS DRAWING IS NOT TO BE COPIED OR USED WITHOUT THE PERMISSION OF HONEYWELL. INTERPRET PER ASME Y14.5M-1994 OTHER HONEYWELL ENGINEERING STANDARDS MAY APPLY AUTOCAD 2D	