

Excellent Integrated System Limited

Stocking Distributor

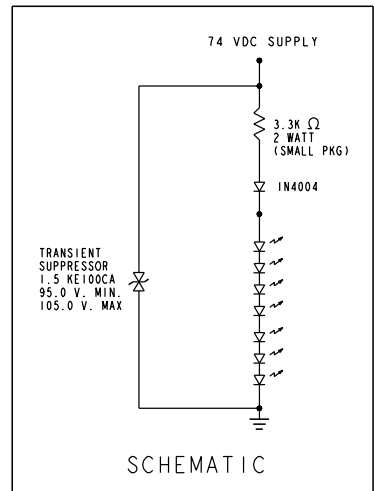
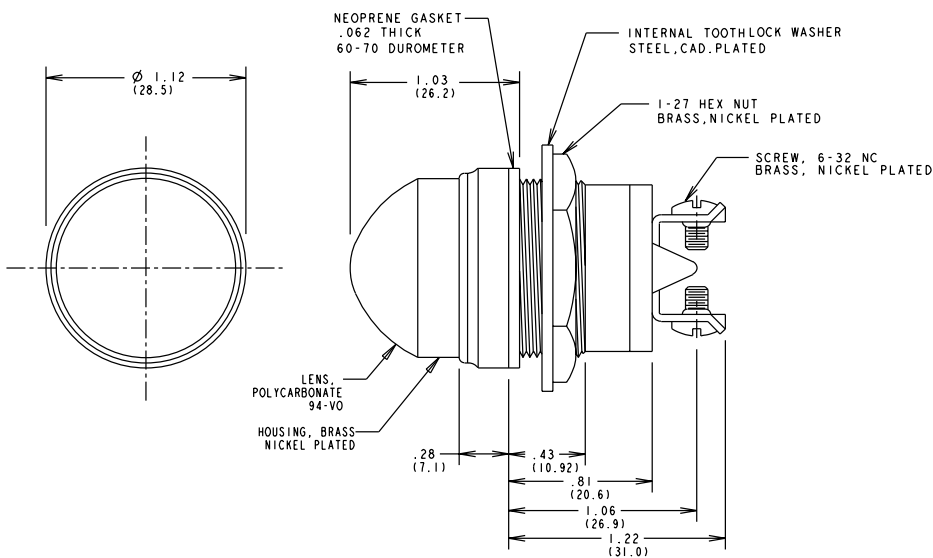
Click to view price, real time Inventory, Delivery & Lifecycle Information:

[Dialight](#)
[5563706823F](#)

For any questions, you can email us directly:
sales@integrated-circuit.com

REV.	ECN NO.	REVISIONS	DRN.	CKD.	APP.	DATE
A		NEW RELEASE		DC		

PART NUMBER	LED COLOR	NOMINAL RATING	INTENSITY (FL) @ TYP VOLTAGE	CURRENT (mA)
556-3506-815	RED	74 VDC	1300	20
556-3706-823	AMBER	74 VDC	1300	20



NOTES:

1. PRODUCT IS WATER SEALED FROM FRONT OF PANEL.
2. MAXIMUM MOUNTING TORQUE: 40 IN-LB
3. FRONT MOUNTING IN ONE INCH CLEARANCE HOLE.
4. DIALIGHT PART NO. 556-3506-815, 556-3706-823.

THIS DRAWING AND THE CONTENTS HEREIN ARE CONFIDENTIAL AND THE SOLE PROPERTY OF DIALIGHT. REPRODUCTION OF THIS DRAWING OR CONSTRUCTION OF ANY PARTS WITHIN THIS DRAWING ARE FORBIDDEN WITHOUT THE WRITTEN CONSENT OF DIALIGHT.		
SCALE 2:1	DRAWING NUMBER	REV
ALL DIM'S IN: INCHES (MM)	C-16638	A
TOLERANCES: UNLESS OTHERWISE SPECIFIED	TITLE LED PMI FOR 1" MOUNTING HOLE WATERTIGHT, 74VDC	
FRACTIONS: $\pm 1/64$	MATERIAL	
DECIMALS (.XXX): $\pm .020$	Dialight	
DECIMALS (.XXXX): $\pm .015$	1501 ROUTE 34 SOUTH FARMINGDALE, NJ 07727	
ANGLES: $\pm 3^\circ$	SHEET OF FAMILY TABLE:	
FINISH:	FSCM 83330	