

## Excellent Integrated System Limited

Stocking Distributor

Click to view price, real time Inventory, Delivery & Lifecycle Information:

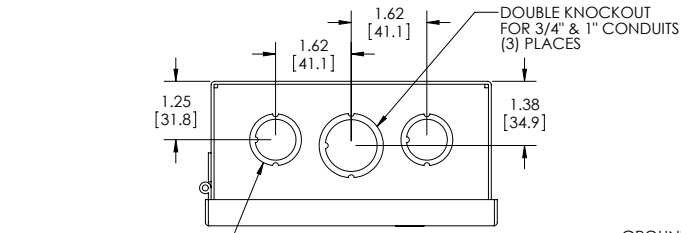
[BUD Industries, Inc.](#)

[JBH-4954-KO](#)

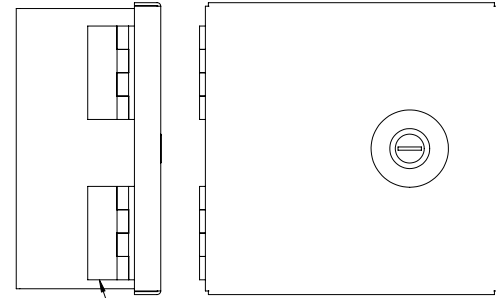
For any questions, you can email us directly:

[sales@integrated-circuit.com](mailto:sales@integrated-circuit.com)

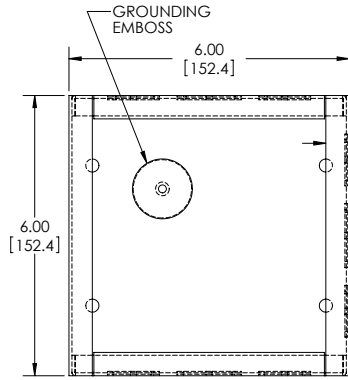
PART NAME	JUNCTION BOX w/ HINGED COVER & KNOCKOUTS	PART No.	JBH-4954-KO	REVISION DATE	7-18-11
-----------	--	----------	-------------	---------------	---------



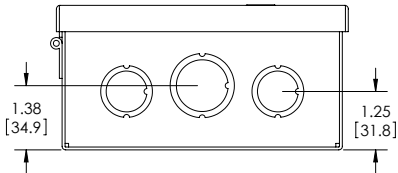
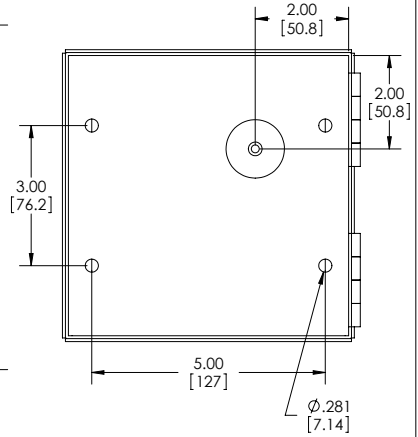
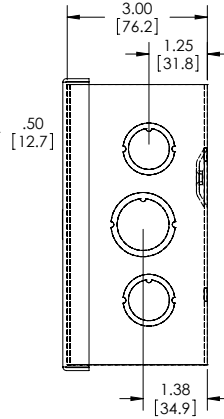
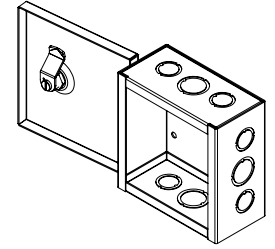
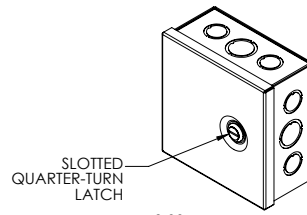
DOUBLE KNOCKOUT FOR 1/2" & 3/4" CONDUITS (6) PLACES



HINGES ARE WELDED TO BODY & COVER



COVER NOT SHOWN THIS VIEW



MATERIAL - 16 GA. [1.5mm] STEEL

FINISH - SMOOTH GRAY POWDERCOAT

INCLUDES ONE (1) #10-32 x .31" [8mm] LG. MACHINE, PAN HEAD, SLOTTED/SQUARE COMBINATION STYLE DRIVE, STEEL, ZINC PLATED SCREW FOR GROUND POINT.