

Excellent Integrated System Limited

Stocking Distributor

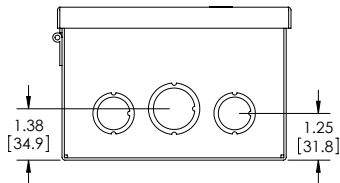
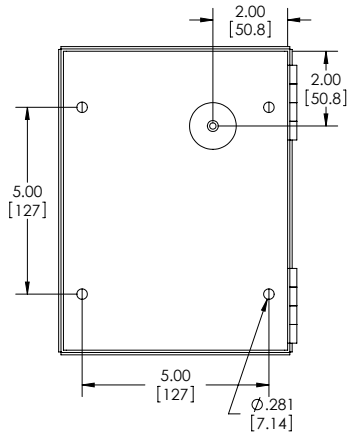
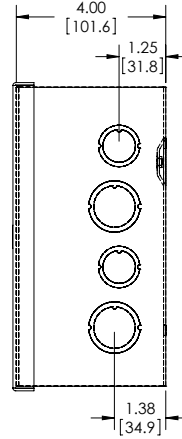
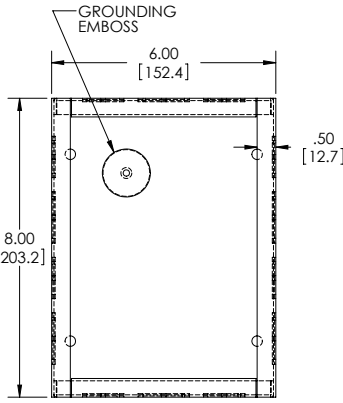
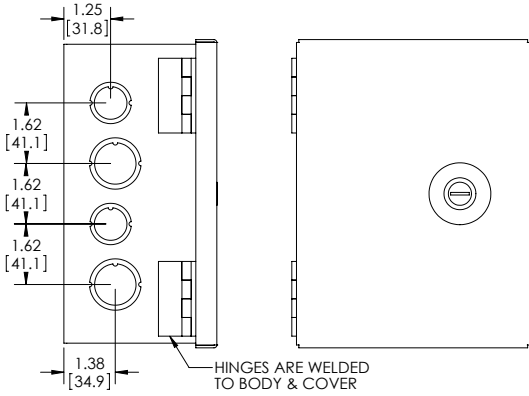
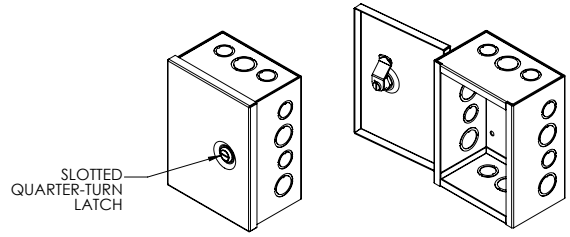
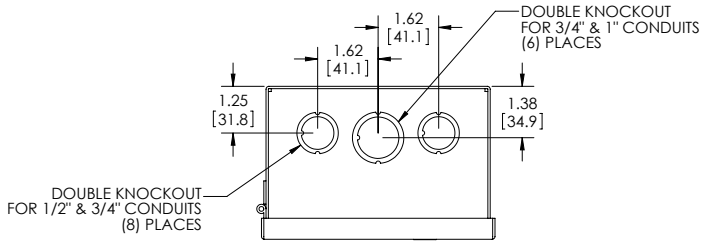
Click to view price, real time Inventory, Delivery & Lifecycle Information:

[BUD Industries, Inc.](#)
[JBH-4956-KO](#)

For any questions, you can email us directly:

sales@integrated-circuit.com

PART NAME	JUNCTION BOX w/ HINGED COVER & KNOCKOUTS	PART No.	JBH-4956-KO	REVISION DATE	7-18-11
-----------	--	----------	-------------	---------------	---------



MATERIAL - 16 GA. [1.5mm] STEEL

FINISH - SMOOTH GRAY POWDERCOAT

INCLUDES ONE (1) #10-32 x .31" [8mm] LG. MACHINE PAN HEAD SLOTTED/SQUARE COMBINATION STYLE DRIVE, STEEL, ZINC PLATED SCREW FOR GROUND POINT.