

## Excellent Integrated System Limited

Stocking Distributor

Click to view price, real time Inventory, Delivery & Lifecycle Information:

[Phoenix Contact](#)  
[1762745](#)

For any questions, you can email us directly:  
[sales@integrated-circuit.com](mailto:sales@integrated-circuit.com)



Extract from the online catalog

## MDSTB 2,5/ 7-G1

Order No.: 1762745

The figure shows a 10-position version of the product



<http://eshop.phoenixcontact.de/phoenix/treeViewClick.do?UID=1762745>

Header, Nominal current: 10 A, Nom. voltage: 250 V, Pitch: 5 mm, Number of positions: 7, Color: green, Assembly: Soldering

Commercial data	
EAN	4017918031329
Pack	50 pcs.
Customs tariff	85366990
Weight/Piece	0.01348 KG
Catalog page information	Page 261 (CC-2009)

### Product notes

WEEE/RoHS-compliant since:  
01/01/2003



<http://www.download.phoenixcontact.com>  
Please note that the data given here has been taken from the online catalog. For comprehensive information and data, please refer to the user documentation. The General Terms and Conditions of Use apply to Internet downloads.

## Technical data

Dimensions / positions	
Pitch	5 mm
Dimension a	30 mm
Number of positions	7
Pin dimensions	1 x 1 mm
Hole diameter	1.4 mm

MDSTB 2,5/ 7-G1 Order No.: 1762745

<http://eshop.phoenixcontact.de/phoenix/treeViewClick.do?UID=1762745>
**Technical data**

Insulating material group	I
Rated surge voltage (III/3)	4 kV
Rated surge voltage (III/2)	4 kV
Rated surge voltage (II/2)	4 kV
Rated voltage (III/2)	320 V
Rated voltage (II/2)	630 V
Connection in acc. with standard	EN-VDE
Nominal current $I_N$	10 A
Nominal voltage $U_N$	250 V
Maximum load current	10 A
Insulating material	PA
Inflammability class acc. to UL 94	V0

**Certificates / Approvals**


Certification

CB, CSA, CUL, GOST, UL, VDE-PZI

**CSA**

Nominal voltage $U_N$	300 V
Nominal current $I_N$	10 A

**CUL**

Nominal voltage $U_N$	300 V
Nominal current $I_N$	10 A

**UL**

Nominal voltage $U_N$	300 V
Nominal current $I_N$	10 A

MDSTB 2,5/ 7-G1 Order No.: 1762745

<http://eshop.phoenixcontact.de/phoenix/treeViewClick.do?UID=1762745>

**Accessories**

Item	Designation	Description
------	-------------	-------------

**Assembly**

1755477	MSTB-BL	Keying cap, for forming sections, plugs onto header pin, green insulating material
---------	---------	--

**Marking**

0804183	SK 5/3,8:FORTL.ZAHLEN	Marker card, printed horizontally, self-adhesive, 12 identical decades marked 1-10, 11-20 etc. up to 91-(99)100, sufficient for 120 terminal blocks
---------	-----------------------	---

**Plug/Adapter**

1734401	CR-MSTB	Coding section, inserted into the recess in the header or the inverted plug, red insulating material
---------	---------	--

**Additional products**

Item	Designation	Description
------	-------------	-------------

**Assembly**

1909265	FKCT 2,5/ 7-ST	Plug component, Nominal current: 12 A, Nom. voltage: 250 V, Pitch: 5 mm, Number of positions: 7, Connection type: Spring-cage conn., Color: green
---------	----------------	---

**General**

1910403	FKC 2,5/ 7-ST	Plug component, Nominal current: 12 A, Nom. voltage: 250 V, Pitch: 5 mm, Number of positions: 7, Connection type: Spring-cage conn., Color: green
1909760	FKCVR 2,5/ 7-ST	Plug component, Nominal current: 12 A, Nom. voltage: 250 V, Pitch: 5 mm, Number of positions: 7, Connection type: Spring-cage conn.
1910089	FKCVW 2,5/ 7-ST	Plug component, Nominal current: 12 A, Nom. voltage: 250 V, Pitch: 5 mm, Number of positions: 7, Connection type: Spring-cage conn.
1779466	FRONT-MSTB 2,5/ 7-ST	Plug component, Nominal current: 12 A, Nom. voltage: 250 V, Pitch: 5 mm, Number of positions: 7, Connection type: Screw connection, Color: green
1754546	MSTB 2,5/ 7-ST	Plug component, Nominal current: 12 A, Nom. voltage: 250 V, Pitch: 5 mm, Number of positions: 7, Connection type: Screw connection, Color: green
1765823	MSTBP 2,5/ 7-ST	Plug component, Nominal current: 12 A, Nom. voltage: 250 V, Pitch: 5 mm, Number of positions: 7, Connection type: Screw connection, Color: green

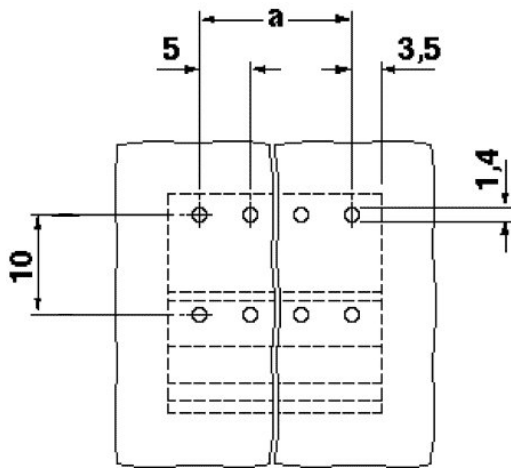
MDSTB 2,5/ 7-G1 Order No.: 1762745

<http://eshop.phoenixcontact.de/phoenix/treeViewClick.do?UID=1762745>

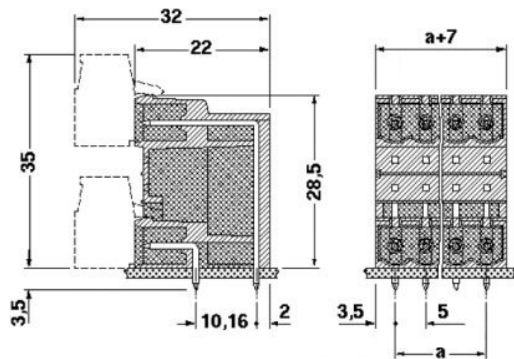
1779880	MSTBT 2,5/ 7-ST	Plug component, Nominal current: 12 A, Nom. voltage: 250 V, Pitch: 5 mm, Number of positions: 7, Connection type: Screw connection, Color: green
1792061	MVSTBR 2,5/ 7-ST	Plug component, Nominal current: 12 A, Nom. voltage: 250 V, Pitch: 5 mm, Number of positions: 7, Connection type: Screw connection, Color: green
1792579	MVSTBW 2,5/ 7-ST	Plug component, Nominal current: 12 A, Nom. voltage: 250 V, Pitch: 5 mm, Number of positions: 7, Connection type: Screw connection, Color: green
1768817	SMSTB 2,5/ 7-ST	Plug component, Nominal current: 12 A, Nom. voltage: 250 V, Pitch: 5 mm, Number of positions: 7, Connection type: Screw connection, Color: green

**Diagrams/Drawings**

Drilling plan/solder pad geometry



Dimensioned drawing



MDSTB 2,5/ 7-G1 Order No.: 1762745

<http://eshop.phoenixcontact.de/phoenix/treeViewClick.do?UID=1762745>

---

**Address**

PHOENIX CONTACT Inc., USA  
586 Fulling Mill Road  
Middletown, PA 17057, USA  
Phone (800) 888-7388  
Fax (717) 944-1625  
<http://www.phoenixcon.com>



© 2010 Phoenix Contact  
Technical modifications reserved;