



Excellent Integrated System Limited

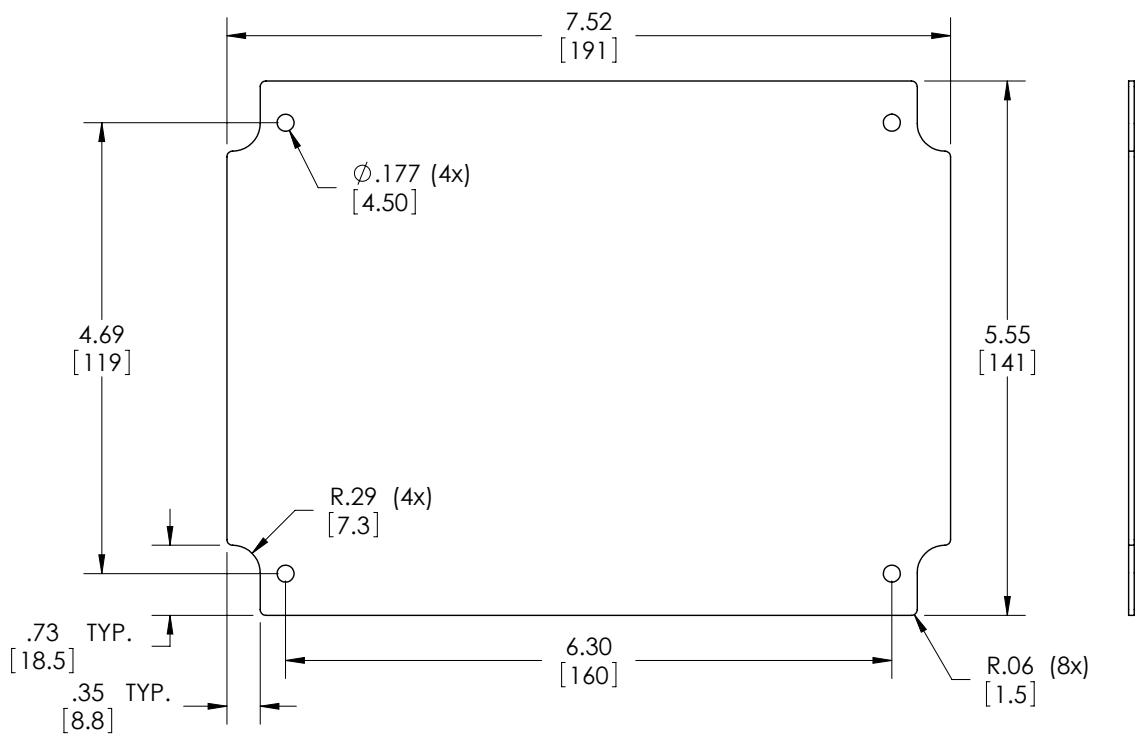
Stocking Distributor

Click to view price, real time Inventory, Delivery & Lifecycle Information:

[BUD Industries, Inc.](#)
[PNX-92607](#)

For any questions, you can email us directly:
sales@integrated-circuit.com

PART NAME	INTERNAL PANEL	PART No.	PNX-92607	REV. DATE	5-11-11
-----------	----------------	----------	-----------	-----------	---------



MATERIAL - .060 [1.5mm] THK. ALUMINUM

FINISH - NATURAL

SUPPLIED WITH M3x0.5 x 6mm LG. MACHINE SCREWS
 (PAN HD., PHILLIPS DRIVE, STEEL, ZINC PLATED) FOR MOUNTING.

PANEL FITS THE FOLLOWING ENCLOSURES:
 PNR-2607, PNR-2607-DG & PNR-2607-C
 PNR-2608, PNR-2608-DG & PNR-2608-C