



**Distributor of On-Shore Technology, Inc.: Excellent Integrated System Limited**  
Datasheet of USB-A2HSW6 - Connector Receptacle USB TypeA, Stacked 8 Position Through Hole, Right Angle, Horizontal

Contact us: [sales@integrated-circuit.com](mailto:sales@integrated-circuit.com) Website: [www.integrated-circuit.com](http://www.integrated-circuit.com)

---

## **Excellent Integrated System Limited**

Stocking Distributor

Click to view price, real time Inventory, Delivery & Lifecycle Information:

[On-Shore Technology, Inc.](#)  
[USB-A2HSW6](#)

For any questions, you can email us directly:  
[sales@integrated-circuit.com](mailto:sales@integrated-circuit.com)

Contact us: [sales@integrated-circuit.com](mailto:sales@integrated-circuit.com) Website: [www.integrated-circuit.com](http://www.integrated-circuit.com)

SIGN	DATE	DESCRIPTION	APPROVER
Δ	2012.10.03	USB 2.0 detail added	SHIN
<i>THIS IS CAD DRAWING, DO NOT REVISE MANUALLY!!!</i>			

PART NUMBER:

**USB-A2HSXX**

COLOR:  
 B: Black  
 W: White

PLATING:  
 6: Selective Au Flash/50u" Ni  
 8: Selective 30u" Au/50u" Ni (USB 2.0)

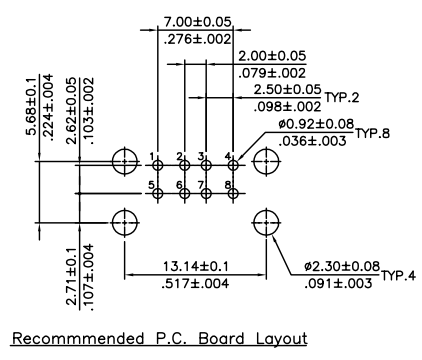
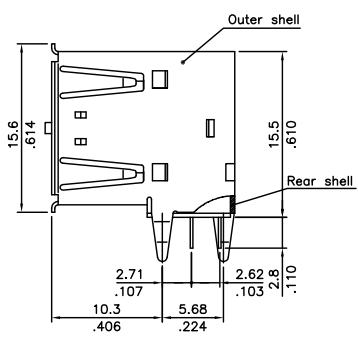
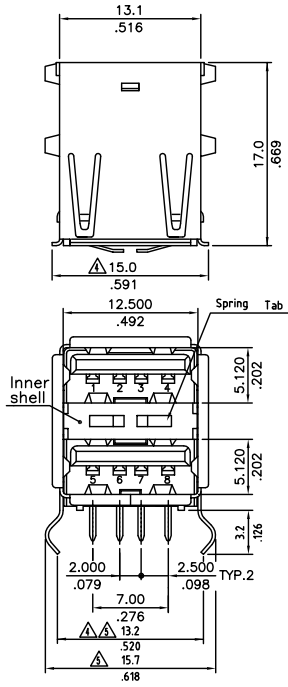
**Material**

- Insulator: Glass Filled Polyester
- Flammability: UL94V-0
- Contacts: Phosphor Bronze
- Contact Plating: See options
- Shell: Brass
- Shell Plating: 100u" Min. Tin over 40u" Nickel

**Ratings**

- Current: 1A
- Voltage: 30V AC(r.m.s.)
- Dielectric Withstanding Voltage: 750V AC at sea level
- Contact Resistance: <30mΩ
- Insulation Resistance: >1,000 MΩ
- Operating Temperature: 0° - +50°
- Storage Temperature: -40° - +60°

RoHS Compliant



Recommended P.C. Board Layout



THESE DRAWINGS AND SPECIFICATIONS ARE THE PROPERTY OF ON-SHORE TECHNOLOGY, INC. AND SHALL NOT BE REPRODUCED, COPIED OR USED IN ANY MANNER WITHOUT THE PRIOR WRITTEN CONSENT OF ON-SHORE TECHNOLOGY, INC.

TITLE		USB - A type, Horizontal, thru hole, Dual Port	
PART NO.	USB-A2HSXX	DWG NO.	USB-A2HSXX.DWG
APPROVED	CHECKED	DESIGNED	DRAWN
	Marvin 2002.03.12	Marvin 2002.03.12	Marvin 2002.03.12
		4050	
		Tolerance	
		UNIT: mm/inches	
		SCALE: NONE	
		SHEET: 01/01	
		REV: A	
		X* ±*	
		XX ±0.30/012	
		XXX ±0.20/008	
		XXXX ±0.10/004	