

Excellent Integrated System Limited

Stocking Distributor

Click to view price, real time Inventory, Delivery & Lifecycle Information:

[Grayhill, Inc.](#)
[38GWDP9M7RT](#)

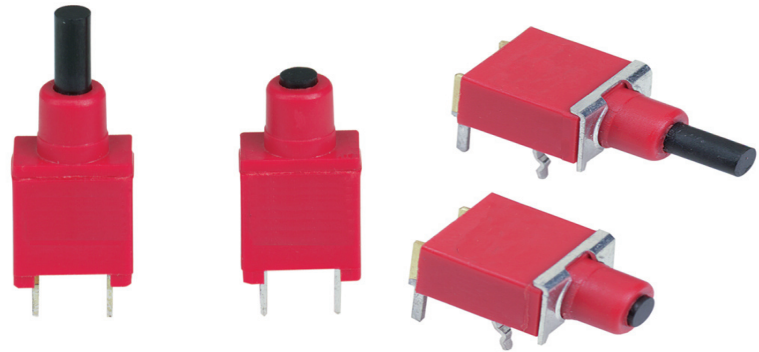
For any questions, you can email us directly:

sales@integrated-circuit.com

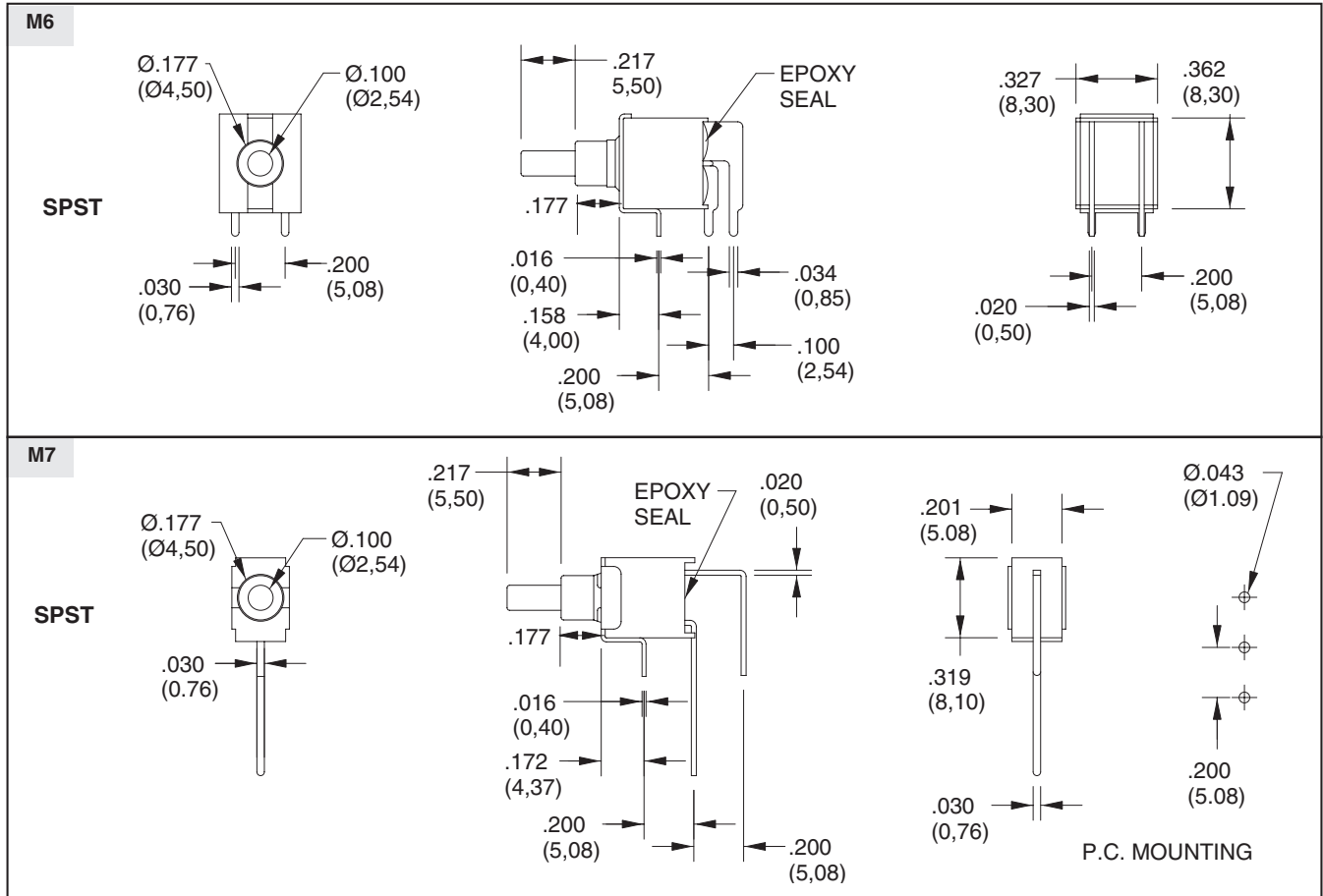
SERIES 38G
Sealed Subminiature
Pushbutton Switches

FEATURES

- Drop-In Replacement for Industry Standard
- Choice of Terminations
- Printed Circuit Board Mount
- SPST, DPST and SPDT Momentary Contact
- Sealed Per IP67



DIMENSIONS in inches (and millimeters)



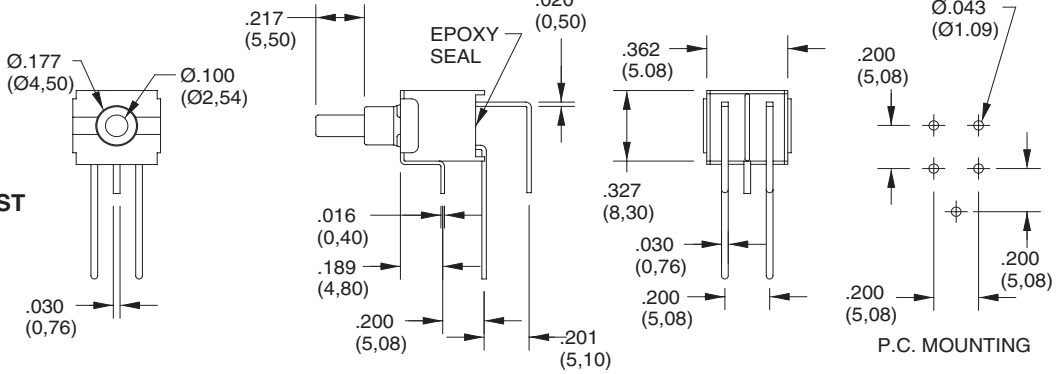
Pushbutton Switches

SERIES 38G

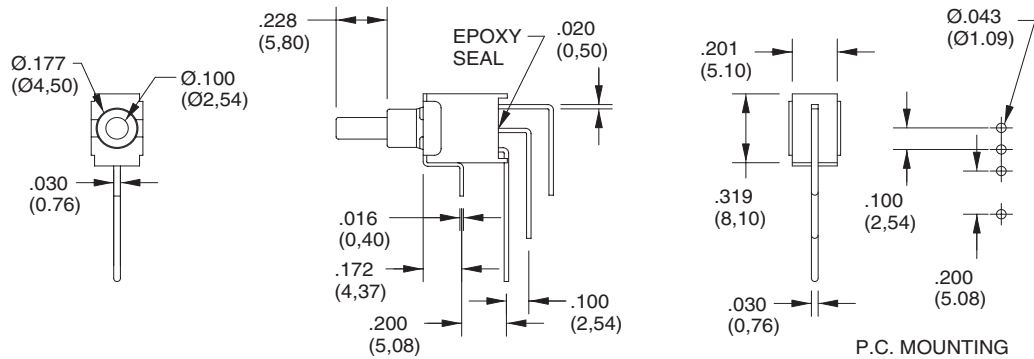
DIMENSIONS in inches (and millimeters)

M7

DPST

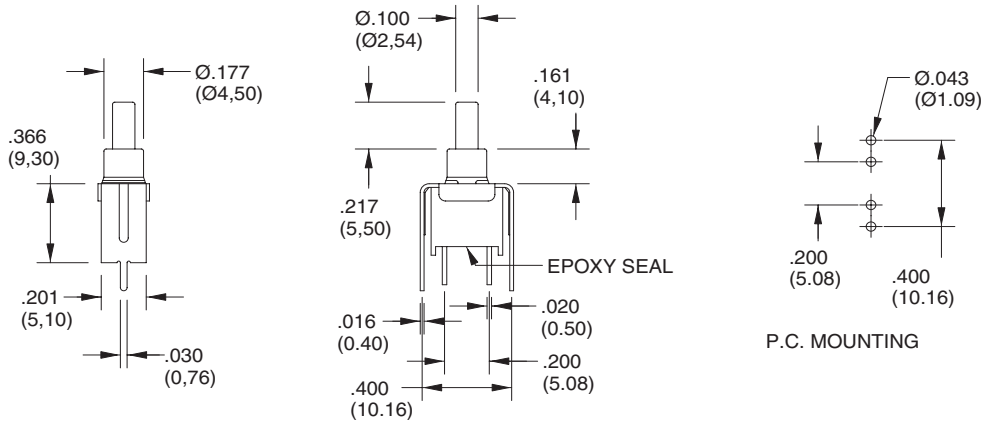


SPDT

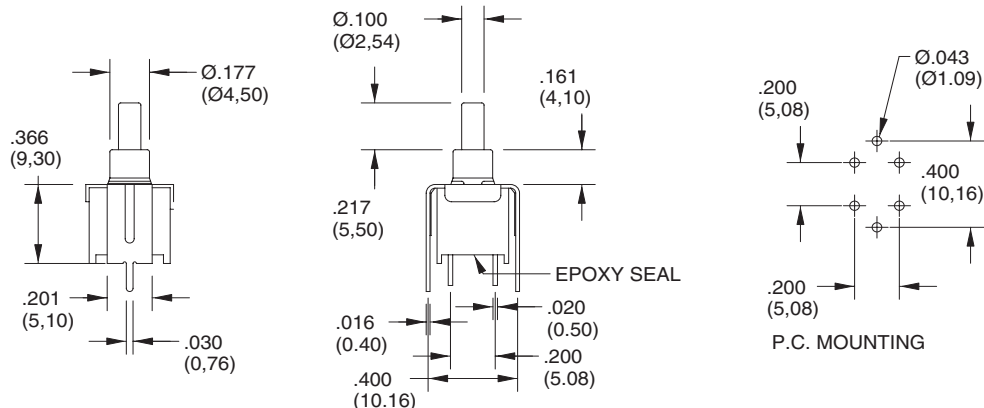


V2

SPST

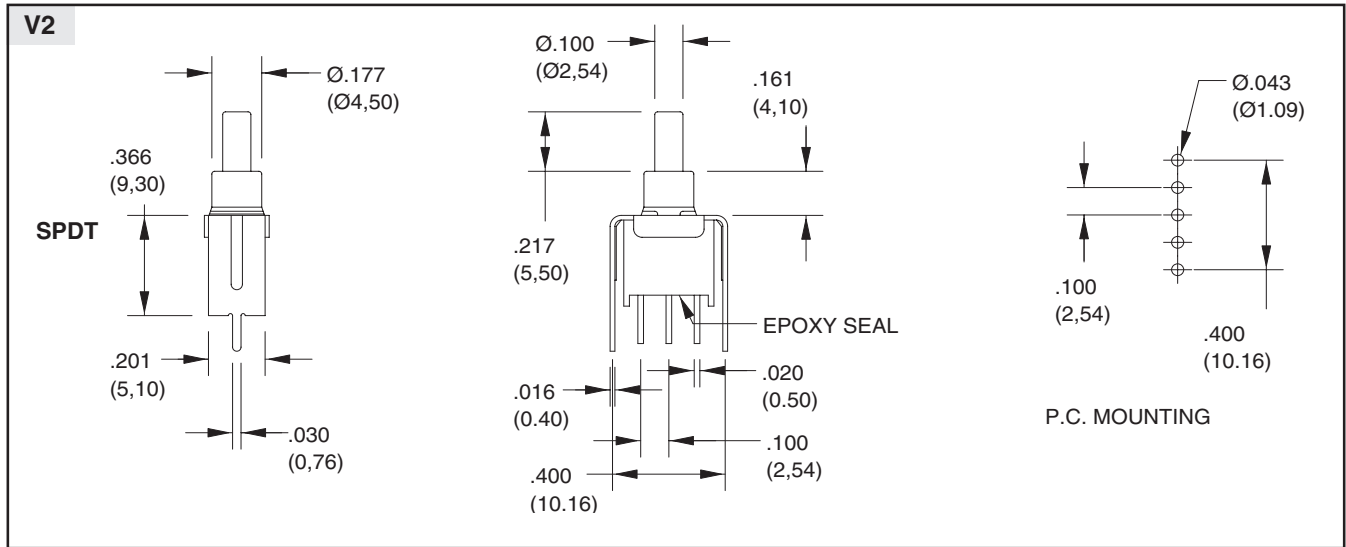


DPST

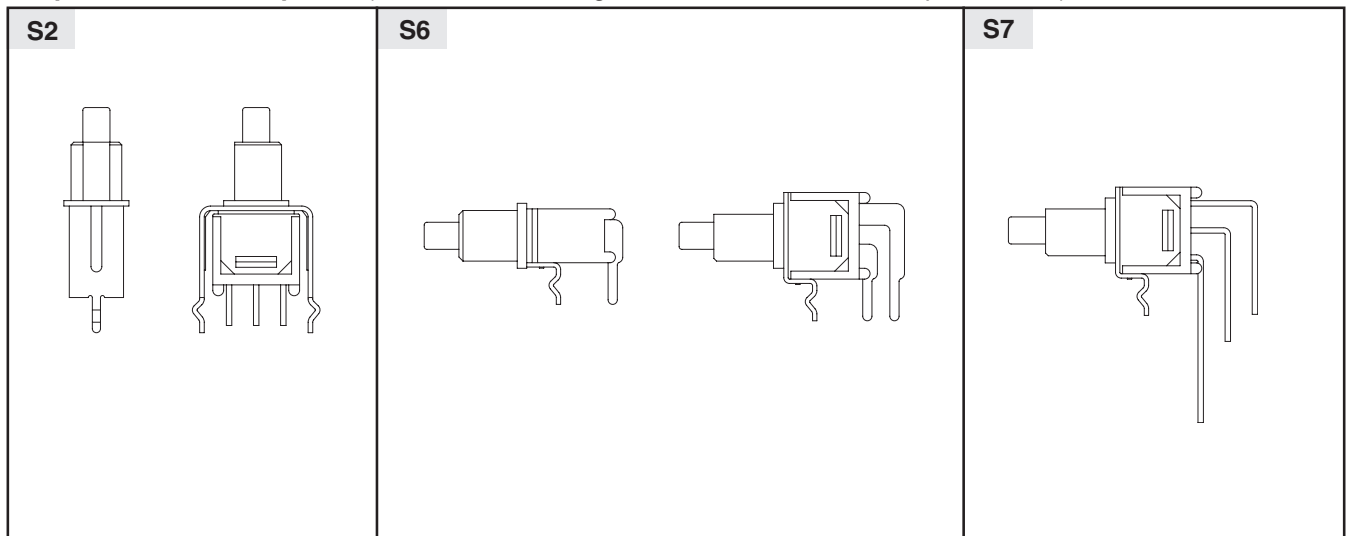


SERIES 38G

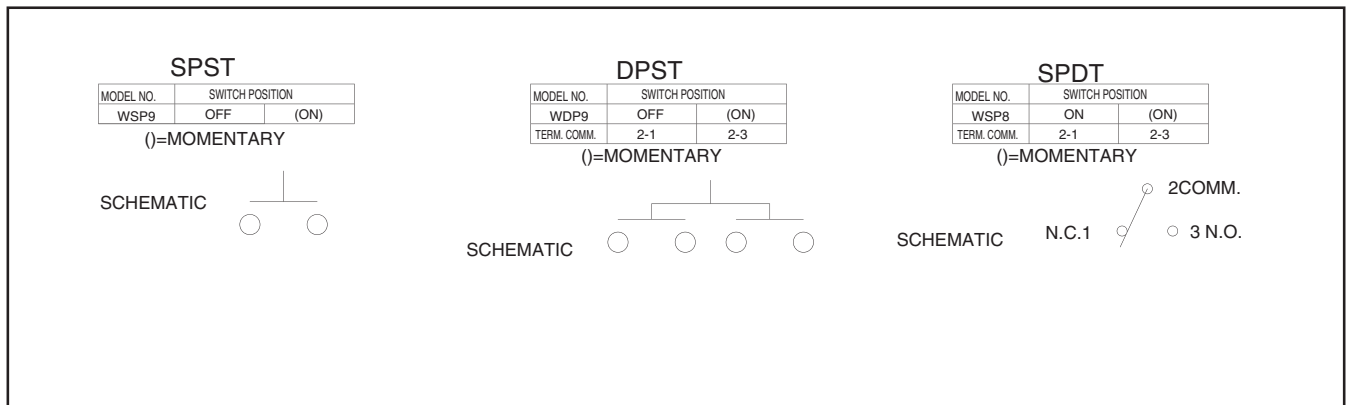
DIMENSIONS in inches (and millimeters)



Snap-in Termination Options (Same P.C. mounting as V2, M6, M7 but with snap-in bracket)



Circuitry



Pushbutton Switches



Sealed Subminiature Pushbutton Switches

SERIES 38G

SPECIFICATIONS

Rating Criteria

Operating Life: 30,000 make-and-break cycles at full load

Contact Rating (resistive load):

R Option: 0.4 VA maximum at 20 Vac or Vdc maximum

G Option: 1A max at 125 Vac or 28 Vdc

Contact Resistance: 20 milliohms max initial at 2-4 Vdc, 100 mA

Insulation Resistance: 1000 megaohms minimum

Voltage Breakdown: 1500 Vrms minimum at sea level

Operating Temperature: -30°C. to +85°C.

Materials and Finishes

Case: Glass filled Nylon 6/6 (UL 94V-0)

Plunger: Thermoplastic Polyester(UL 94V-0) (with internal o-ring seal)

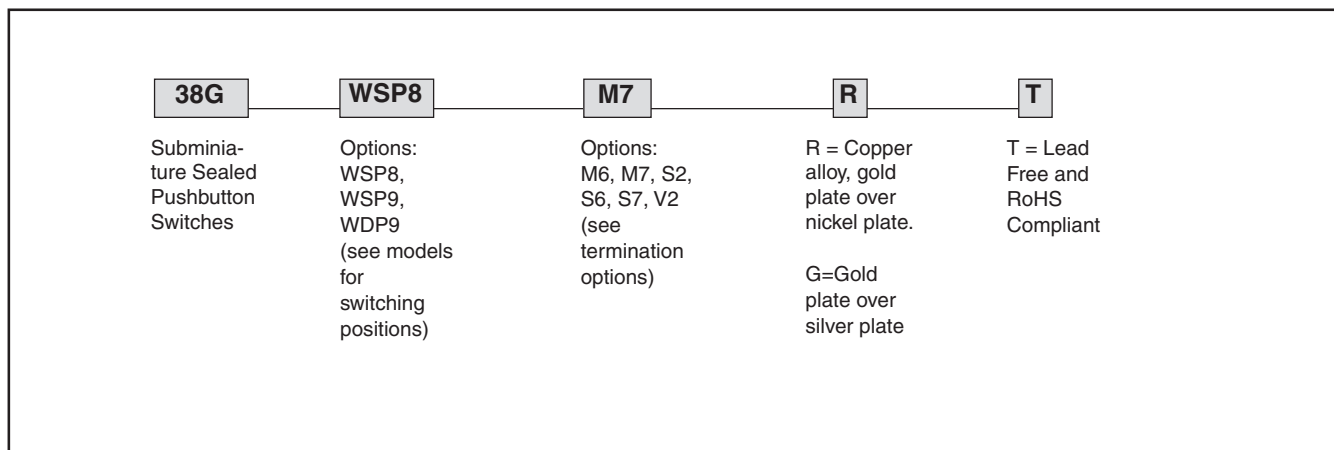
Terminals: Copper alloy

Spring: Plated Music Wire

Contact System: Copper alloy

Switch Support: Brass, tin-plated

ORDERING INFORMATION



Pushbutton Switches