

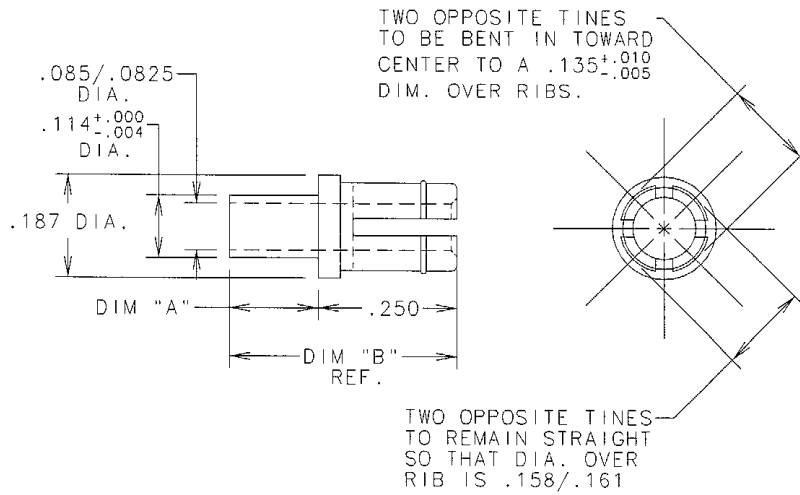
Excellent Integrated System Limited

Stocking Distributor

Click to view price, real time Inventory, Delivery & Lifecycle Information:

[Grayhill, Inc.](#)
[31-1](#)

For any questions, you can email us directly:
sales@integrated-circuit.com



ENG110C DWG. NO. 31YY1001-X

P	DWP 9-17-97	REDRAWN TO CAD ECN#317632 DWS 9-16-97
A	JMK 1-18-55	ORIGINAL JMK 1-18-55
ISSUE APP/DATE		DESCRIPTION

REVISIONS	
Grayhill	
GRAYHILL, INC. 561 HILLGROVE AVE. LA GRANGE, IL 60525 PHONE (708) 354-1040	

UNLESS OTHERWISE SPECIFIED TOLERANCES AND DIMENSIONS ARE IN INCHES
 LINEAR ± .010 DIAMETERS ± .003
 ANGULAR ± 5'
 LIMITS APPLY BEFORE FINISHING
 DO NOT SCALE THIS PRINT

CRITICAL CHARACTERISTIC FLAGS PER GRAYHILL SPEC. SOP2338	
	-- CRITICAL CHARACTERISTIC FLAG
	-- Cpk REQUIRED
	-- S.P.C. FLAG (CONTROL CHART REQ'D ON FEATURE SPECIFIED)

FINISH	SEE NOTE 1	APPROVED DATE	JMK 1-18-55
MATERIAL	BRASS ALLOY #283	CHECKED DATE	JMK 1-18-55
NAME	TEST JACK ASSY.	DRAWN DATE	JMK 1-18-55
CAGE NO.	81073	CADAM DRAWING	31YY1001-X, P.01, 1, 1
A SIZE	DWG. NO. 31YY1001-X	ISSUE	P
SCALE	4:1	SHEET	1 OF 1

SALES PART NO.	TEST JACK PART NO.	DIM "A"	DIM "B"	P.C. BOARD THICKNESS
31-1	31C1012-1	.105	.355	1/16"
31-2	31C1012-2	.135	.385	3/32"
31-3	31C1012-3	.165	.415	1/8"

Obsolete
 Obsolete

NOTES:

1. FINISH: SILVER .0003/.0005 UNDER GOLD .00002 MIN.