

Excellent Integrated System Limited

Stocking Distributor

Click to view price, real time Inventory, Delivery & Lifecycle Information:

[Grayhill, Inc.](#)
[55D30-01-1-AJN](#)

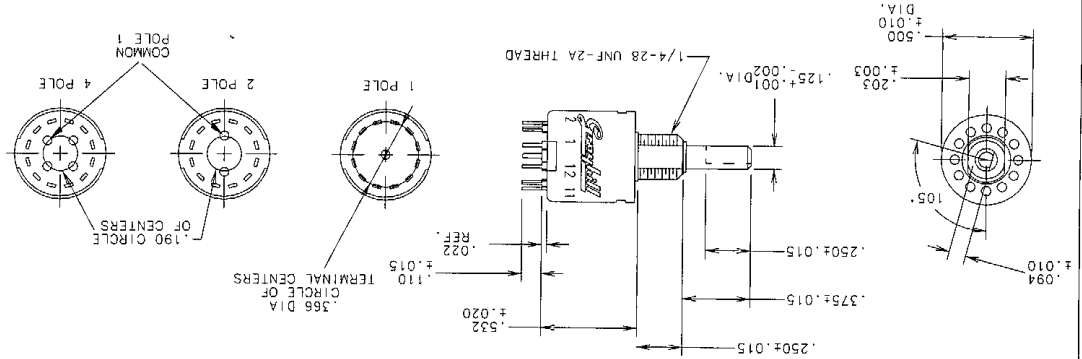
For any questions, you can email us directly:
sales@integrated-circuit.com

SCALE		SHEET 1 OF 1	
SIZE	B	DWG. NO.	55D30-X
ISSUE	M	CADAM DRAWING	55D30-X-001
GRAYHILL STANDARD		CUSTOMER NAME & PART NO.	JJP 1-4-82 VN 3-28-83
GRAYHILL, INC.		INDEXING:	30.
551 MILLSTONE AVE. LA GRANGE, IL 60525 PHONE (708) 354-1040		SD/PRM:	"DP"
SPEC. FEATURE:		STYLE:	"DP"
DRAWN DATE		CHECKED DATE	1-4-82 VN 3-28-83
REV. #		ISSUE APP/DATE	DESCRIPTION
34816	L	PPG	REDRAWN IN CADAM CSR 9-29-03
A	VN	JJP	ORIGINAL

ALL REVISIONS TO THIS DRAWING MUST BE MADE ON THE CAD SYSTEM

PART NUMBER
 55D30-01-X-AJX
 NUMBER OF POLES
 ADJUSTABLE POSITIONS
 CONTACT TYPE
 (N=NONSHORTING, S=SHORTING)

FINAL SWITCH ASSEMBLY
 (THIS ILLUSTRATION IS TYPICAL)



- SWITCH DESCRIPTION
- ONE DECK.
 - 1, 2, OR 4 POLES.
 - 12 POSITIONS.
 - SHORTING OR NON-SHORTING.
 - FLAT ALIGNMENT OPPOSITE POINT.
 - POINT OF CONTACT OF POLE #1.
 - STOP PINS AND SILVER STICKER SHIPPED LOOSE.