

## Excellent Integrated System Limited

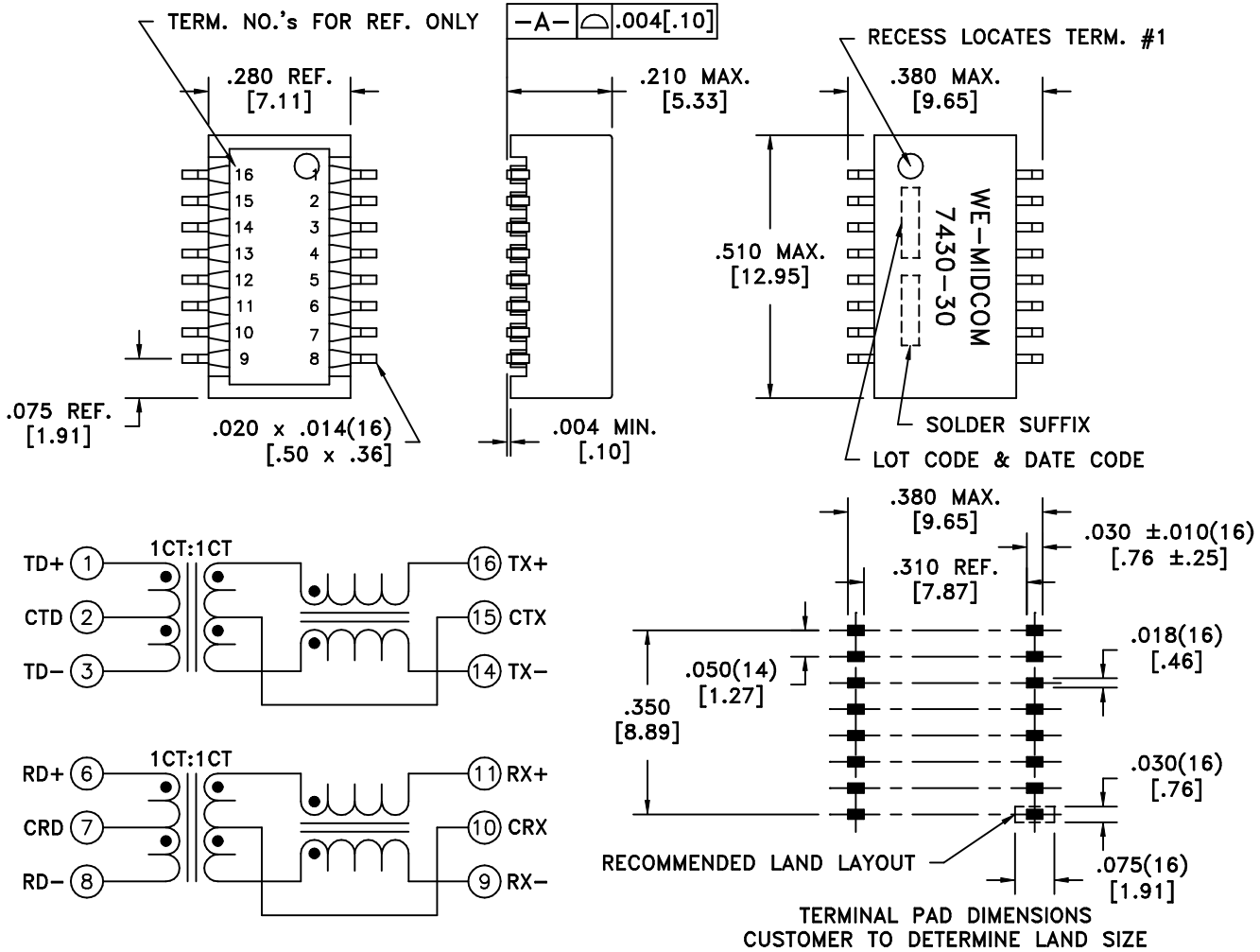
Stocking Distributor

Click to view price, real time Inventory, Delivery & Lifecycle Information:

[Würth Electronics Inc](#)  
[7490100111](#)

For any questions, you can email us directly:  
[sales@integrated-circuit.com](mailto:sales@integrated-circuit.com)

SOLDER SUFFIX	CUSTOMER TERMINAL	RoHS	LEAD(Pb)-FREE
LF1	Sn96%, Ag4%	Yes	Yes



**ELECTRICAL SPECIFICATIONS @ 25°C unless otherwise noted:**

- INDUCTANCE: 350uH min., 100kHz, 100mV, 8mADC, 16-14; 11-9, Lp.
- DIELECTRIC RATING: 1500Vrms, 1 minute tested by applying 1800Vrms for 1 second between 1-16(tie 1+6, 16+11).
- TURNS RATIO & POLARITY: (1-3):(16-14) = 1:1, ±2%.  
(6-8):(11-9) = 1:1, ±2%.
- INSERTION LOSS: -1.1dB max., 500k - 100MHz.
- RETURN LOSS: -18dB min., 500k - 30MHz.  
-16dB min., 30M - 45MHz.  
-14dB min., 45M - 60MHz.  
-12dB min., 60M - 80MHz.
- CROSSTALK: -35dB min., 1M - 100MHz.
- DCMR: -30dB min., 500k - 100MHz.
- CMRR: -30dB min., 500k - 100MHz.
- OPERATING TEMPERATURE RANGE: -40°C to +105°C.
- COPLANARITY: All 16 terminals must lie on a plane within .004 [.10] of Surface A after lead tinning.