

## Excellent Integrated System Limited

Stocking Distributor

Click to view price, real time Inventory, Delivery & Lifecycle Information:

[Wurth Electronics Inc](#)  
[749020111](#)

For any questions, you can email us directly:

[sales@integrated-circuit.com](mailto:sales@integrated-circuit.com)

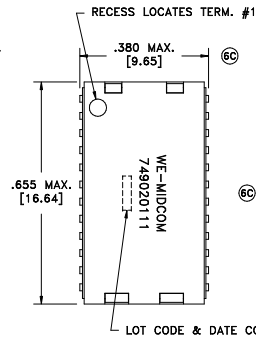
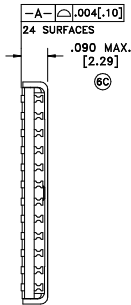
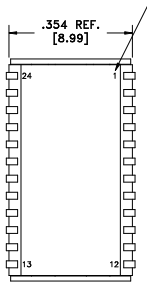
CUSTOMER TERMINAL	RoHS	LEAD(Pb)-FREE
Sn96%, Ag4%	Yes	Yes

more than you expect



Midcom

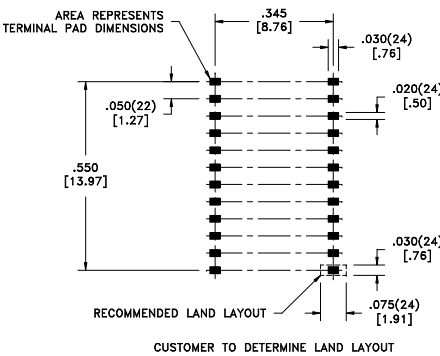
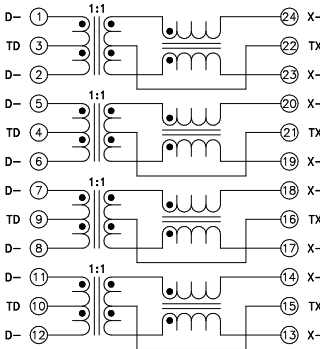
TERM. NO.'s FOR REF. ONLY



LOT CODE & DATE CODE

ELECTRICAL SPECIFICATIONS @ 25°C unless otherwise noted:

PARAMETER	TEST CONDITIONS	VALUE
DIELECTRIC	1-24 tie(1+4+7+10, 15+18+21+24) 1800Vrms, 1 second	1500Vrms, 1 minute
URNS RATIO	(1-2):(24-23)	1:1, ±2%
URNS RATIO	(5-6):(20-19)	1:1, ±2%
URNS RATIO	(7-8):(18-17)	1:1, ±2%
URNS RATIO	(11-12):(14-13)	1:1, ±2%
INSERTION LOSS	300k - 100MHz	-1.0dB max.
RETURN LOSS	500k - 40MHz	-18dB min.
RETURN LOSS	40M - 60MHz	-16dB min.
RETURN LOSS	60M - 80MHz	-12dB min.
RETURN LOSS	80M - 100MHz	-10dB min.
CROSSTALK	300k - 100MHz	-35dB min.
DCMR	30MHz	-43dB min.
DCMR	60MHz	-37dB min.
DCMR	100MHz	-33dB min.



GENERAL SPECIFICATIONS:

OPERATING TEMPERATURE RANGE: 0°C to +70°C.

COPLANARITY: All 24 terminals must lie on a plane within .004 [.10] of Surface A after lead tinning.

REV.	DATE	Packaging Specifications Method: <b>Tape &amp; Reel</b> PKG-0626		Tolerances unless otherwise specified: Angles: ±1°      Decimals: ±.005 [.13] Fractions: ±1/64      Footprint: ±.005 [.13]	DRAWING TITLE <b>TRANSFORMER</b> Gigabit	PART NO. <b>749020111</b>
6C	2/11	www.we-online.com/midcom	CONVENTIONAL PLACEMENT	This drawing is dual dimensioned. Dimensions in brackets are in millimeters.	eiSos p/n: 749020111	
6B	8/08					SPECIFICATION SHEET 1 OF 1
6A	8/07	SEE REVISION SHEET FOR REVISION LEVEL				