

Excellent Integrated System Limited

Stocking Distributor

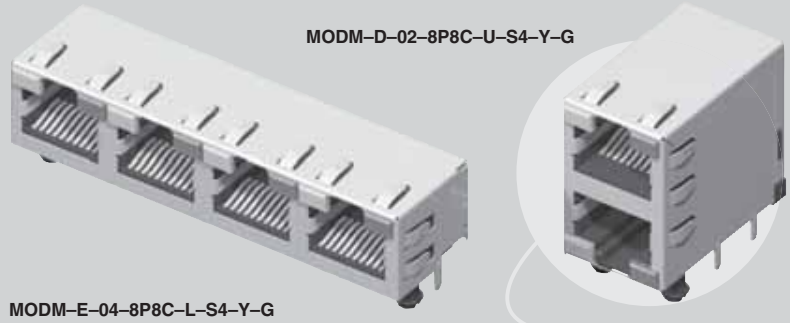
Click to view price, real time Inventory, Delivery & Lifecycle Information:

[Samtec, Inc.](#)

[MODM-D-02-8P8C-U-S4-G-G](#)

For any questions, you can email us directly:

sales@integrated-circuit.com



MODM-D, MODM-E SERIES

GANGED MODULAR JACKS WITH LEDs

SPECIFICATIONS

For complete specifications and recommended PCB layouts see www.samtec.com?MODM-D or www.samtec.com?MODM-E

Insulator Material:
MODM-D: PBT
Glass Filled
MODM-E: Nylon 46
Contact Material:
Phosphor Bronze
Shield Material:
Copper Alloy
Plating:
Gold on Contacts,
Nickel on Shield, Gold on Tails
Operating Temp Range:
-25°C to +90°C
Current Rating:
1.5 A per contact
Voltage Rating:
120 VAC max
Contact Resistance:
20 mΩ max
Minimum Cycles:
500
System Applications:
CAT3
Packaging:
Packaged and shipped in Bulk Packaging Trays; Trays suitable for automation are available upon request.
RoHS Compliant:
Yes
Lead-Free Solderable:
Yes (Wave Solder only)

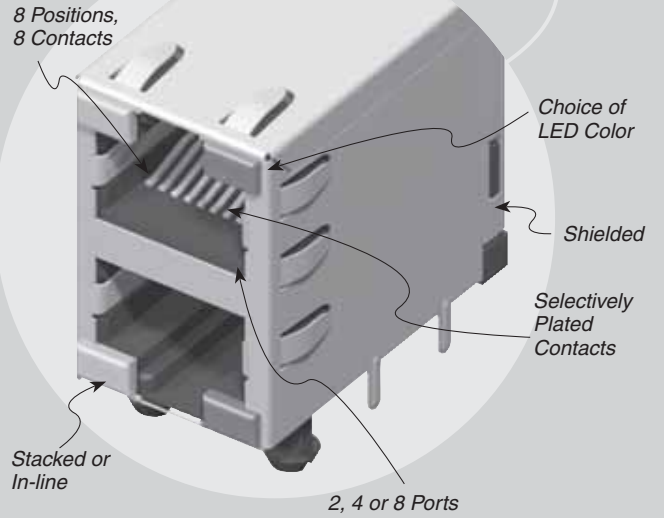


MODS-D & -E FEATURES

Category	CAT3
Orientation	Side Entry, Ganged
Shielding	Shielded, with or without Panel Grounds
Termination	Through-Hole
Tab Orientation	Top Up, Bottom Down (-D)
Tab Orientation	Tab Up (-E)
Profile (-D)	(25,40mm) 1.000" +pnl gnds
Profile (-E)	(13,70mm) .545" +pnl gnds
LEDs	Standard
RJ45 Stacked	MODM-D-XX-8P8C-X-XX-X-X
RJ45 In-line	MODM-E-XX-8P8C-X-XX-X-X

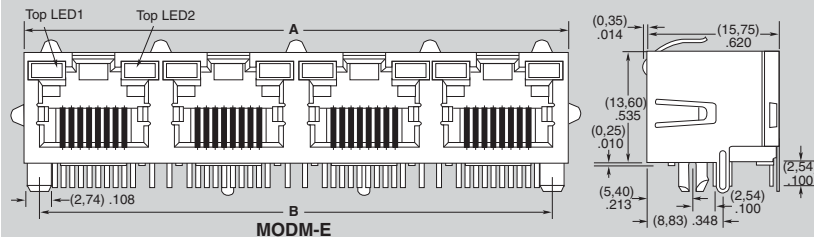
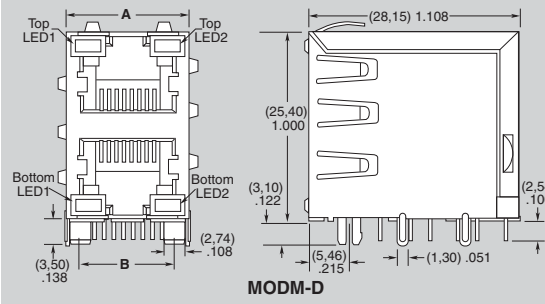
APPLICATION SPECIFIC OPTION

Other plating options available.
Call Samtec.



MODM - **TYPE** - **NO. OF PORTS** - **8P8C** - **PLATING** - **SHIELD OPTION** - **LED 1** - **LED 2**

- TYPE:** -D = Stacked, -E = In-line
- NO. OF PORTS:** -02, -04, -08
- 8P8C:** -8P8C = 8 Positions 8 Contacts
- PLATING:** -L = 15μ" (0,38 μm) Gold on Mating Area, Gold Flash on Tails; -U = 50μ" (1,27 μm) Gold on Mating Area, Gold Flash on Tails
- SHIELD OPTION:** -S = Shielded (No Panel Grounds); -S4 = Shielded with Top, Bottom and Side Panel Grounds
- LED 1:** -G = Green, -Y = Yellow, -1* = Green/Orange, -3* = Green/Red, -4* = Yellow/Red, -6* = Yellow/Green
- LED 2:** -N = No LED (-E only) (LED1-N requires LED2-N)



NO. OF PORTS	-D		-E	
	A	B	A	B
-02	(16,51) .650	(12,70) .500	(32,26) 1.270	(28,45) 1.120
-04	(32,26) 1.270	(28,45) 1.120	(63,80) 2.512	(59,94) 2.359
-08	(63,65) 2.506	(59,95) 2.360	(126,75) 4.990	(122,94) 4.840

Due to technical progress, all designs, specifications and components are subject to change without notice.

WWW.SAMTEC.COM