

Excellent Integrated System Limited

Stocking Distributor

Click to view price, real time Inventory, Delivery & Lifecycle Information:

[JKL Components Corporation](#)
[BXA-12565-6M](#)

For any questions, you can email us directly:
sales@integrated-circuit.com

MATING CONNECTORS:

REF.	DESCRIPTION	PART NUMBER	MFG.
CN-1	INPUT HOUSING TERMINAL	IL-Z-5S-S125C3 IL-Z-C3-A-15000	JAE
CN-1	INPUT HARNESS	BXC-10546	JKL
CN-2	OUTPUT HOUSING TERMINAL	M63M83-04 M63C84-1	MITSUM
CN-2	OUTPUT HARNESS	BXC-10632	JKL

PERFORMANCE SPECIFICATIONS:

DESCRIPTION	SYM	MIN	TYP	MAX	UNITS
INPUT VOLTAGE	VIN	8.0	12.0	16.0	V DC
INPUT CURRENT	IIN	270	320	370	MA DC
OUTPUT VOLTAGE	VL	900	1000	---	V RMS
OUTPUT CURRENT	IL	5.0	6.0	7.0	MA RMS
OSC. FREQUENCY	F0	45	55	65	K HZ

TESTED WITH 3mm X 220mm LAMP,
AT 25°C, V = 12.0 V ± 0.1 V.

CONTROL FUNCTIONS:

CNT (INPUT PIN 3) IS USED AS AN INHIBIT FUNCTION, "+V" OR "OPEN" EQUALS OFF. "GND" EQUALS ON.

VR1 AND VR2 (INPUT PINS 1 AND 2) ARE USED TO PROVIDE, THE DIMMING FUNCTION, 0 OHMS EQUALS 100% OUTPUT, 10K OHMS EQUALS 40% OUTPUT.

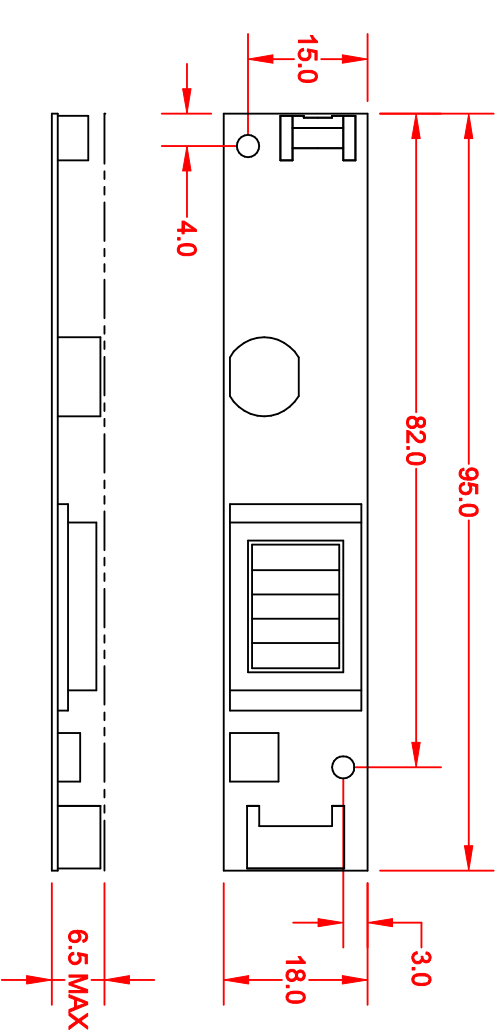
NOTE: THE SWITCH AND POTENTIOMETER SHOWN ON THE WIRING DIAGRAM ARE NOT A PART OF THE BXA-12565-6M INVERTER. THESE PARTS ARE AVAILABLE FROM MOST ELECTRONIC PARTS DISTRIBUTORS.

OPERATING CHARACTERISTICS:

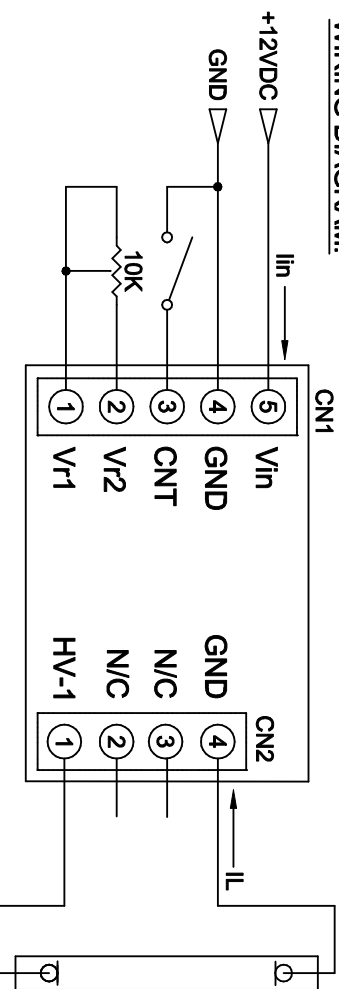
INPUT VOLTAGE RANGE: 8.0 TO 16.0 Vdc
 OUTPUT DIMMING RANGE: 100% TO 40%
 OPERATING TEMP. RANGE: 0°C TO +60°C
 STORAGE TEMP. RANGE: -20°C TO +70°C
 ABSOLUTE MAXIMUM RATINGS:

INPUT VOLTAGE: 18.0 Vdc
 LAMP SIZE: Ø3mm X 240mm

REV.	DESCRIPTION/ECO NO.	DATE
ENG.	RELEASED TO CAD	8/5/04



WIRING DIAGRAM:



 METRIC THIRD ANGLE PROJECTION	DIMENSIONS ARE IN MILLIMETERS		TOLERANCE UNLESS OTHERWISE SPECIFIED	
	1 PL +/-	2 PL +/-	ANGLE +/-	0
DRAWN BY: L. WENGSTROM APP'D BY: J.K. DATE: 8/5/04	SIZE: A SCALE: NONE	PGM. NO.: 55335 DRAWING NO.: RELEASED DATE: 8/5/04	JKL COMPONENTS CORPORATION TITLE: 12 VDC INPUT, DIMMING 100% - 40% CCFL INVERTER	
- CAD DRAWING - MANUAL REVISIONS NOT PERMITTED		REV. NO.: DATE:	REV. NO.: DATE:	SHEET NO.: 1 OF 1