

## Excellent Integrated System Limited

Stocking Distributor

Click to view price, real time Inventory, Delivery & Lifecycle Information:

[Mueller Electric Co.](#)  
[BU-16-0](#)

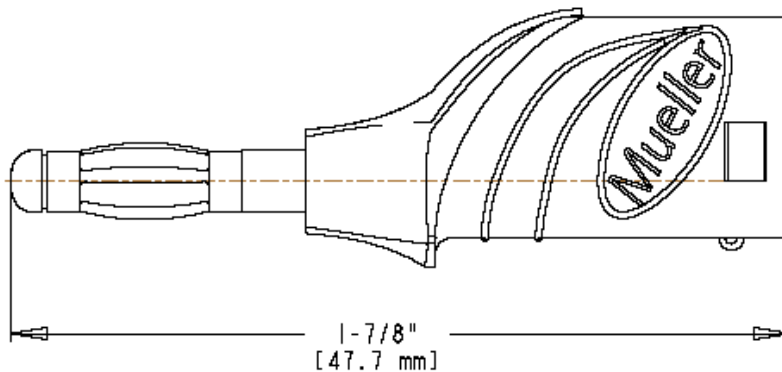
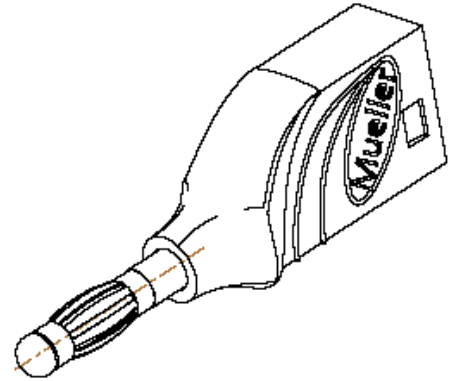
For any questions, you can email us directly:

[sales@integrated-circuit.com](mailto:sales@integrated-circuit.com)



**Part Number:** BU-16-  
**Description:** Unshrouded Stackable  
Banana Plug

2607



- Unshrouded Stackable Banana Plug, Nine leaf cage spring
- Material: Cage Spring: Nickel plated beryllium copper; Insulator: Nylon
- Length: 1.88"(47.7 mm)
- \*Std. Colors: -0 Black, -2 Red
- Rating: 1000 Volts, 15 Amps (Hand free)
- Wires up to #18 AWG wires may be easily soldered to plug
- RoHS Compliant