

Excellent Integrated System Limited

Stocking Distributor

Click to view price, real time Inventory, Delivery & Lifecycle Information:

[KEMET](#)

[MMK15105J100B04L4BULK](#)

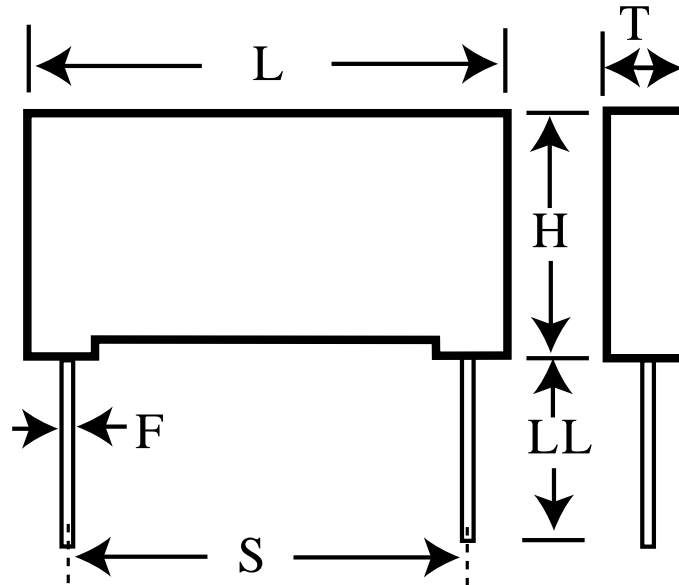
For any questions, you can email us directly:

sales@integrated-circuit.com

MMK15105J100B04L4BULK

aka F601BD105J100C

Capacitor, film, 1 uF, +/-5% Tol, -55/+100C, General Purpose, 100V@85C, Lead Spacing=15 mm



Dimensions (mm)

Specifications

ID	Dimension	Tolerance	Manufacturer:	KEMET
L	18	max	Brand:	Evox
H	10.5	max	Capacitance:	1 uF
T	5.5	max	Temperature Range:	-55/+100C
S	15	+/-0.4	Rated Temperature:	85C
LL	5	nom	Voltage @ rated temp:	100V
F	0.8	nom	Voltage AC:	63VAC
			Tolerance:	+/-5%
			Body Type:	Radial Box
			Construction:	Wound
			Application:	General Purpose
			Dissipation Factor @ 1 kHz:	0.8%
			Dissipation Factor @ 10 kHz:	1.5%
			Insulation Resistance:	5 GOhm
			Inductance:	6 nH
			Maximum dVdT:	8v/us
			Miscellaneous Electrical:	CECC 30401-042, IEC 60384-2, DIN 44122 series(MMK)
			Package Kind:	Bulk
			Package Quantity:	1000