

Excellent Integrated System Limited

Stocking Distributor

Click to view price, real time Inventory, Delivery & Lifecycle Information:

[KEMET](#)

[PHE844RD6470KR06L2](#)

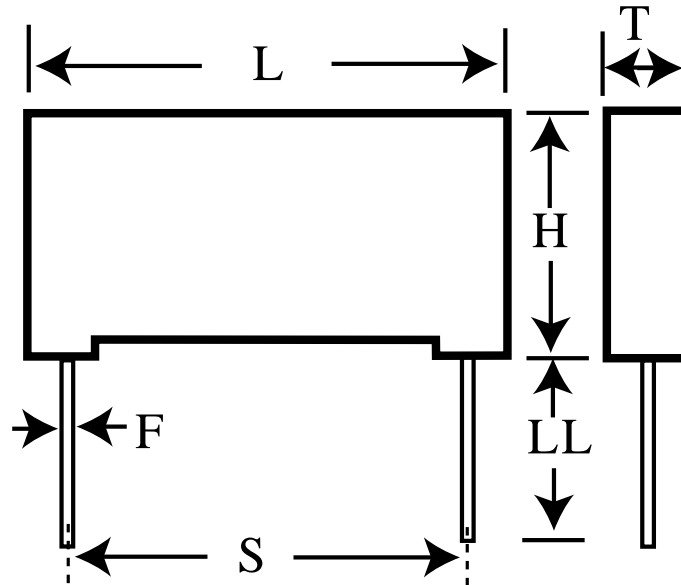
For any questions, you can email us directly:

sales@integrated-circuit.com

PHE844RD6470KR06L2

aka F844DY474K440C PHE844RD6470KD19R06L2

Capacitor, film, 0.47 uF, +/-10% Tol, -40/+105C, Safety: X1, 440VAC,
 Lead Spacing=22.5 mm



Dimensions (mm)

Specifications

ID	Dimension	Tolerance
L	26	max
H	24.5	max
T	15.5	max
S	22.5	+/-0.4
LL	6	nom
F	0.8	nom

Manufacturer:	KEMET
Brand:	Rifa
Capacitance:	0.47 uF
Temperature Range:	-40/+105C
Rated Temperature:	105C
Voltage @ rated temp:	1000V
Voltage AC:	440VAC
Tolerance:	+/-10%
Body Type:	Radial Box
Construction:	Wound
Application:	Safety: X1
Dissipation Factor @ 1 kHz:	0.1%
Dissipation Factor @ 10 kHz:	0.4%
Insulation Resistance:	21.28 GOhm
Maximum dVdT:	100v/us
UL_1414:	250V
UL_1283:	480V
IEC_60384-14:	440V
EN_132400:	440V
C_22.2_NO.1:	250V
C_22.2_NO.8:	480V
Miscellaneous Electrical:	PHE844
Package Kind:	Bulk
Package Type:	Tray
Package Quantity:	176