

Excellent Integrated System Limited

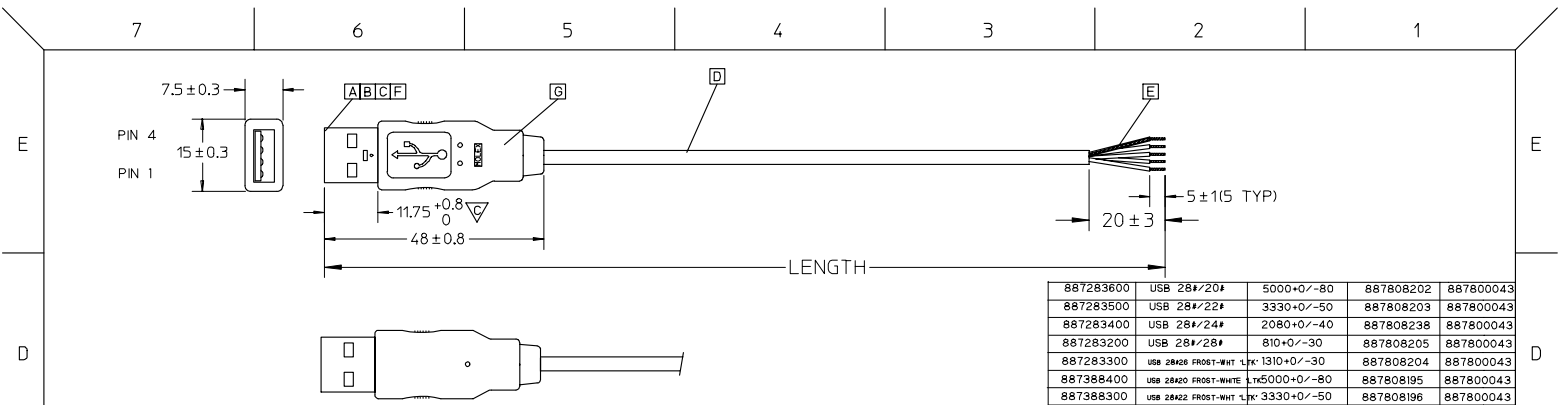
Stocking Distributor

Click to view price, real time Inventory, Delivery & Lifecycle Information:

[Molex Connector Corporation](#)
[0887283500](#)

For any questions, you can email us directly:

sales@integrated-circuit.com



887283600	USB 284/204	5000+0/-80	887808202	887800043	
887283500	USB 284/224	3330+0/-50	887808203	887800043	
887283400	USB 284/244	2080+0/-40	887808238	887800043	
887283200	USB 284/284	810+0/-30	887808205	887800043	
887283300	USB 28428 FROST-WHT LTK	1310+0/-30	887808204	887800043	
887388400	USB 28420 FROST-WHITE LTK	5000+0/-80	887808195	887800043	
887388300	USB 28422 FROST-WHT LTK	3330+0/-50	887808196	887800043	
887388200	USB 28424 FROST-WHT LTK	2080+0/-40	887808197	887800043	
887388100	USB 28428 FROST-WHT LTK	1310+0/-30	887808198	887800043	
887388000	USB 28428 FROST-WHT LTK	810+0/-30	887808199	887800043	
887283602	USB 284/204	5000+0/-80	887808230	887800019	
887283502	USB 284/224	3330+0/-50	887808229	887800019	
887283402	USB 284/244	2080+0/-40	887808240	887800019	
887283202	USB 284/284	810+30/-0	887808218	887800019	
887283302	USB 284/264	1310+0/-30	887808228	887800019	
887388401	USB 28/22 LTK	5000+0/-80	887808216	887800059	
887388301	USB 28/22 LTK	3330+0/-50	887808216	887800059	
887388201	USB 28/26 LTK	2080+0/-40	887808215	887800059	
887388101	USB 28/26 LTK	1310+0/-30	887808214	887800059	
887388001	USB 28/28 LTK	810+0/-30	887808213	887800059	
	MOLEX P/N	DESCRIPTION	LENGTH	CABLE P/N	PVC P/N

NOTE:1
1. INNER MOLD WITH PE RESIN 887800008.
OUTER MOLD WITH PVC RESIN P/N:SEE TABLE
2. ELECTRICAL PERFORMANCE:
2.1 DIELECTRIC STRENGTH
2.2 INSULATION RESISTANCE
2.3 CONDUCTIVE RESISTANCE
2.4 CABLE IMPEDANCE
2.5 ATTENUATION
2.6 PROPAGATION DELAY
2.7 SIGNAL PAIR SKEW
REFER TO ES-003 ELECTRICAL SPECIFICATION FOR DETAILS
3. THIS PRODUCT MUST MEET MX RoHS COMPLIANCE.
4. TERMINAL APPLICATION:
20-24AWG USE TERMINAL P/N 887809090
26-28AWG USE TERMINAL P/N 887809091

SHELL	SHIELDING	BRAID WIRE
4	GROUND	BLACK
3	+DATA	GREEN
2	-DATA	WHITE
1	VCC	RED
CONTACT POSITION	SIGNAL NAME	WIRE COLOR

ITEM	DESCRIPTION	L	QTY.
F	TERMINAL		
E	HST F OD=1.5mm BLK. 887805000	15	1
D	USB CABLE		1
C	REAR SHELL 887809084		1
B	FRONT SHELL 887809083		1
A	CRIMP HOUSING 887809086		1

ENTER DESCRIPTION EC NO: DG2006-0027 DRAWN: JFZHENG CHKD: APPR: BLAU 2007/10/22 2007/10/24	QUALITY SYMBOLS ▽=0 ▽=0	GENERAL TOLERANCES (UNLESS SPECIFIED)		DIMENSION STYLE	SCALE	DESIGN UNITS	THIRD ANGLE PROJECTION	
				MM ONLY	---	METRIC		
				DRAWN BY	DATE	TITLE		
				DATE	DATE	USB A-PIGTAIL CABLE ASSY		
		ANGULAR ±---°		CHECKED BY	DATE	MOLEX INCORPORATED		
		DRAFT WHERE APPLICABLE MUST REMAIN WITHIN DIMENSIONS		APPROVED BY	DATE	DOCUMENT NO.	SHEET NO.	
				BLAU	2007/07/12	SD-88738-001	1 OF 1	
				MATERIAL NO. SEE TABLE				
				SIZE THIS DRAWING CONTAINS INFORMATION THAT IS PROPRIETARY TO MOLEX INCORPORATED AND SHOULD NOT BE USED WITHOUT WRITTEN PERMISSION				