

Excellent Integrated System Limited

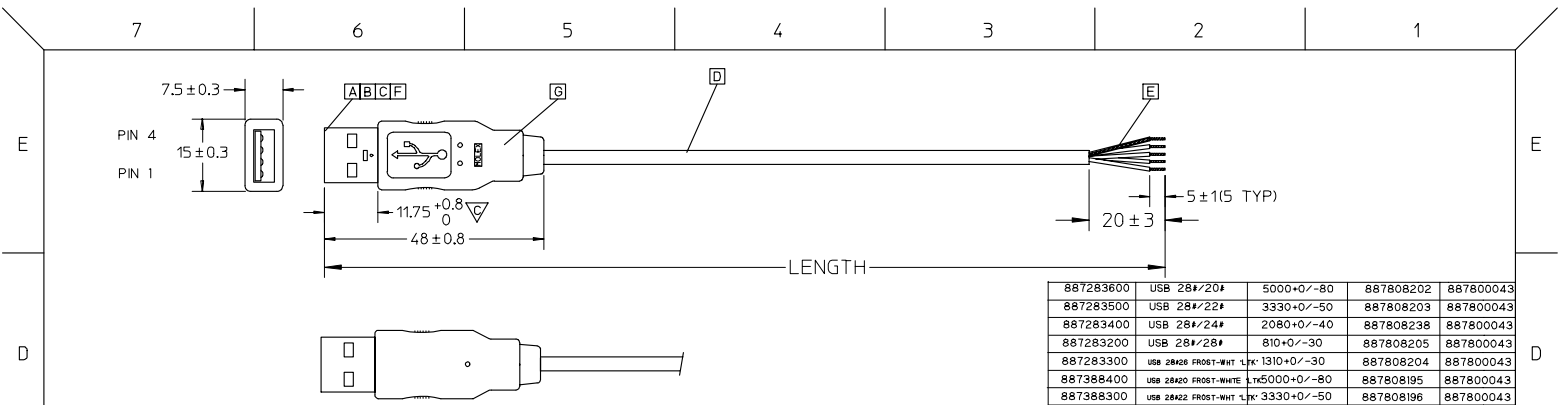
Stocking Distributor

Click to view price, real time Inventory, Delivery & Lifecycle Information:

[Molex Connector Corporation](#)
[0887388300](#)

For any questions, you can email us directly:

sales@integrated-circuit.com



| MOLEX P/N | DESCRIPTION | LENGTH | CABLE P/N | PVC P/N |
|-----------|---------------------------|------------|-----------|-----------|
| 887283600 | USB 28#/20# | 5000+0/-80 | 887808202 | 887800043 |
| 887283500 | USB 28#/22# | 3330+0/-50 | 887808203 | 887800043 |
| 887283400 | USB 28#/24# | 2080+0/-40 | 887808238 | 887800043 |
| 887283200 | USB 28#/28# | 810+0/-30 | 887808205 | 887800043 |
| 887283300 | USB 28#28 FROST-WHT LTK | 1310+0/-30 | 887808204 | 887800043 |
| 887388400 | USB 28#20 FROST-WHITE LTK | 5000+0/-80 | 887808195 | 887800043 |
| 887388300 | USB 28#22 FROST-WHT LTK | 3330+0/-50 | 887808196 | 887800043 |
| 887388200 | USB 28#24 FROST-WHT LTK | 2080+0/-40 | 887808197 | 887800043 |
| 887388100 | USB 28#28 FROST-WHT LTK | 1310+0/-30 | 887808198 | 887800043 |
| 887388000 | USB 28#28 FROST-WHT LTK | 810+0/-30 | 887808199 | 887800043 |
| 887283602 | USB 28#/20# | 5000+0/-80 | 887808230 | 887800019 |
| 887283502 | USB 28#/22# | 3330+0/-50 | 887808229 | 887800019 |
| 887283402 | USB 28#/24# | 2080+0/-40 | 887808240 | 887800019 |
| 887283202 | USB 28#/28# | 810+30/-0 | 887808218 | 887800019 |
| 887283302 | USB 28#/26# | 1310+0/-30 | 887808228 | 887800019 |
| 887388401 | USB 28/22 LTK | 5000+0/-80 | 887808216 | 887800059 |
| 887388301 | USB 28/22 LTK | 3330+0/-50 | 887808216 | 887800059 |
| 887388201 | USB 28/26 LTK | 2080+0/-40 | 887808215 | 887800059 |
| 887388101 | USB 28/26 LTK | 1310+0/-30 | 887808214 | 887800059 |
| 887388001 | USB 28/28 LTK | 810+0/-30 | 887808213 | 887800059 |

NOTE:1
1. INNER MOLD WITH PE RESIN 887800008.
OUTER MOLD WITH PVC RESIN P/N:SEE TABLE
2. ELECTRICAL PERFORMANCE:
2.1 DIELECTRIC STRENGTH
2.2 INSULATION RESISTANCE
2.3 CONDUCTIVE RESISTANCE
2.4 CABLE IMPEDANCE
2.5 ATTENUATION
2.6 PROPAGATION DELAY
2.7 SIGNAL PAIR SKEW
REFER TO ES-003 ELECTRICAL SPECIFICATION FOR DETAILS
3. THIS PRODUCT MUST MEET MX RoHS COMPLIANCE.
4. TERMINAL APPLICATION:
20-24AWG USE TERMINAL P/N 887809090
26-28AWG USE TERMINAL P/N 887809091

| SHELL | SHIELDING | BRAID WIRE |
|------------------|-------------|------------|
| 4 | GROUND | BLACK |
| 3 | +DATA | GREEN |
| 2 | -DATA | WHITE |
| 1 | VCC | RED |
| CONTACT POSITION | SIGNAL NAME | WIRE COLOR |

| ITEM | DESCRIPTION | L | QTY. |
|------|-------------------------------|----|------|
| F | TERMINAL | | |
| E | HST F OD=1.5mm BLK. 887805000 | 15 | 1 |
| D | USB CABLE | | 1 |
| C | REAR SHELL 887809084 | | 1 |
| B | FRONT SHELL 887809083 | | 1 |
| A | CRIMP HOUSING 887809086 | | 1 |

| | | | | | | | | |
|---|-------------------------------|--|--|---|--------------|--------------------------|------------------------|--|
| ENTER DESCRIPTION EC NO: DG2006-0027 DRAWN: JFZHENG CHKD: HXIE APPR: BLAU 2007/10/27 2007/10/24 2007/10/24 | QUALITY SYMBOLS ▽=0 ▽=0 | GENERAL TOLERANCES (UNLESS SPECIFIED) | | DIMENSION STYLE | SCALE | DESIGN UNITS | THIRD ANGLE PROJECTION | |
| | | | | MM ONLY | --- | METRIC | | |
| | | | | DRAWN BY | DATE | TITLE | | |
| | | | | DATE | DATE | USB A-PIGTAIL CABLE ASSY | | |
| | | ANGULAR ±---° | | APPROVED BY | DATE | MOLEX MOLEX INCORPORATED | | |
| | | DRAFT WHERE APPLICABLE MUST REMAIN WITHIN DIMENSIONS | | MATERIAL NO. | DOCUMENT NO. | SHEET NO. | | |
| | | | | SEE TABLE | SD-88738-001 | 1 OF 1 | | |
| | | | | THIS DRAWING CONTAINS INFORMATION THAT IS PROPRIETARY TO MOLEX INCORPORATED AND SHOULD NOT BE USED WITHOUT WRITTEN PERMISSION | | | | |