

Excellent Integrated System Limited

Stocking Distributor

Click to view price, real time Inventory, Delivery & Lifecycle Information:

[Molex Connector Corporation](#)
[0638017240](#)

For any questions, you can email us directly:
sales@integrated-circuit.com

Information Sheet for Terminal Oiler 63801-7240

Terminal Oiler For TM2000 Side Loading Terminals	molex	
	Application Tooling Information Sheet	Order No. 63801-7240

Terminal Oiler

To install a Terminal Oiler (Order No. 63801-7240) to any FineAdjust or Mini-Mac Applicator mounted in the TM3000 Press use the following procedure.

1. Open the Front Guard.
2. Remove lid assembly from the oiler jar.
3. Remove upper oiler nut from lid assembly.
4. Place the oiler mounting bracket (63801-7230) over tube and replace upper nut and tighten securely.
5. Place lid assembly with mounting bracket on the oiler jar and turn until hand tight. Do not over tighten.
6. Mount terminal oiler assembly with bracket on the side of the Plate-Quick Change (63801-7222) installed on the TM-3000 Press. See Figure 1.
7. Close the Front Guard.
8. Recommended oil:

Product Name: Transdraw B-19

Vendor: Mid-Town Petroleum
 9707 South 76th Avenue
 Bridgeview, IL 60455
 Toll-Free: 877-255-3533
 Direct: 708-599-8700
 Fax: 708-599-1040
 E-mail: sales@midtownoil.com
 www.midtownoil.com
 www.precisionlubricantsinc.com

9. For replacement wicks use part no. 63890-0727 (package of 25).

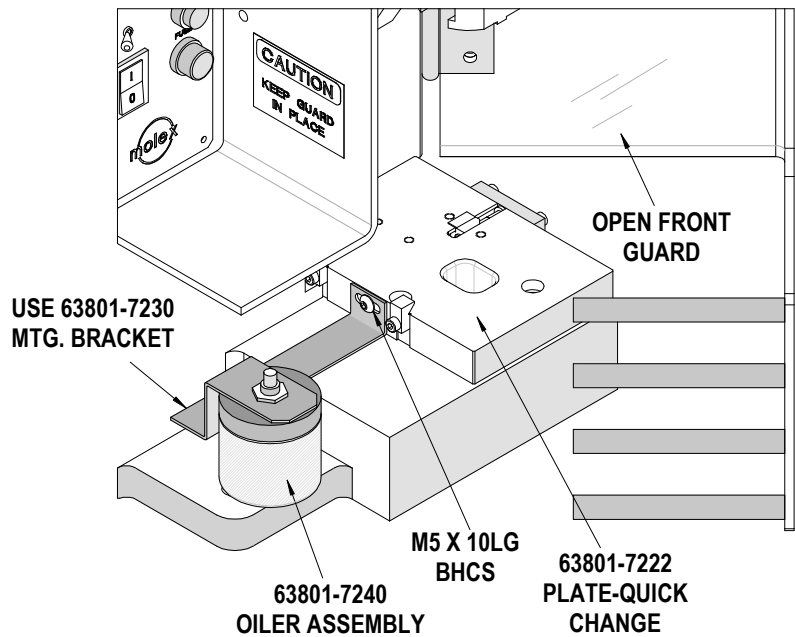


Figure 1

Visit our Web site at <http://www.molex.com>

Information Sheet for Terminal Oiler 63801-7240

Terminal Oiler For TM2000 Rear Loading Terminals		 Order No. 63801-7240
	Application Tooling Information Sheet	

Terminal Oiler

To install a Terminal Oiler (Order No. 63801-7240) to any FineAdjust or Mini-Mac Applicator mounted in the TM3000 Press use the following procedure.

1. Remove the Rear Guard (63801-7281).
2. Remove lid assembly from the oiler jar.
3. Remove upper oiler nut from lid assembly.
4. Place the oiler mounting bracket (63801-7230) over tube and replace upper nut and tighten securely.
5. Place lid assembly with mounting bracket on the oiler jar and turn until hand tight. Do not over tighten.
6. Mount terminal oiler assembly with bracket on the back of the Plate-Quick Change (63801-7222) installed on the TM-3000 Press. See Figure 1.
7. Replace the Rear Guard.
8. Recommended oil:

Product Name: Transdraw B-19

Vendor: Mid-Town Petroleum
 9707 South 76th Avenue
 Bridgeview, IL 60455
 Toll-Free: 877-255-3533
 Direct: 708-599-8700
 Fax: 708-599-1040
 E-mail: sales@midtownoil.com
 www.midtownoil.com
 www.precisionlubricantsinc.com

9. For replacement wicks use part no. 63890-0727 (package of 25).

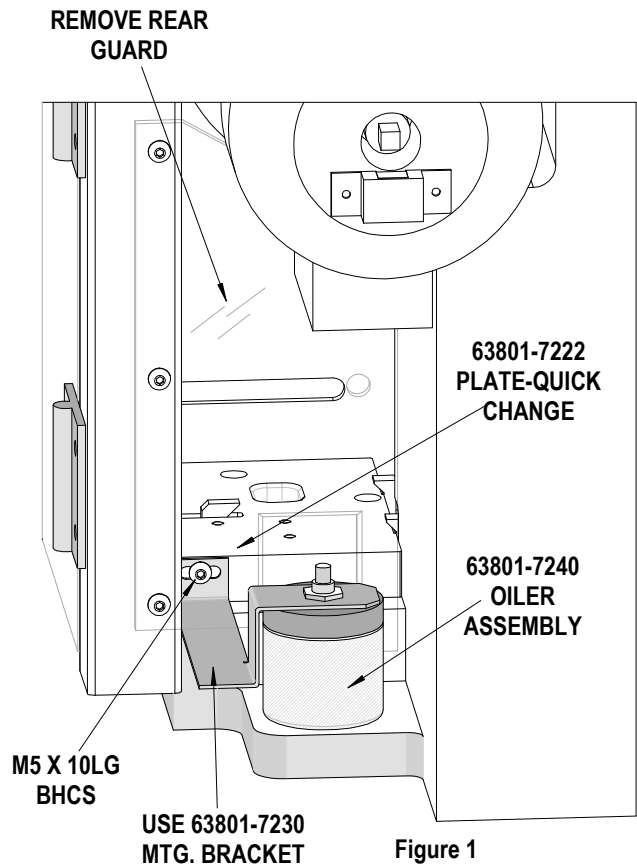


Figure 1

Visit our Web site at <http://www.molex.com>

Information Sheet for Terminal Oiler 63801-7240

Terminal Oiler For TM2000 With Guard 63800-8310		
	Application Tooling Information Sheet	

Terminal Oiler

To install a Terminal Oiler (Order No. 63801-7240) to any FineAdjust or Mini-Mac Applicator mounted in the TM2000 Press with Guard (Part No. 63800-8310), use the following procedure.

1. Remove the Guard 63800-8310.
2. Remove lid assembly from the oiler jar.
3. Remove upper oiler nut from lid assembly.
4. Place oiler mounting bracket over tube and replace upper nut and tighten securely.
5. Place lid assembly with mounting bracket on the oiler jar and turn until hand tight. Do not over tighten.
6. Mount terminal oiler assembly with bracket on the frame of the FineAdjust or Mini-Mac Applicator. See Figure 1
7. Replace the Guard.
8. Recommended oil:

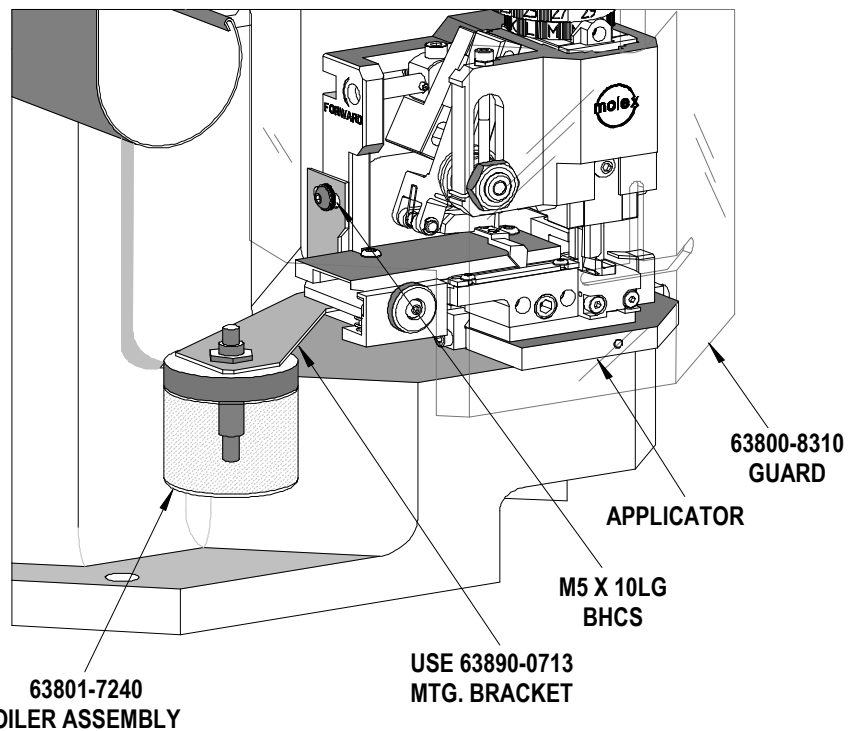


Figure 1

Product Name: Transdraw B-19

Vendor: Mid-Town Petroleum
 9707 South 76th Avenue
 Bridgeview, IL 60455
 Toll-Free: 877-255-3533
 Direct: 708-599-8700
 Fax: 708-599-1040
 E-mail: sales@midtownoil.com
 www.midtownoil.com
 www.precisionlubricantsinc.com

9. For replacement wicks use part no.63890-0727 (package of 25).

Visit our Web site at <http://www.molex.com>

Information Sheet for Terminal Oiler 63801-7240

Terminal Oiler For TM2000 Press With Guard 63800-8300		
	Application Tooling Information Sheet	Order No. 63801-7240

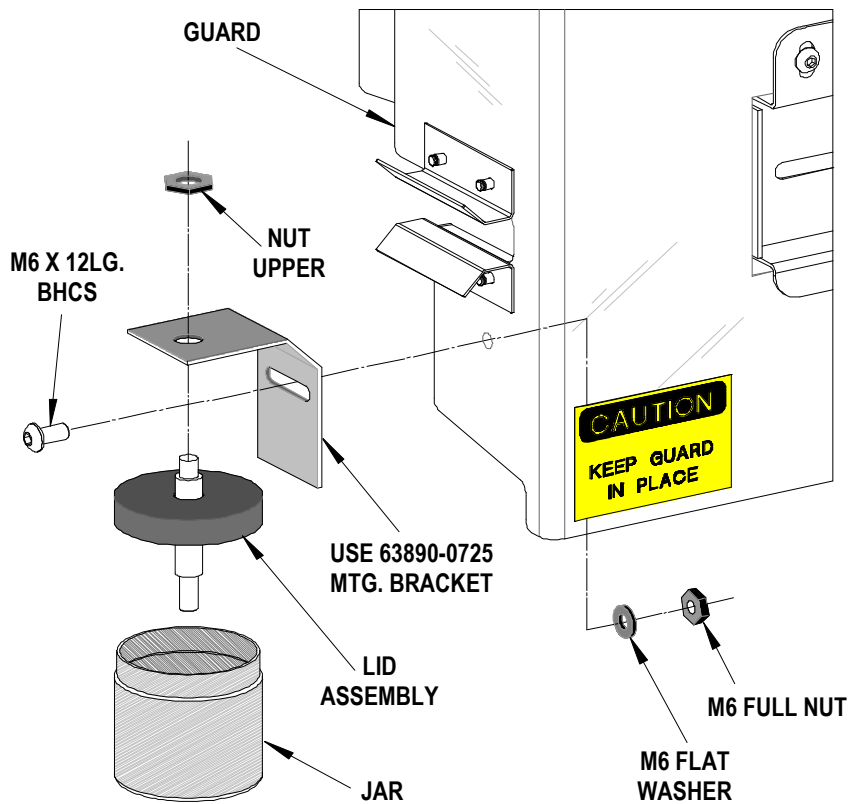
Terminal Oiler

To install a Terminal Oiler (Order No. 63801-7240) to a TM2000 Press, use the following procedure.

1. Remove lid assembly from the oiler jar.
2. Remove upper oiler nut from lid assembly.
3. Place oiler mtg. bracket over tube and replace upper nut and tighten securely.
4. Place lid assembly with mtg. bracket on the oiler jar and turn until hand tight. Do not over tighten.
5. Mount terminal oiler assembly with bracket on the guard of the TM2000 Press.
6. Recommended lubricant oil:

Product Name: Transdraw B-19

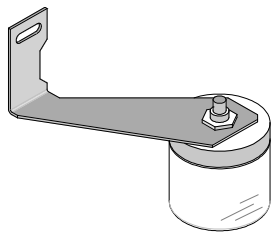
Vendor: Mid-Town Petroleum
 9707 South 76th Avenue
 Bridgeview, IL 60455
 Toll-Free: 877-255-3533
 Direct: 708-599-8700
 Fax: 708-599-1040
 E-mail:
 sales@midtownoil.com
 www.midtownoil.com
 www.precisionlubricantsinc.com



7. For replacement wicks use part no. 63890-0727 (package of 25).

Visit our Web site at <http://www.molex.com>

Information Sheet for Terminal Oiler 63801-7240

Terminal Oiler For FineAdjust And Mini-Mac Applicators		 Order No. 63801-7240
	Application Tooling Information Sheet	

Terminal Oiler

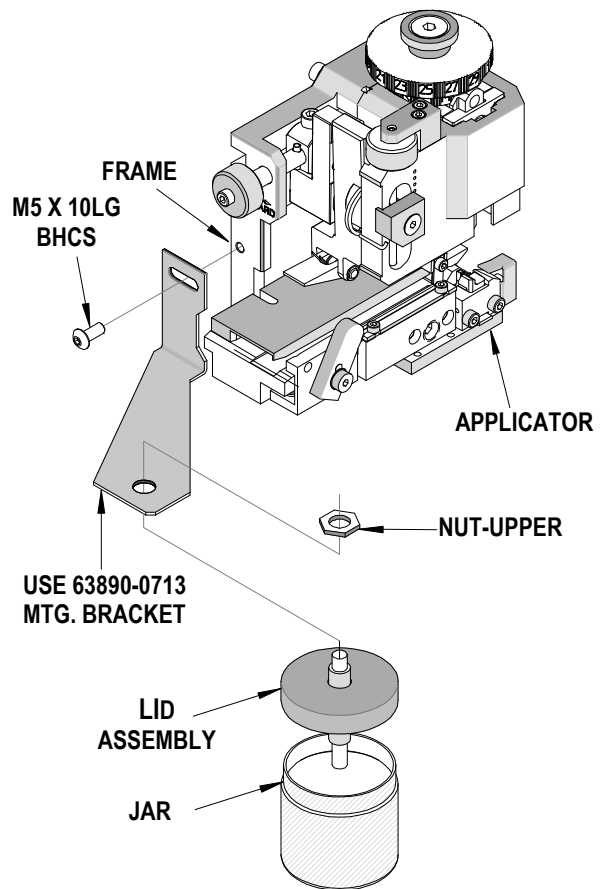
To install a Terminal Oiler (Order No. 63801-7240) to any FineAdjust or Mini-Mac Applicator, use the following procedure.

1. Remove lid assembly from the oiler jar.
2. Remove upper oiler nut from lid assembly.
3. Place oiler mtg. bracket over tube and replace upper nut and tighten securely.
4. Place lid assembly with mounting bracket on the oiler jar and turn until hand tight. Do not over tighten.
5. Mount terminal oiler assembly with bracket on the frame of the FineAdjust or Mini-Mac Applicator.
6. Recommended lubricant oil:

Product Name: Transdraw B-19


Vendor: Mid-Town Petroleum
 9707 South 76th Avenue
 Bridgeview, IL 60455
 Toll-Free: 877-255-3533
 Direct: 708-599-8700
 Fax: 708-599-1040
 E-mail: sales@midtownoil.com
 www.midtownoil.com
 www.precisionlubricantsinc.com

7. For replacement wicks use part no. 63890-0727 (package of 25).



Visit our Web site at <http://www.molex.com>

Information Sheet for Terminal Oiler 63801-7240

Terminal Oiler For TM40/TM42 Press		 Order No. 63801-7240
	Application Tooling Information Sheet	

Terminal Oiler

If your TM42 Presses was produced before 1996, it did not include provisions to mount an oiler.

To install a Terminal Oiler (Order No. 63801-7240) to your press you will need to add a mounting hole. Locate this hole on the left side of the frame, with the front of press facing you, under the track.

Use the following procedure to install the oiler.

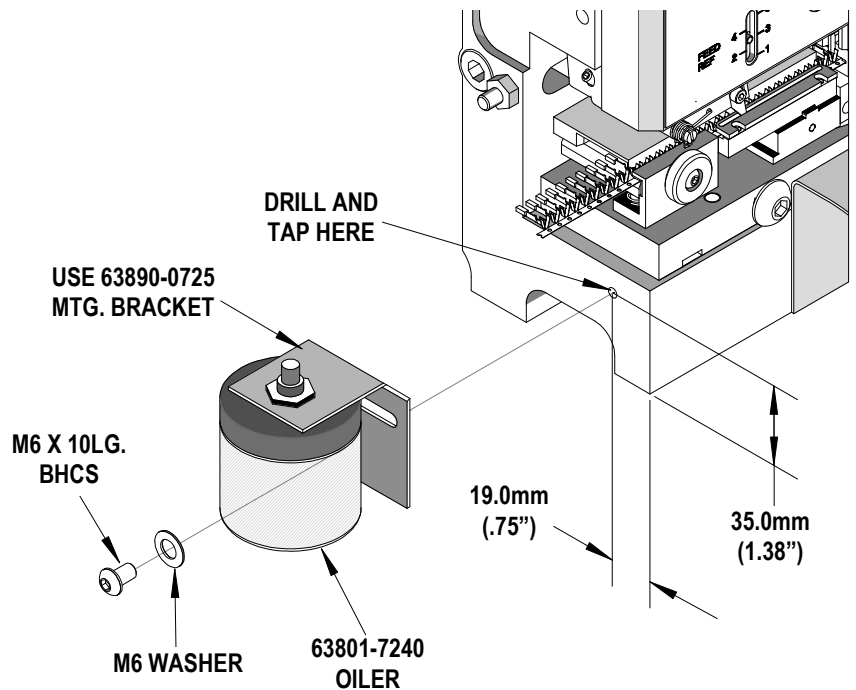
1. Drill a 4.20mm (.165") diameter x 17.00mm (.62") deep in the location shown in the figure shown.
2. Tap a M6-1.0 x 12.00mm (.47") deep.
3. Use a M6 BHCS and M6 flat washer to secure oiler onto frame.

OR

4. Drill .159" (#21) x .62" deep.
5. Tap #10-32 x .62" deep.
6. Use #10-32 x 0.50" BHSC.
7. Recommended lubricant oil:

Product name: Transdraw B-19

Vendor: Mid-Town Petroleum
 9707 South 76th Avenue
 Bridgeview, IL 60455
 Toll-Free: 877-255-3533
 Direct: 708-599-8700
 Fax: 708-599-1040
 E-mail: sales@midtownoil.com
 www.midtownoil.com
 www.precisionlubricantsinc.com



8. For replacement wicks use part no. 63890-0727 (package of 25).

Visit our Web site at <http://www.molex.com>