

Excellent Integrated System Limited

Stocking Distributor

Click to view price, real time Inventory, Delivery & Lifecycle Information:

[Molex Connector Corporation](#)
[0731000002](#)

For any questions, you can email us directly:

sales@integrated-circuit.com

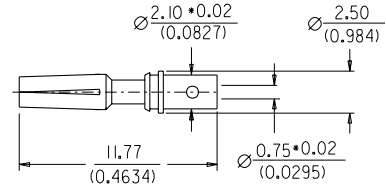
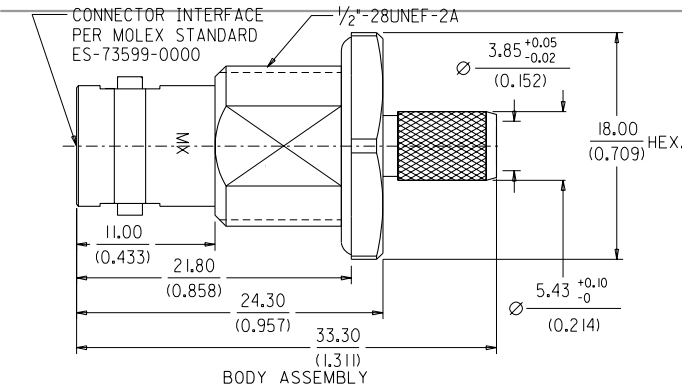
ENG. NO.

EDP NO.

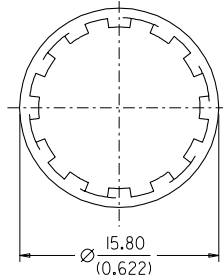
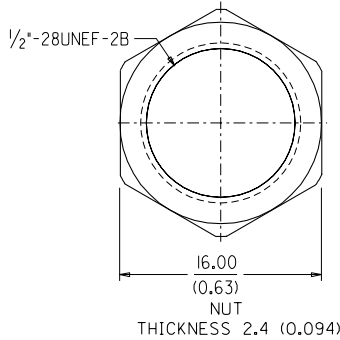
SIMILAR ITEM

PROJECT NO.

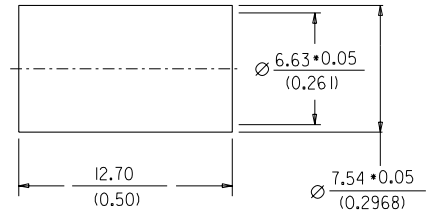
DO NOT SCALE DRAWING



CENTER CONTACT



WASHER THICKNESS 0.5(0.019)



FERRULE

CABLE ATTACHMENT:
INNER CONTACT-----CRIMP(1.69 HEX.)
OR SOLDER
OUTER CONDUCTOR-----CRIMP(6.48 HEX.)
ASSEMBLY INSTRUCTION--AS-73597-0039

FINISH :
CONNECTOR BODY-----NICKEL PLATING
CENTER CONTACT-----GOLD PLATING
FERRULE -----NICKEL PLATING
NUT-----NICKEL PLATING
WASHER-----NICKEL PLATING

CONSTRUCTION:
CONNECTOR BODY-----BRASS
DIELECTRIC-----TEFLON
CENTER CONTACT-----PHOSPHOR BRONZE
FERRULE -----BRASS
NUT-----BRASS
WASHER-----PHOSPHOR BRONZE

MECHANICAL & ELECTRICAL CHARACTERISTICS:
PER PRODUCT SPECIFICATION PS-73598-0001

MATERIAL & FINISH CHARACTERISTICS:
PER PRODUCT SPECIFICATION PS-73598-0001

PACKAGING:
INDIVIDUAL PLASTIC BAGS

MATERIAL : SEE NOTE		MOLEX	MOLEX TAIWAN LTD. (R.F. DIVISION)
FINISH : SEE NOTE			
SCALE : 4:1 UNIT : mm/(inch)		GENERAL TOLERANCES ANGLE ± 3° DIM. ± 0.25	
DRAWN BY : <i>M. Chen</i> 1993/03/22		DRW. NO. SDA-73100-0002	REV B
CHK'D BY :		TITLE : 75 OHMS BNC JACK STRAIGHT BULKHEAD RC59B/U,62A/U CRIMP/CRIMP	
LTR	REVISION RECORD	DR	CHK
		DATE	APPR'D BY : <i>[Signature]</i> 1993/03/22
STANDARD ITEM <input checked="" type="checkbox"/> YES <input type="checkbox"/> NO		SHEET OF	