

Excellent Integrated System Limited

Stocking Distributor

Click to view price, real time Inventory, Delivery & Lifecycle Information:

[Molex Connector Corporation](#)
[0731000015](#)

For any questions, you can email us directly:
sales@integrated-circuit.com

MATERIALS AND FINISHES:

COUPLING NUT ZINC ALLOY
PLATED NICKEL

BODY BRASS
PLATED NICKEL

INSULATOR TEFLON

CONTACT BRASS
PLATED GOLD

CRIMP TUBE BRASS
PLATED NICKEL

RETAINING RING BRASS
PLATED NICKEL

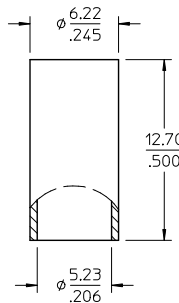
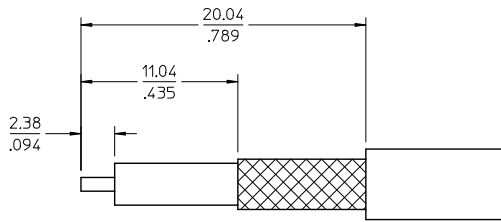
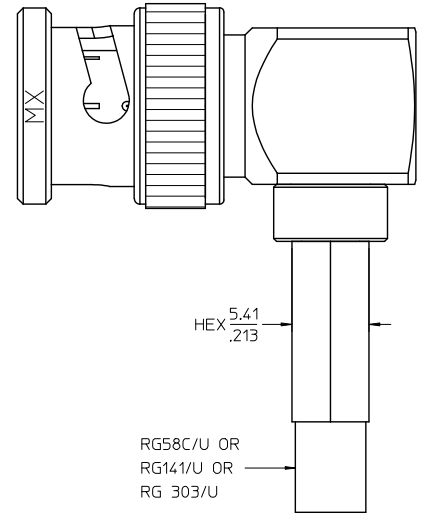
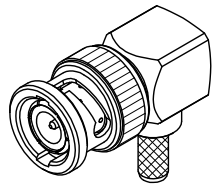
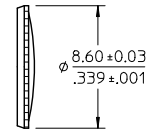
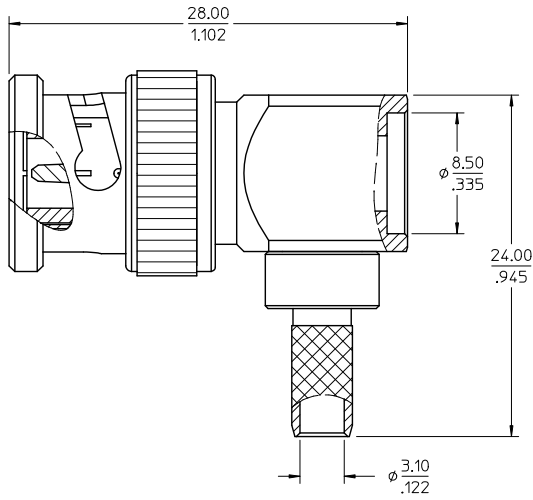
SPRING WASHER BERYLLIUM COPPER
PLATED NICKEL

WASHER BRASS
PLATED NICKEL

GASKET SILICONE RUBBER

COVER BRASS
PLATED NICKEL

PACKAGING: BY TRAY



PART # 73100-0015

RECOMMENDED CABLE STRIP DIMENSIONS

AS-73597-0010	ASSEMBLY INSTRUCTION
MIL-STD-348A, FIG. 301.1	INTERFACE
SPECIFICATION	DESCRIPTION

CHG: ADD PKG PER: PFI-E279 EC NO: URF2016-0091 DRAWING NO: 2015/08/06 CHKD: CHENG APPR: CHENG A2	QUALITY SYMBOLS ✓=0 △=0 ▽=0	GENERAL TOLERANCES (UNLESS SPECIFIED)	DIMENSION STYLE MM/IN	SCALE METRIC	DESIGN UNITS METRIC	THIRD ANGLE PROJECTION
		4 PLACES ± --- ± --- 3 PLACES ± --- ± --- 2 PLACES ± --- ± --- 1 PLACE ± --- ± --- 0 PLACE ± --- ± ---	DRAWN BY: RYEH CHECKED BY: KERRIE APPROVED BY: MHUANG	DATE: 2011/08/16 DATE: 2011/08/16 DATE: 2011/08/25	TITLE BNC PLUG R/A FOR RG58C/U, RG141/U, RG303/U BNC-P/CABLE molex	MATERIAL NO. 731000015