

Excellent Integrated System Limited

Stocking Distributor

Click to view price, real time Inventory, Delivery & Lifecycle Information:

[Molex Connector Corporation](#)
[0731000042](#)

For any questions, you can email us directly:

sales@integrated-circuit.com

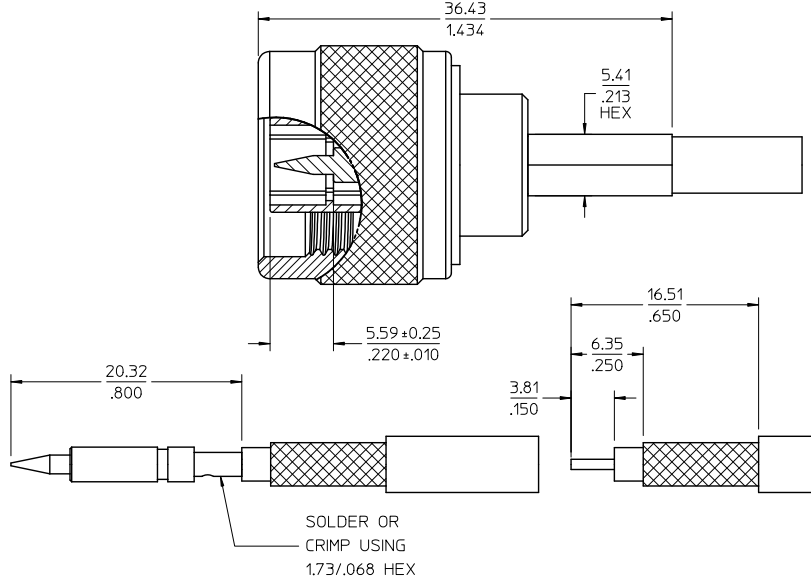
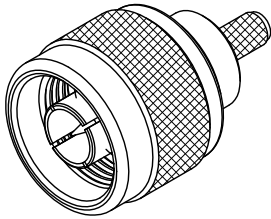
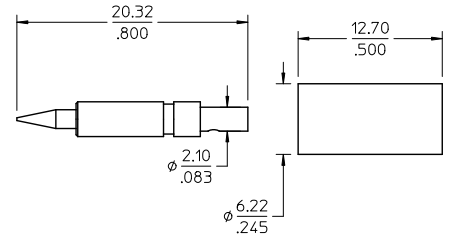
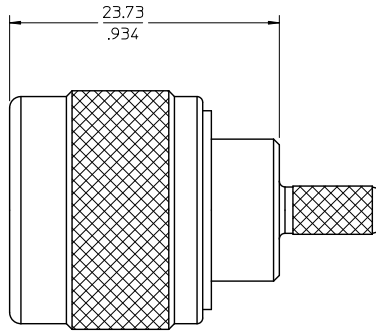
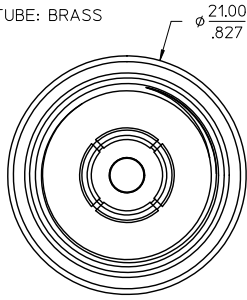
MATERIALS AND FINISHES

BODY, OUTER CONTACT, C'NUT, CRIMP TUBE: BRASS
PLATED NICKEL

CONTACT: BRASS
PLATED GOLD

GASKET: SILICONE RUBBER

SNAP RING: PHOSPHOR BRONZE



73276-2360	1 PIECE 73100-0042 PER BAG
73100-0042	STANDARD
PART NO.	PACKAGING
PS-89675-3220	PRODUCT SPECIFICATION
MIL-STD-348A, FIG. 304.1	INTERFACE
SPECIFICATION	DESCRIPTION

CHG: REDREW IN SD. ADDED P/N: 73276-2360 FOR SINGLE BAG OPTION ADDED ASSY INSTRS. EC NO: URF2011-0569 DRW: AROBERTSON 2011/03/31 CHK: SSS 2011/03/31 APPR: JWENER 2011/03/31	QUALITY SYMBOLS ▽=0 ▽=0	GENERAL TOLERANCES (UNLESS SPECIFIED) mm INCH 4 PLACES ± --- ± --- 3 PLACES ± --- ± --- 2 PLACES ± --- ± --- 1 PLACE ± --- ± --- ANGULAR ± 2°	DIMENSION STYLE MM/IN DRAWN BY: AROBERTSON DATE: 2011/03/31 CHECKED BY: SSS DATE: 2011/03/31 APPROVED BY: JWENER DATE: 2011/03/31	SCALE: INCH DESIGN UNITS: INCH THIRD ANGLE PROJECTION	TITLE: N PLUG STRAIGHT 50 OHM FOR RG58 CABLE N-PC MOLEX INCORPORATED	MATERIAL NO.: SEE TABLE DOCUMENT NO.: SD-73100-0042 SHEET NO.: 1 OF 1
		DRAFT WHERE APPLICABLE MUST REMAIN WITHIN DIMENSIONS			THIS DRAWING CONTAINS INFORMATION THAT IS PROPRIETARY TO MOLEX INCORPORATED AND SHOULD NOT BE USED WITHOUT WRITTEN PERMISSION	

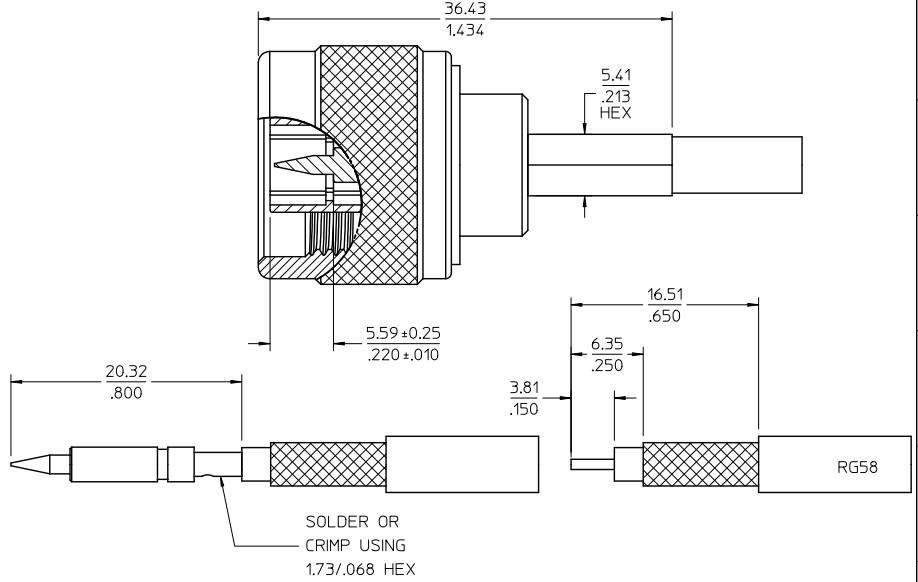
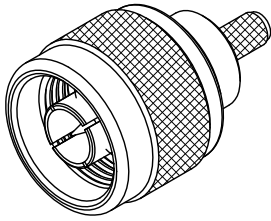
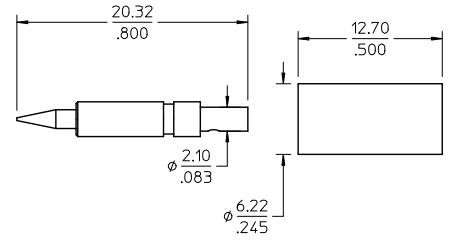
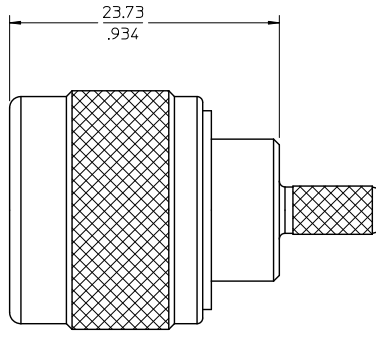
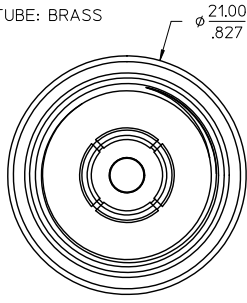
MATERIALS AND FINISHES

BODY, OUTER CONTACT, C'NUT, CRIMP TUBE: BRASS
PLATED NICKEL

CONTACT: BRASS
PLATED GOLD

GASKET: SILICONE RUBBER

SNAP RING: PHOSPHOR BRONZE



73276-2360	1 PIECE 73100-0042 PER BAG
73100-0042	STANDARD
PART NO.	PACKAGING
PS-89675-3220	PRODUCT SPECIFICATION
MIL-STD-348A, FIG. 304.1	INTERFACE
SPECIFICATION	DESCRIPTION

CHG: RELEASE DRAWING	EC NO: URF2011-0569	2011/03/31
	DRW: AROBERTSON	2011/03/31
	CHK: SSS	2011/03/31
	APPR: JWIENER	2011/03/31
REV	DESCRIPTION	
A		

QUALITY SYMBOLS	GENERAL TOLERANCES (UNLESS SPECIFIED)
▽=0	mm INCH
▽=0	4 PLACES ± --- ± ---
	3 PLACES ± --- ± ---
	2 PLACES ± --- ± ---
	1 PLACE ± --- ± ---
	ANGULAR ± 2 °

DIMENSION STYLE	SCALE	DESIGN UNITS	THIRD ANGLE PROJECTION
MM/IN		INCH	
DRAWN BY	DATE	TITLE	
AROBERTSON	2011/03/31	N PLUG STRAIGHT 50 OHM FOR RG58 CABLE N-PC	
CHECKED BY	DATE		
SSS	2011/03/31		
APPROVED BY	DATE		
JWIENER	2011/03/31		
MATERIAL NO.	DOCUMENT NO.		
SEE TABLE	SD-73276-236		

DRAFT WHERE APPLICABLE MUST REMAIN WITHIN DIMENSIONS	SIZE C	THIS DRAWING CONTAINS INFORMATION THAT IS PROPRIETARY TO MOLEX INCORPORATED AND SHOULD NOT BE USED WITHOUT WRITTEN PERMISSION
--	--------	---